

TIME FOR INSTALLATION

30 MINS. - 1 HOUR



EASY

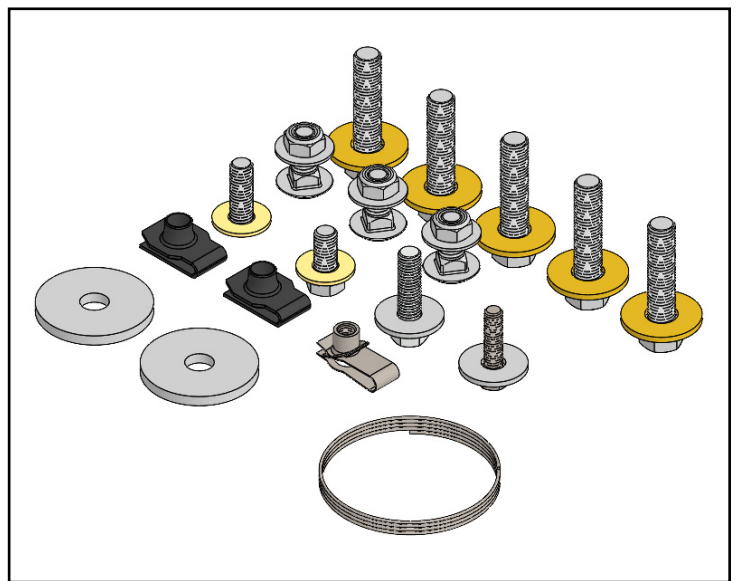
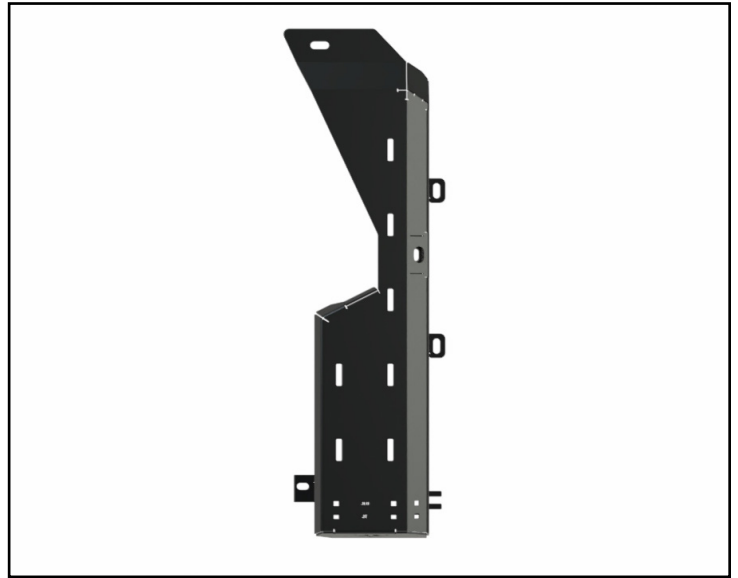


BASIC SKILLS  
REQUIRED

## 20+ Jeep Gladiator JT Exhaust Skid Plate Installation Guide

Contact RCI: [SALES@RCIOFFROAD.COM](mailto:SALES@RCIOFFROAD.COM)  
(970) 797-3089

Part Number	Description	Qty.
SM-01391	JT Exhaust Skid Bracket	1
SM-01389	JT Exhaust Skid Plate	1
SM-01352	JLU Fuel Bracket Side	2
SM-01353	JLU Fuel Standoff	1
SM-01400	JLU Exhaust Skid Plate Bracket	1
SM-01034	Mounting Plate #2	1
SM-01006	Mounting Plate #4	1
SM-01428	Mounting Plate #6	1
HK-00190	JLU Exhaust Guard Kit:	1
HW-00203	M12-1.5 X 50mm Hex Flange Grade 10.9	5
HW-00044	7/16 USS Flat Washer Zinc	3
HW-00022	1/2 USS Flat Washer Thru Hard	5
HW-00236	.4375-14 Nylon Insert Hex Nut - Thin	3
HW-00068	7/16-14 x 1 Carriage Bolt GR-5	3
HW-00023	M10-1.5 U-Nut .90mm	2
HW-00237	M10-1.5 x 30mm Flanged Button Head	1
HW-00028	Full Moon Spacer	2
HW-00026	3/8 USS Flat Washer Thru Hard	2
HW-00024	M8-1.25 U-Nut	1
HW-00025	M8-1.25 x 30mm Hex Flange Bolt	1
HW-00219	M10-1.5 x 20mm Flanged Hex Bolt	1
HW-00239	M10 Oversized Washer	2
HW-00021	M10-1.5 x 35mm Hex Flange Bolt	1
HW-00051	40in. Length Guide Wire	1



**Caution:** Use hand tools, impact wrenches may cause damage if over torqued.

**Read the entire notes and instructions before installation.**

# Installation Notes

## Installation Notes:

**RH** refers to the passenger side of the vehicle.

**LH** refers to the driver side of the vehicle.

Always use the proper torque specifications.

If applicable to this installation, torque specifications will be listed throughout the document.

Please read all of these instructions and familiarize yourself with the complete process **BEFORE** you begin.

## General Safety:

Park your car in a safe, well lit, level area.

Shut the engine off and remove the key from the ignition switch.

Make sure any remote start devices are properly disabled.

**ALWAYS** wear safety glasses.

Make sure the parking brake is applied until the vehicle is safely lifted and supported.

Whether lifting a vehicle using an automotive lift or a hydraulic jack, utilize the factory specified lift points.

Lifting a vehicle in an incorrect location can cause damage to the suspension/running gear.

**ALWAYS** support the vehicle with properly rated jack stands.

**ALWAYS** read and follow all safety information and warnings for the equipment you are using.

## Required Tools:

1/4", 3/8" & 1/2" Socket Sets & Ratchets

Floor Jack

Jack Stands

Combination Wrench Set

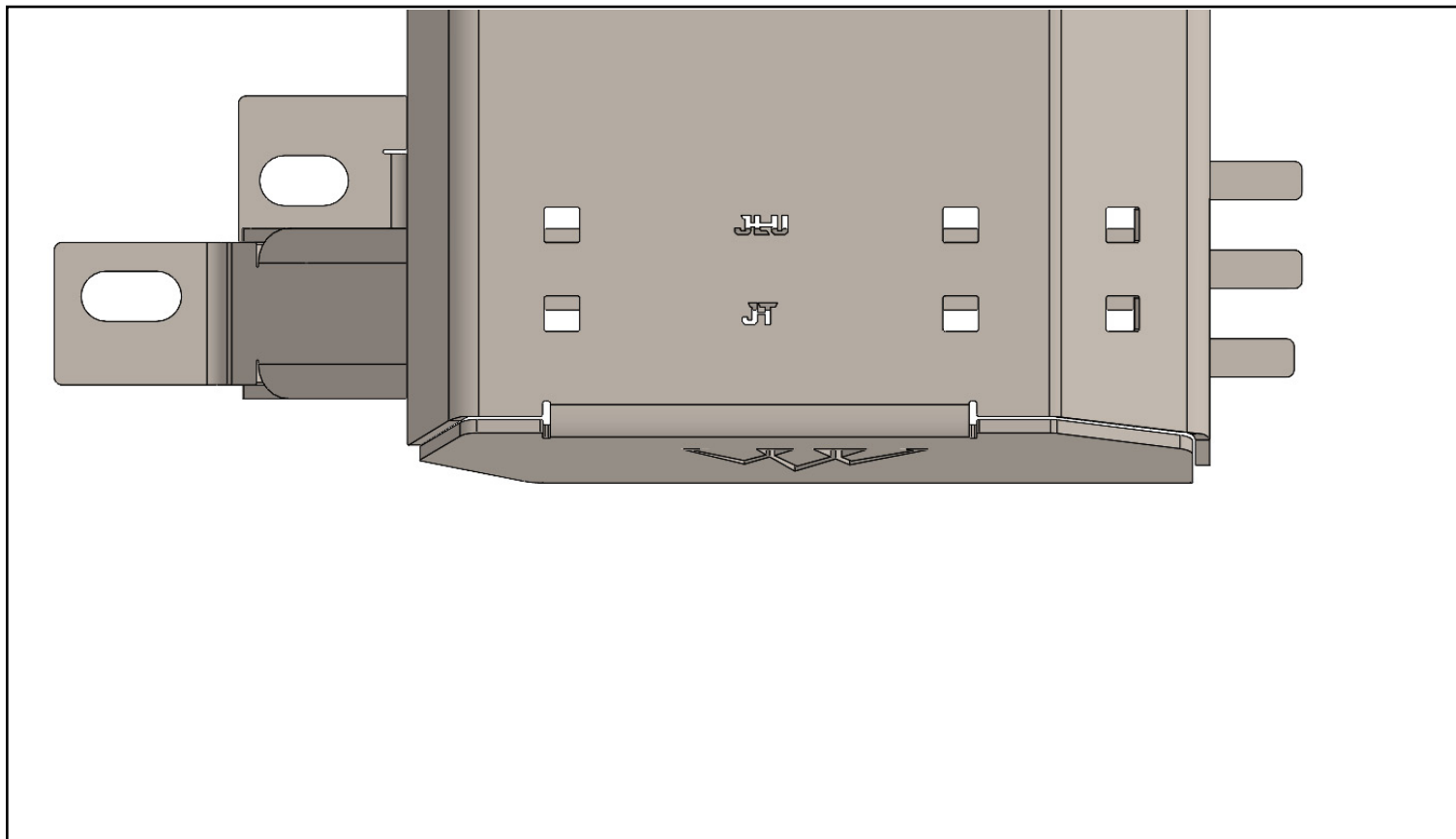
Plier Set

Torque Wrenches

## Installation Overview:

Before installation, remove all components and hardware from their packaging and verify that all the components are present.

## Installation Overview: Bracket Mounts



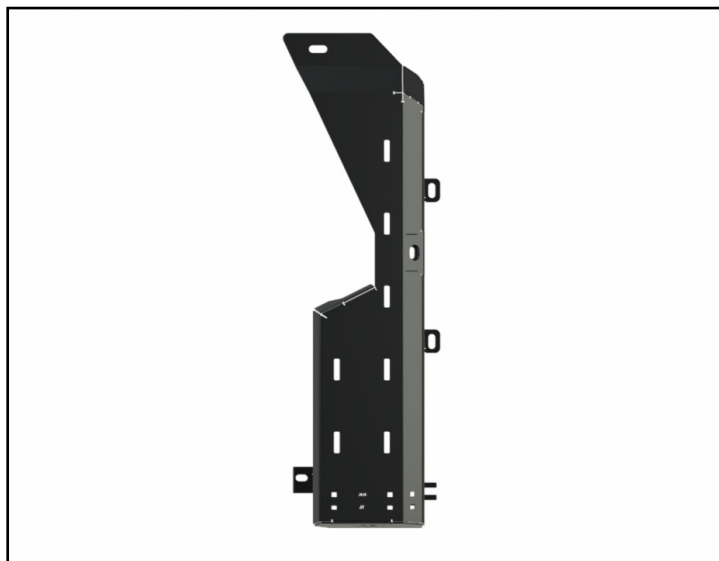
**For JLU installations only:** Mount the rearmost mounting bracket labeled with JLU as a part identifier, to the rear frontmost mounting location. The JLU identifiers should align when installing in place.

**For JT installations only:** Mount the rearmost mounting bracket labeled with JT as a part identifier, to the rear rearmost mounting location. The JT identifiers should align when installing in place.

## Section 1: Removing the Stock Components

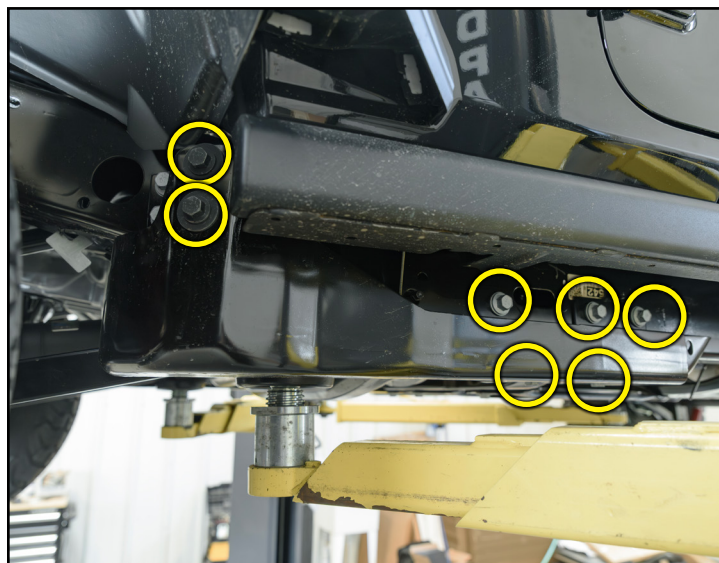
### Step #1

Remove all components and hardware from their packaging and verify that all the components are present.



### Step #2 18mm Socket & Ratchet

***2026+ JT installations only:*** If equipped with frame rail skid plates remove the bolts (circled in **YELLOW**) that secure them in place, then remove the frame rail skid plates from the vehicle.



## Section 2: Installing the New Exhaust Skid Plate

### Step #1 | 11/16" Socket & Ratchet

Install the provided JT rearmost mounting bracket, labeled with a JT part identifier, onto the JLU/JT exhaust skid plate at the rear frontmost mounting location. The part identifiers on the bracket should align with those on the skid plate when the bracket is installed correctly.

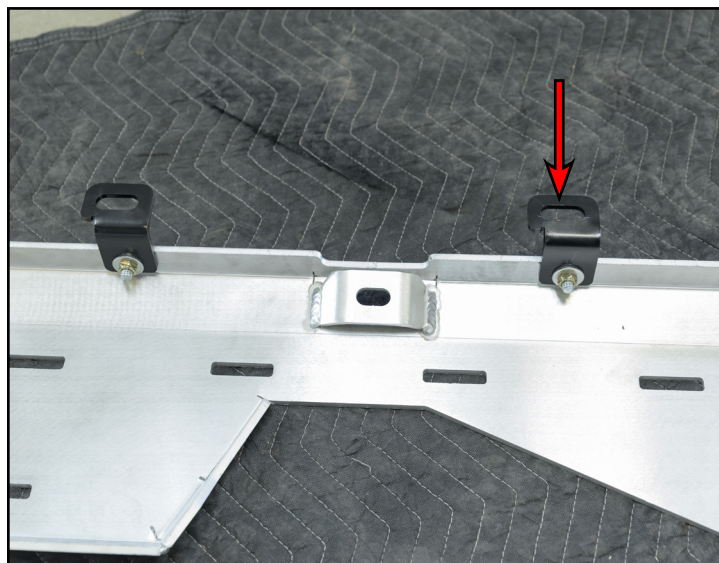
Secure the bracket to the skid plate with the provided 7/16" hardware (circled in **YELLOW**) and tighten them until snug.



### Step #2 | 9/16" Socket & Ratchet

Install the provided brackets onto the LH mounting locations on the exhaust skid plate and secure them with the provided hardware.

**NOTE:** If RCI rock sliders are installed, *or* if there is no mounting location on the LH frame rail, do not install the LH front mounting bracket (arrow).



## Section 2: Installing the New

### Step #3a 19mm Socket & Ratchet

Loosely install the provided M12 bolt (arrow) into the threaded mounting location where the slotted bracket on the new skid plate will align on the LH frame rail, as shown.

If the hole at this mounting location is not threaded proceed to **step 3b**. For all other installations proceed to **step 4**.



### Step #3b Locking Pliers -OR- Bench Mounted Vise

**NOTE:** If the hole at the LH rear mounting location isn't threaded, there is a provided MP4 mounting bracket, M10 speed clip, M10 x 35mm bolt, and M10 oversized washer to secure the exhaust skid bracket.

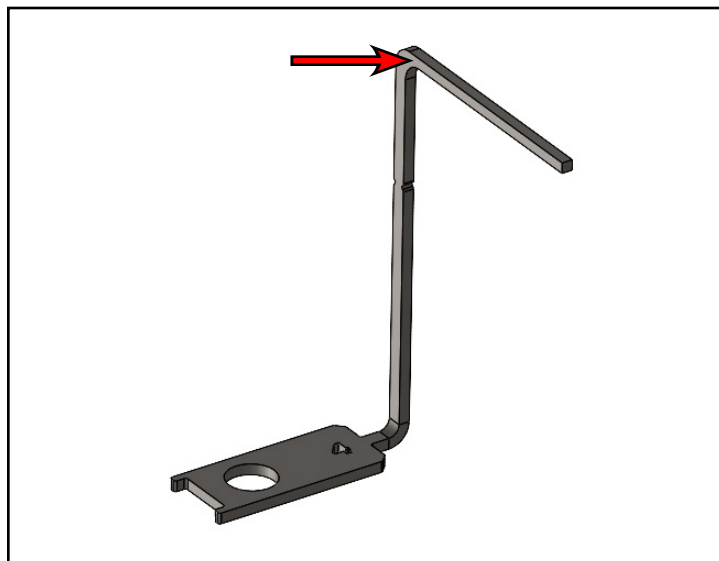
Install a provided speed clip onto the MP4 mounting plate, then bend the bracket 90° upward at the base of the mounting plate.



## Section 2: Installing the New Exhaust Skid Plate

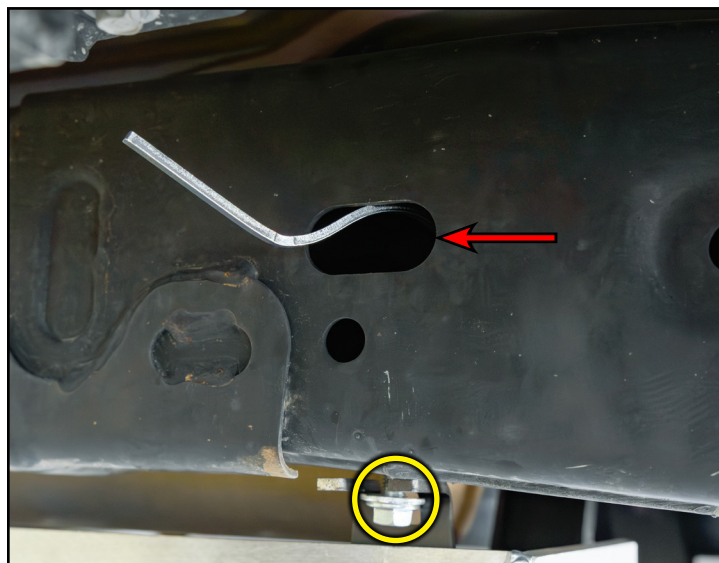
### Step #3c | Locking Pliers -OR- Bench Mounted Vise

Bend the MP4 at the second notch (arrow) from the mounting plate as shown.



### Step #3d | 15mm Socket & Ratchet

Install the prepared MP4 bracket into the frame (arrow) and loosely install a provided M10 x 35mm (circled in **YELLOW**).



## Section 2: Installing the New Exhaust Skid Plate

### Step #4

***If equipped with an RCI crossmember only:*** install the provided M10 speed clip into the mounting location as shown.



### Step #5

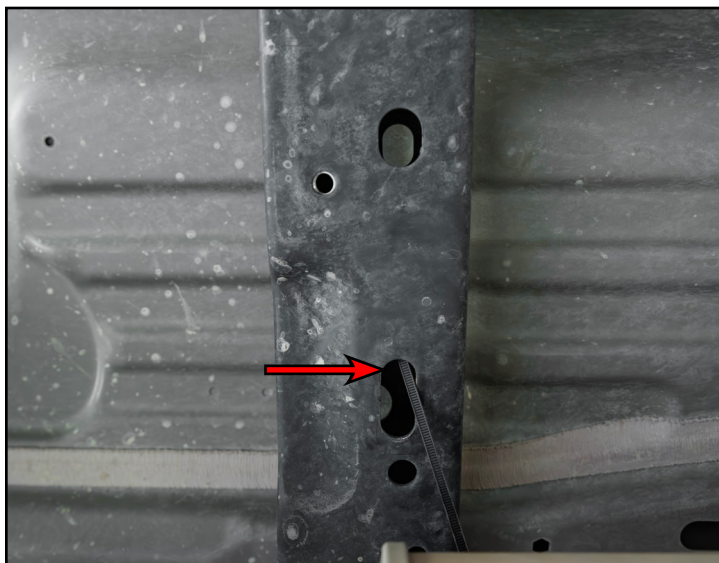
Attach the provided length of wire to the MP2 mounting bracket as shown.



## Section 2: Installing the New Exhaust Skid Plate

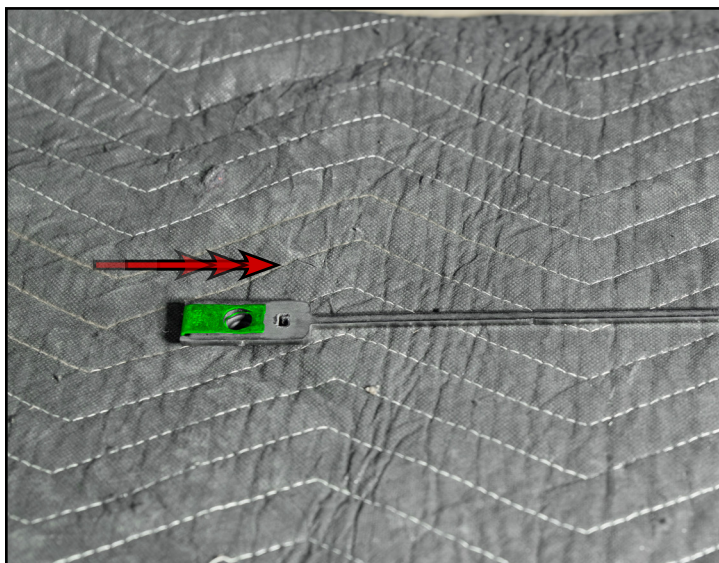
### Step #6

Slide the assembled MP2 into the crossmember and align the threaded hole with the mounting location on the crossmember (arrow).



### Step #7

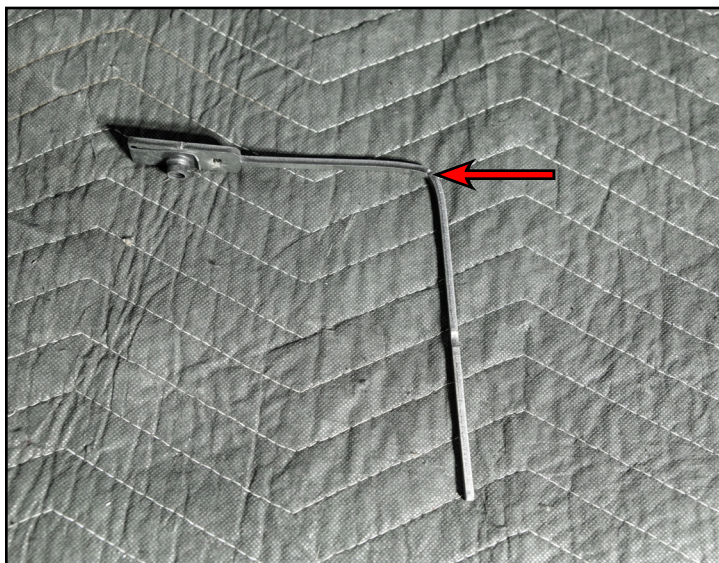
Prepare the rear MP6 mounting bracket by installing the provided M8 speed clip (highlighted in **GREEN**) onto the mounting plate as shown.



## Section 2: Installing the New Exhaust Skid Plate

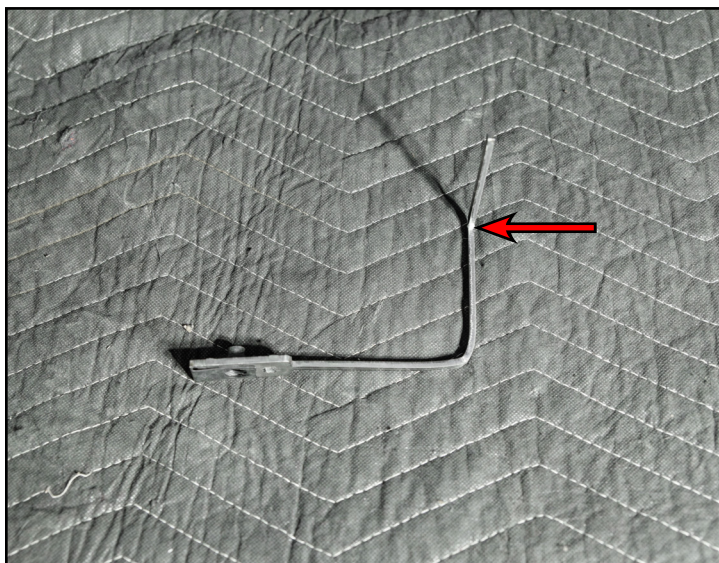
### Step #8 Locking Pliers -OR- Bench Mounted Vise

Bend the assembled MP6 90° at the first notch (arrow) from the mounting plate as shown.



### Step #9 Locking Pliers -OR- Bench Mounted Vise

Bend the MP6 at the second notch (arrow) from the mounting plate as shown.



## Section 2: Installing the New Exhaust Skid Plate

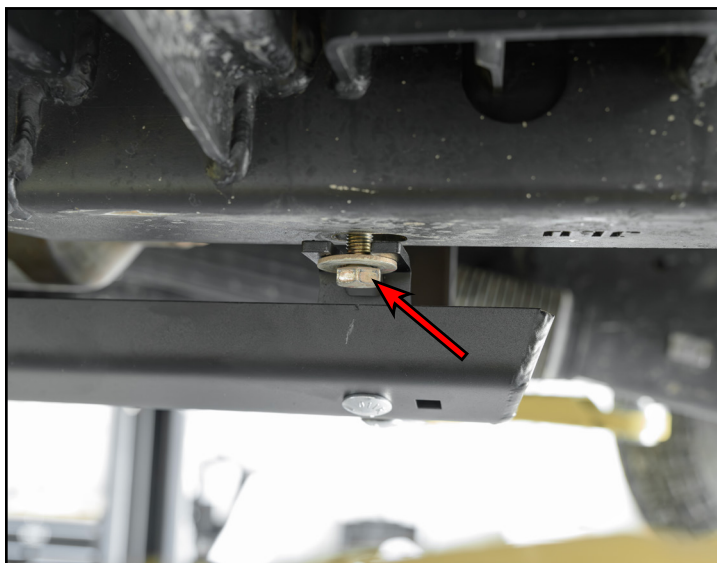
### Step #10

Install the prepared MP6 into the LH front frame rail mounting location through the hole (arrow) in the frame and align the speed clip with the bottom mounting location.



### Step #11 19mm Socket & Ratchet

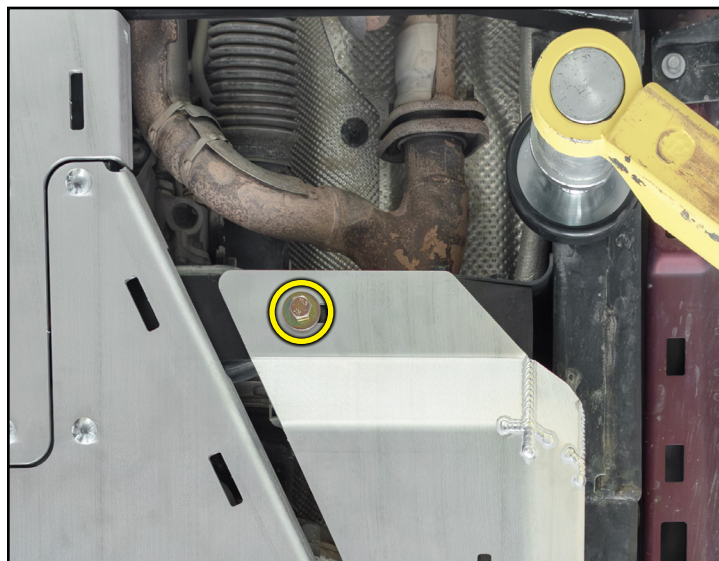
Safely lift the new exhaust skid plate into place, then hook the slotted bracket onto the previously installed bolt (arrow) at the LH rearmost mounting location and support the skid plate from underneath.



## Section 2: Installing the New Exhaust Skid Plate

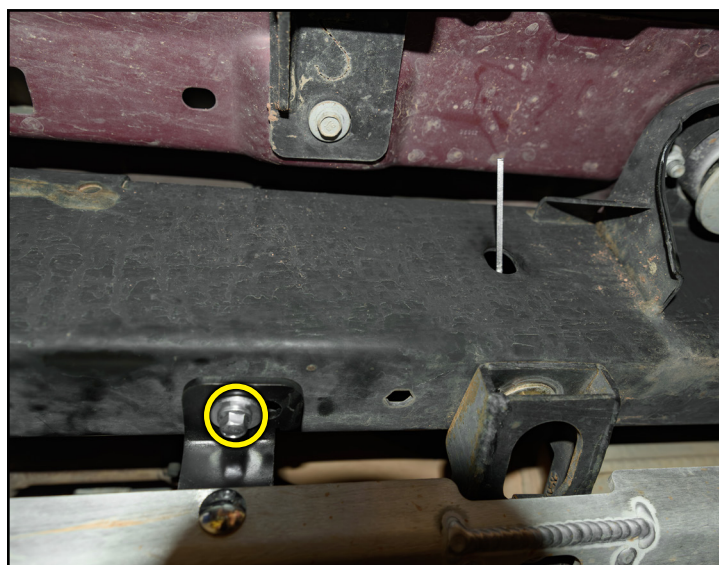
### Step #12 | 19mm Socket & Ratchet

Loosely install the provided M12 hardware (circled in **YELLOW**) into the frontmost mounting location to secure the skid plate.



### Step #13 | 12mm Socket & Ratchet

Install the provided M8 x 30mm bolt, M10 oversized flat washer (arrow) into the prepared MP6 that was previously installed at the LH front bracket mounting location.



## Section 2: Installing the New Exhaust Skid Plate

### Step #14 | 19mm Socket & Ratchet

Loosely install the provided M12 hardware (circled in **YELLOW**) to secure the LH middle bracket to the vehicle.



### Step #15 | 15mm Socket & Ratchet

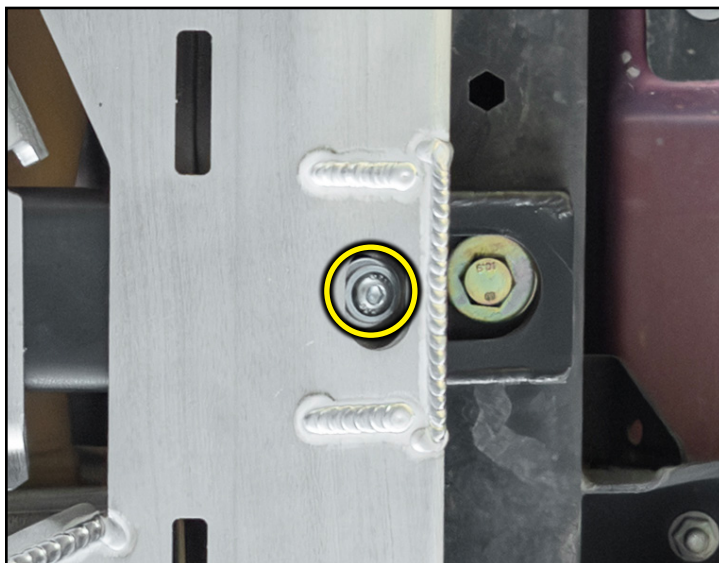
Install the provided M10 x 20mm, and 3/8" flat washer (circled in **YELLOW**) into the MP2 mounting plate that was previously installed into the rear crossmember to secure the RH rearmost bracket to the vehicle.



## Section 2: Installing the New Exhaust Skid Plate

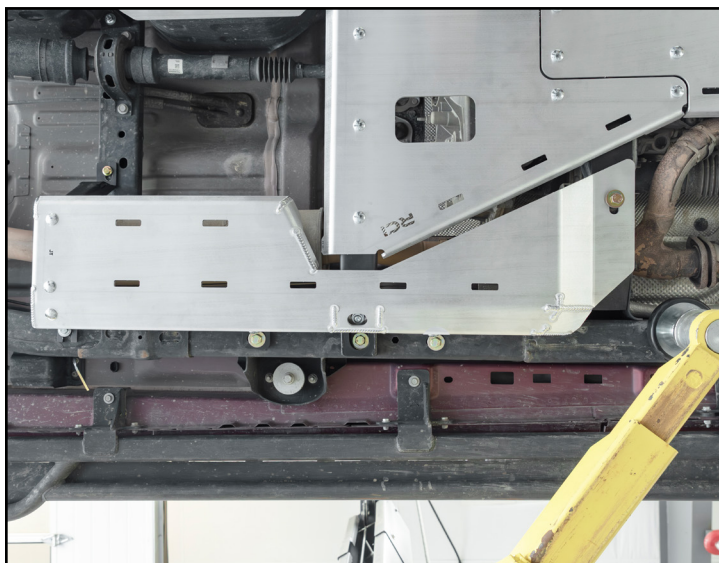
### Step #16 | 6mm Hex (Allen) Socket & Ratchet

*If equipped with an RCI crossmember only:* Install the provided M10 flanged bolt, and 3/8" flat washer (circled in **YELLOW**) into the mounting location of the previously installed speed clip.



### Step #17 | 6mm Hex, 12mm, 15mm, 19mm Sockets & Ratchet

Adjust the skid plate until the desired fitment has been achieved, then fully tighten all of the hardware previously installed.

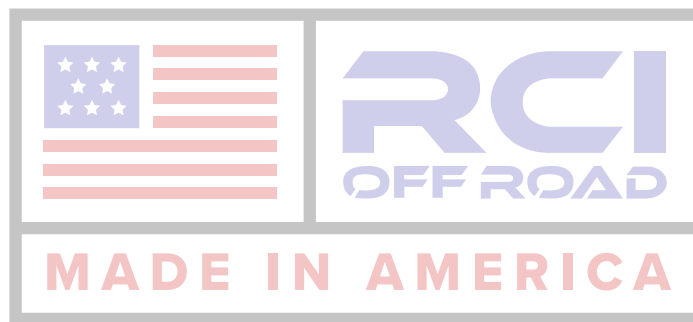


**CONGRATULATIONS, YOUR INSTALLATION IS COMPLETE!**

**ENJOY YOUR NEW RCI PROTECTION!**



**Share your new install with us on social media!  
We love seeing our products in the wild!**



**Follow us on social media:**  
[instagram.com/rcioffroad/#](https://www.instagram.com/rcioffroad/)  
[facebook.com/RCIOffroad](https://www.facebook.com/RCIOffroad)  
[youtube.com/@RCIOFFROAD](https://www.youtube.com/@RCIOFFROAD)

**Contact:**  
1.970.797.3089  
[SALES@RCIOFFROAD.COM](mailto:SALES@RCIOFFROAD.COM)  
6701 N. FRANKLIN AVE. LOVELAND, CO 80538

**These instructions are provided as a courtesy by RCI Offroad**

Disclaimer: The products sold by RCI Metalworks are intended for off-road use only, should not be modified, and are for use only on the vehicle(s) specifically stated. RCI Metalworks makes no warranties express or implied, including of fitness for a particular purpose or merchantability. RCI Metalworks will not be liable for any damages arising out of the use or misuse of its products. It is the customers' responsibility to ensure the products are safely and properly attached to the vehicle, and all products should be installed by trained professionals. We strive to maintain extremely high-quality standards; however, all RCI Metalworks products are individually handcrafted, may vary slightly, and may contain minor imperfections. Due to the nature of raw aluminum, the material may have minor scratches and other blemishes caused by the manufacturing process, especially on the back side of product. RCI Metalworks is constantly seeking to improve its products and reserves the right to make changes to any product.