

TIME FOR INSTALLATION

1-2 HOURS

RCI OFFROAD

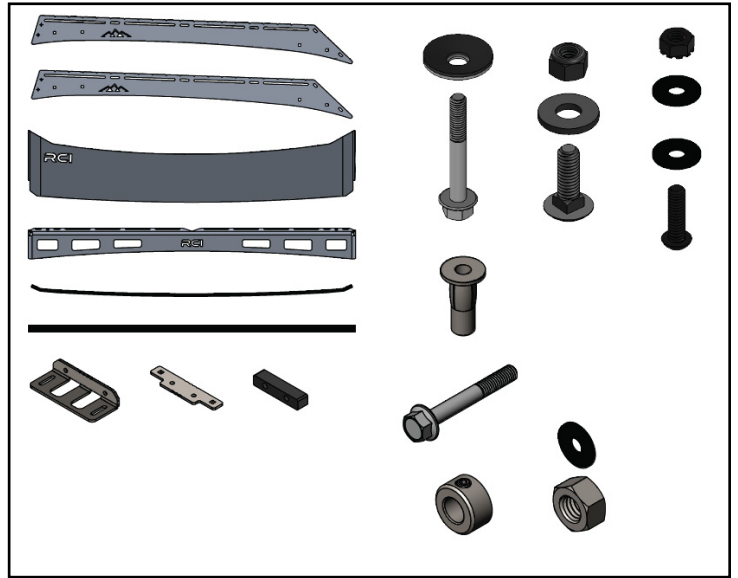
PROFESSIONAL



PROFESSIONAL SKILLS &
SPECIALTY TOOLS REQUIRED

05-23 Toyota Tacoma Access Cab Roof Rack Installation Guide

Contact RCI: SALES@RCIOFFROAD.COM
(970) 797-3089



Caution: Use hand tools, impact wrenches may cause damage if over torqued.

Warning: This installation will require permanent modification of your roof and will require drilling through the top of your roof to install plus nuts. Take your time as needed when performing this installation.

Read the entire notes and instructions before installation.

Kit Contents

ASCENT

Part number	Description	Qty:
SM-01426	Taco Access Cab Roof Rack Side Panel Driver	1
SM-01427	Taco Access Cab Roof Rack Side Panel Passenger	1
SM-00373	Tacoma Front Fairing	1
SM-00372	Tacoma Rear Fairing	1
SM-00970	Roof Rack Uni Foot Bracket	4
SM-01187	Roof Rack Uni Foot Base 03-09 Specific	4
HW-00041	47" Roof Rack Crossbars (Ascent)	4
HK-00073	Universal Roof Rack Hardware Kit: Toyota Truck's	1
HW-00103	58" Front Fairing Weather Stripping	1
HW-00121	1 x 4-1/2 Rubber Bumper	4
HW-00017	1/4-20 x 7/8 Button Soc Cap Black	34
HW-00019	1/4 USS Flat Washer Black Zinc	44
HW-00031	1/4-20 Keps Nut Black Zinc	10
HW-00038	5/16-18 x 1" Carriage Bolt Black GR-5	16
HW-00119	5/16 USS Flat Washer Black Zinc	16
HW-00123	#14 x 1" OD 20GA Bonded Washer	8
HW-00122	M6-1.0 x 45mm Hex Flange Bolt	8
HW-00176	5/16-18 Nylon Insert Lock Nut BLK	16

Included with HK-00073

Included with HK-00077

HORIZON

Part number	Description	Qty:
SM-01426	Taco Access Cab Roof Rack Side Panel Driver	1
SM-01427	Taco Access Cab Roof Rack Side Panel Passenger	1
SM-00373	Tacoma Front Fairing	1
SM-00372	Tacoma Rear Fairing	1
SM-00970	Roof Rack Uni Foot Bracket	4
SM-00969	Roof Rack Uni Foot Base	4
SM-00986	47" Roof Rack Crossbars (Horizon)	4
SM-01188	Horizon Bar End Cap	8
HK-00073	Universal Roof Rack Hardware Kit: Toyota Truck's	1
HW-00103	58" Front Fairing Weather Stripping	1
HW-00121	1 x 4-1/2 Rubber Bumper	4
HW-00017	1/4-20 x 7/8 Button Soc Cap Black	34
HW-00019	1/4 USS Flat Washer Black Zinc	44
HW-00031	1/4-20 Keps Nut Black Zinc	10
HW-00038	5/16-18 x 1" Carriage Bolt Black GR-5	16
HW-00119	5/16 USS Flat Washer Black Zinc	16
HW-00123	#14 x 1" OD 20GA Bonded Washer	8
HW-00122	M6-1.0 x 45mm Hex Flange Bolt	8
HW-00176	5/16-18 Nylon Insert Lock Nut BLK	16
HK-00077	KIT: Uni_RR_SM_XBar	1
HW-00019	1/4 USS Flat Washer Black Zinc	108
HW-00031	1/4-20 Keps Nut Black Zinc	108
HW-00080	1/4-20 x 3/4" Carriage Bolt	72

HK-00075 DRILL KIT

Part number	Description	Qty:
HK-00075	Uni Roof Rack Drill Kit:	1
HW-00019	1/4 USS Flat Washer Black Zinc	2
HW-00047	7/16-14 FIN Hex Nut GR-5 Zinc	2
HW-00122	M6-1.0 x 45mm Hex Flange Bolt	1
HW-00172	M6-1.0 Plus Nut	16
HW-00174	10mm Set Screw Collar	1

Installation Notes

Installation Notes:

RH refers to the passenger side of the vehicle.

LH refers to the driver side of the vehicle.

Always use the proper torque specifications.

If applicable to this installation, torque specifications will be listed throughout the document.

Please read all of these instructions and familiarize yourself with the complete process **BEFORE** you begin.

General Safety:

Park your car in a safe, well lit, level area.

Shut the engine off and remove the key from the ignition switch.

Make sure any remote start devices are properly disabled.

ALWAYS wear safety glasses.

Make sure the parking brake is applied until the vehicle is safely lifted and supported.

Whether lifting a vehicle using an automotive lift or a hydraulic jack, utilize the factory specified lift points.

Lifting a vehicle in an incorrect location can cause damage to the suspension/running gear.

ALWAYS support the vehicle with properly rated jack stands.

ALWAYS read and follow all safety information and warnings for the equipment you are using.

Required Tools:

1/4", 3/8" & 1/2" Socket Sets & Ratchets

Floor Jack

Jack Stands

Combination Wrench Set

Plier Set

Torque Wrenches

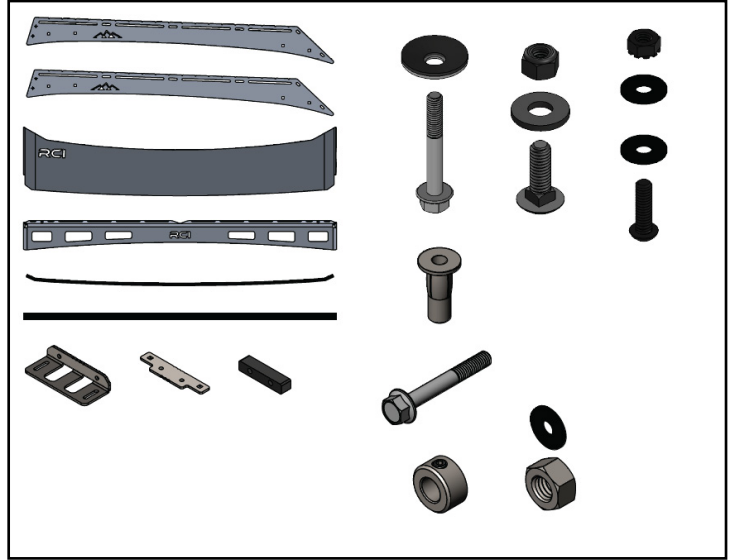
Installation Overview:

Before installation, remove all components and hardware from their packaging and verify that all the components are present.

Installing the New Roof Rack

Step #1

Unpack and remove all components and hardware from their packaging and verify that all the components are present. Lay out the provided crossbars, fairings, and side panels, ensuring the mountains logo is facing the appropriate direction.



Step #2

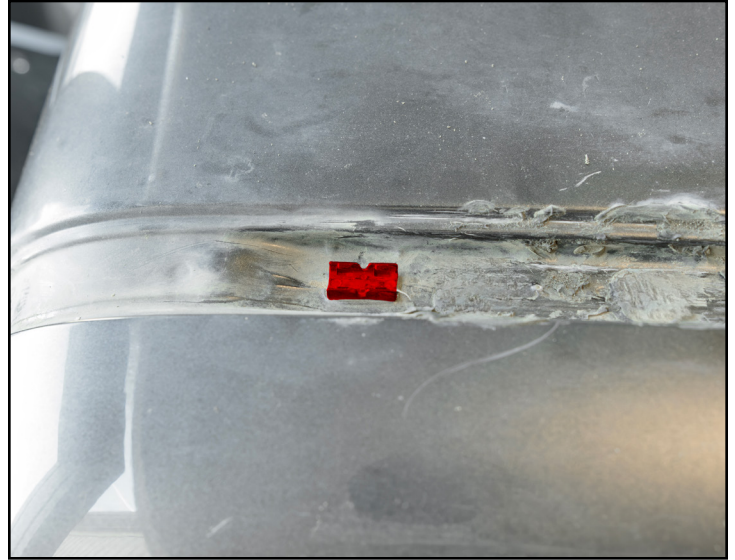
Remove the OEM weather stripping from the vehicle and set them aside.



Installing the New Roof Rack

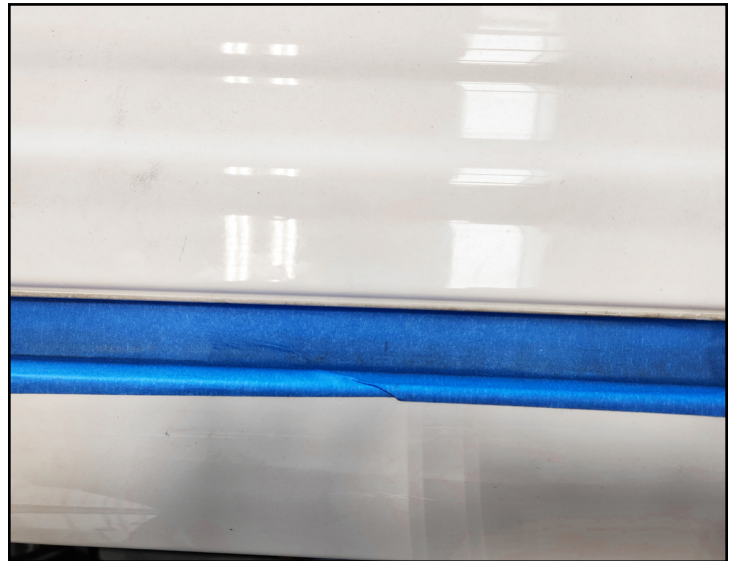
Step #3

Remove the retention tab (highlighted in **RED**) that secures the weather stripping to the rear corners of the cab. Repeat for the opposite side.



Step #4

Clean any debris or dirt from the rain gutter, then place a strip of painter tape along the rain gutter on both sides of the vehicle.



Installing the New Roof Rack

Step #5 | Tape Measure & Marker -OR- Pen

Measure from the front of the windshield weather stripping 7 1/8" (YELLOW line) and make a mark on the painters tape.



Step #6

Place the front edge of the provided rubber base with the mounting holes biased towards the outer side of the vehicle.



Installing the New Roof Rack

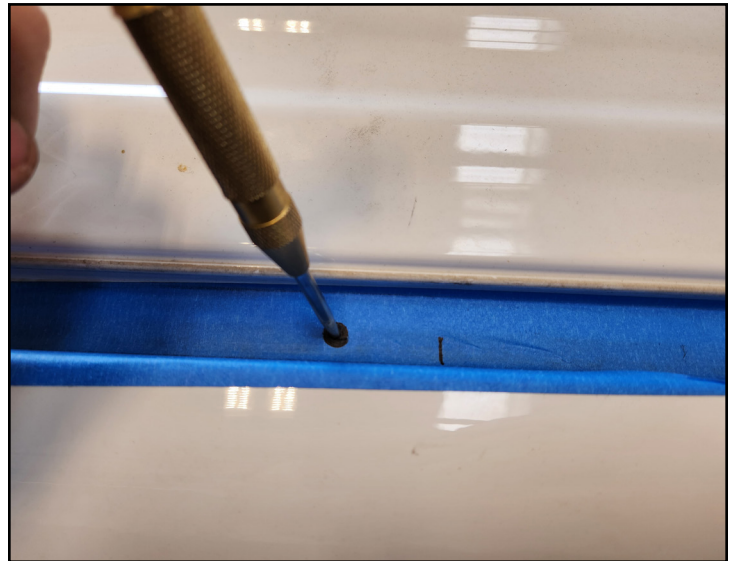
Step #7 | Marker -OR- Pen

Align the center of the front mounting location on the rubber base with the mark previously made, then mark the center of the frontmost mounting location on the tape.



Step #8 | Center Punch & Hammer

Using a center punch and a hammer, punch the center of the mark previously made.



Installing the New Roof Rack

Step #9 | 10mm Drill bit & Cordless Drill

Install the provided drill stop 1/4" from the tip of a 10mm drill bit, then drill the holes at the mounting locations previously marked and punched.

Tech tip: Use a vacuum near the drilling location while you drill to remove as much drilled material as possible and clean the mounting area so that it is free of debris after drilling.



Step #10

Use the included hardware to create an installation tool to set the plus nuts as shown.



Installing the New Roof Rack

Step #11

Apply a generous amount of sealant around the mounting flange and slotted area of the plus nut.

Tech tip: It is recommended to use Lexel Clear Caulk that is typically found at most hardware & home improvement stores.



Step #12 11/16" Wrench, 10mm Socket & Torque Wrench

Insert the plus nut installation tool assembly into the hole previously drilled and torque the bolt to 120 In-lbs while securing the bottom 7/16 nut with an open ended wrench.

Tech tip: Taping the end of the wrench can help minimize the risk of scratching the roof.

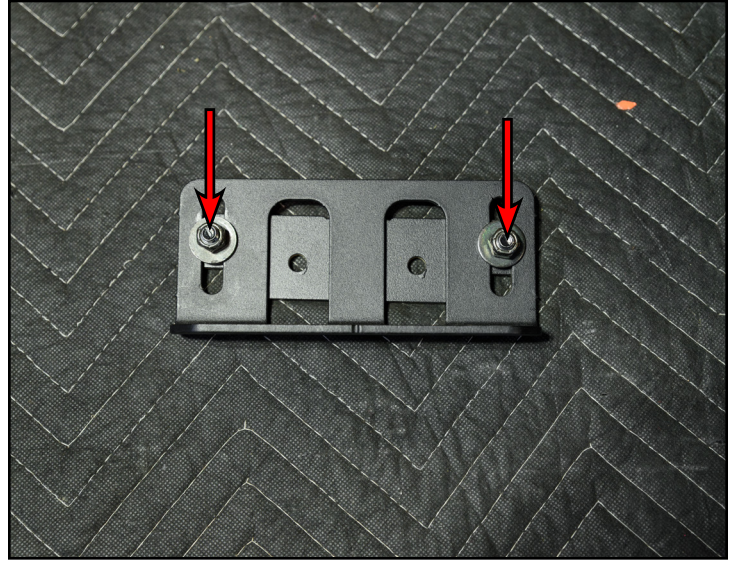
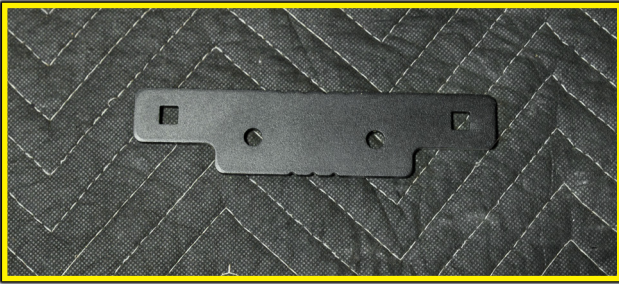
NOTE: *Steps 8-12* will be repeated after the assembled roof rack is laid onto the roof, aligned, and marks made for the other mounting locations.



Installing the New Roof Rack

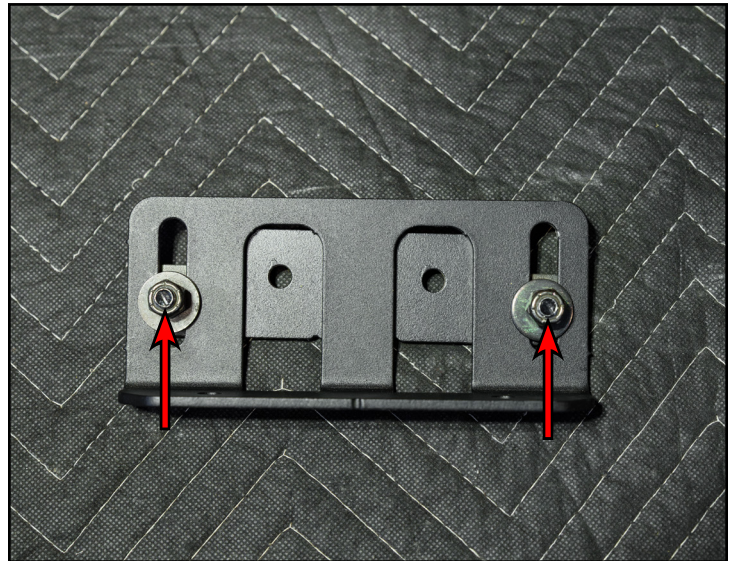
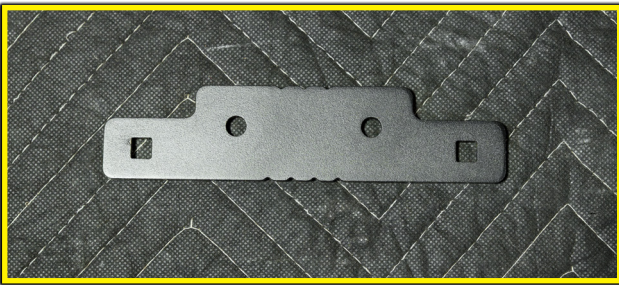
Step #13 | 9/16 SAE Socket & Ratchet

To assemble the front mounting plate brackets, collect the 3/8" carriage bolts, flat washers, split lock washers and nuts. Install the mounting plate bracket onto the assembly base, then loosely secure it with the provided 3/8" hardware (arrows).



Step #14 | 9/16 SAE Socket & Ratchet

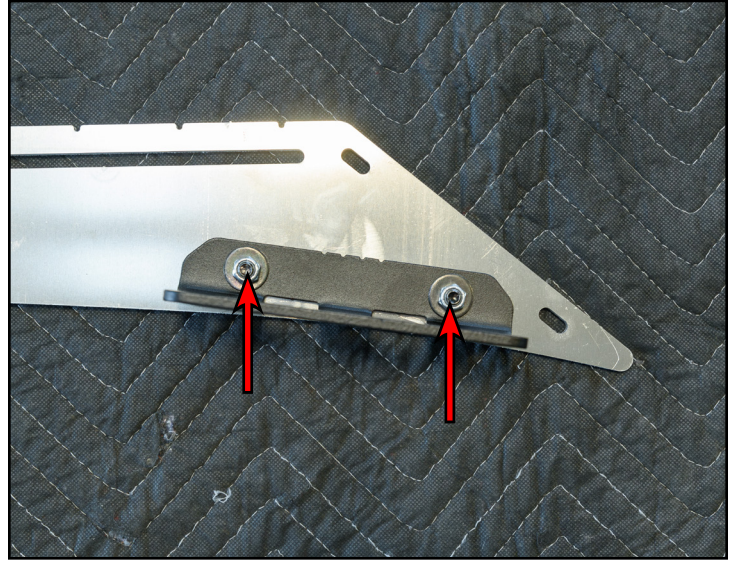
To assemble the rear mounting plate brackets, collect the 3/8" carriage bolts, flat washers, split lock washers and nuts. Install the mounting plate bracket onto the assembly base, then loosely secure it with the provided 3/8" hardware (arrows).



Installing the New Roof Rack

Step #15 | 1/2" Socket & Ratchet

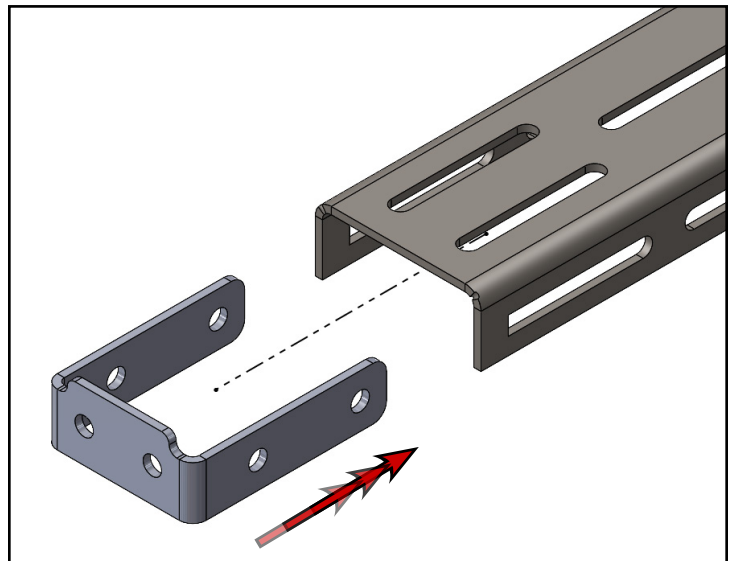
Collect the required 5/16" carriage bolts, washers and nylon lock nuts, then install the assembled universal mounting brackets to the front, and rear mounting locations on the side panels then, tighten the 5/16" hardware (arrows) until snug.



****Bare aluminum side panel used for installation guide purposes only****

Step #16

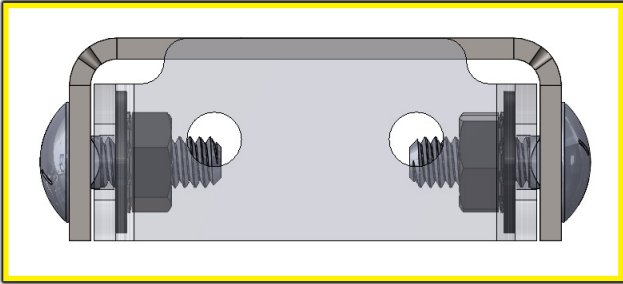
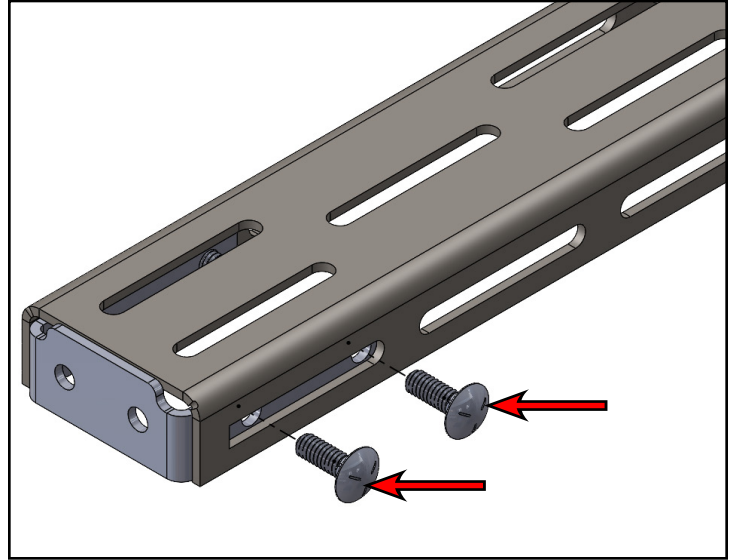
****For horizon crossbar installations only**** Install the provided horizon bar end-caps into the horizon crossbars.



Installing the New Roof Rack

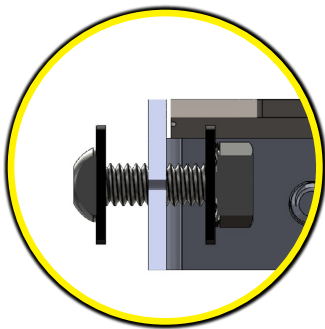
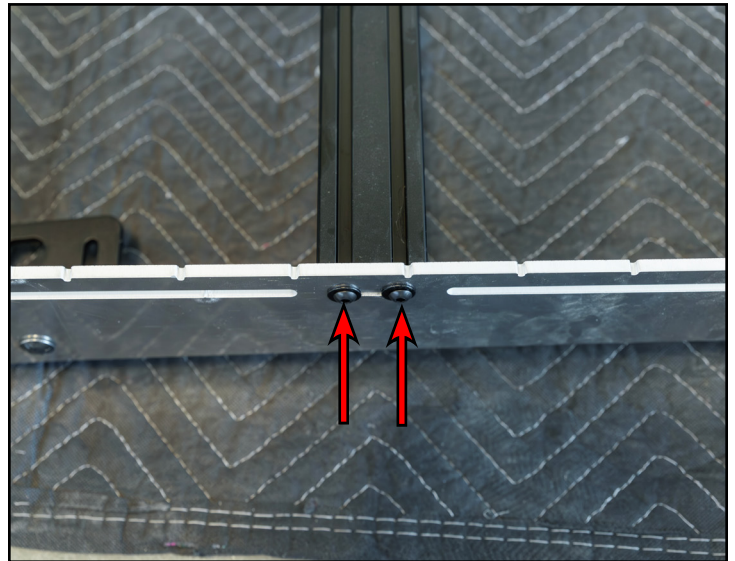
Step #17 7/16" Wrench

****For horizon crossbar installations only:*** Install the provided carriage bolts (arrows) into the horizon crossbar, then through the end cap and secure it with the 1/4" nut & washer (as shown in the inset photo below).



Step #18 4mm Hex (Allen) & 7/16" SAE Wrench

Collect the required 1/4" screws, washers, and nuts. Install the 1/4" screws (arrows) through the side panel and into the end cap. For ascent crossbars tighten the screws until snug, for horizon crossbars secure them by fastening the washers and nuts (as shown in the inset photo below).

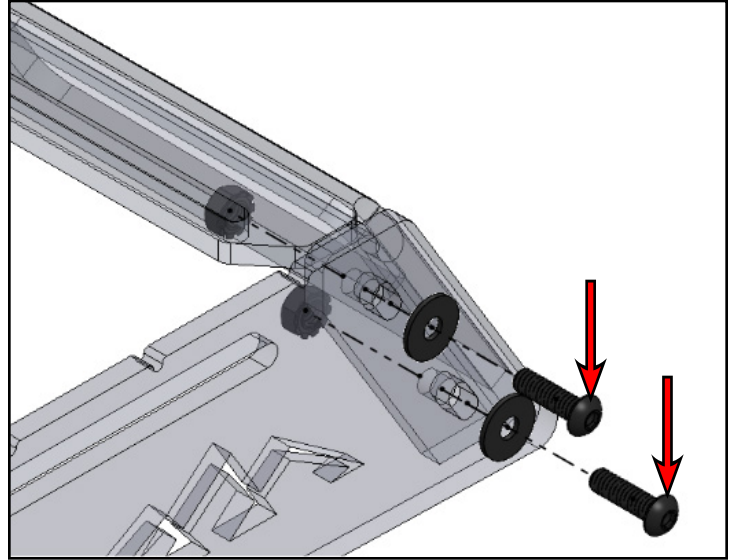


Note: RCI's roof racks are designed to have the crossbars mounted to the small oval cutouts on the side panels (as shown). However, there may be a need for them to be shifted to other positions to accommodate third-party accessories.

Installing the New Roof Rack

Step #19 | 4mm Hex (Allen) & 7/16" SAE Wrench

Collect the required 1/4" screws, washers and nuts. Install the rear fairing into place, then secure it to the LH & RH rear side panels using the provided 1/4" hardware (arrows) and tighten them until snug.



Step #20 | Scissors -OR- Shears

Install the provided front fairing weatherstripping (highlighted in **GREEN**) onto the bottom edge of the front fairing and ensure that the weatherstripping is fully installed onto the front fairing. Trim any excess weatherstripping as needed.



****Bare aluminum side panel used for installation guide purposes only****

Installing the New Roof Rack

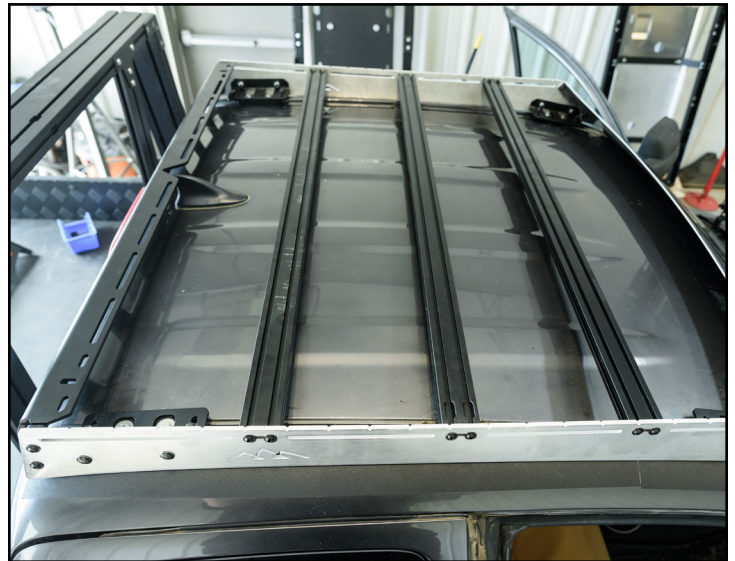
Step #21

Install the rubber mounting pads (arrow) onto the front roof rack mounting locations and align the holes in the bases with the installed plus nuts previously installed.



Step #22

Lift the assembled roof rack onto the vehicle, ensuring that the front bracket locations are aligned with the rubber mounting pads on the vehicle.



Tech tip: Having a friend or two to assist will be required for this installation.

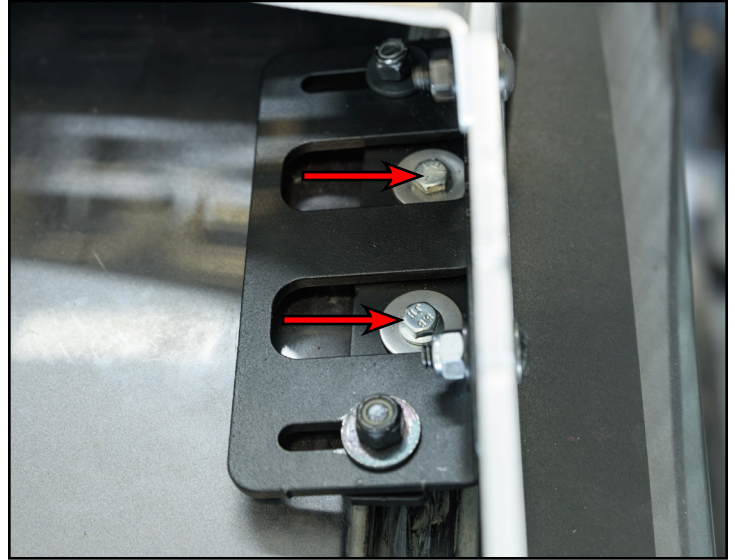
****Bare aluminum side panel used for installation guide purposes only****

Installing the New Roof Rack

Step #23 | 10mm Socket & Ratchet

With the front mounting locations aligned, loosely install the hardware (arrows) to secure the front roof rack in place. With the roof rack in the desired location mark the masking tape for drilling the rear mounting locations, then remove the roof rack from the vehicle.

Tech tip: Having a friend or two to assist will be required for this installation.



Step #24

Repeat **steps 8-12** for the rear mounting locations.

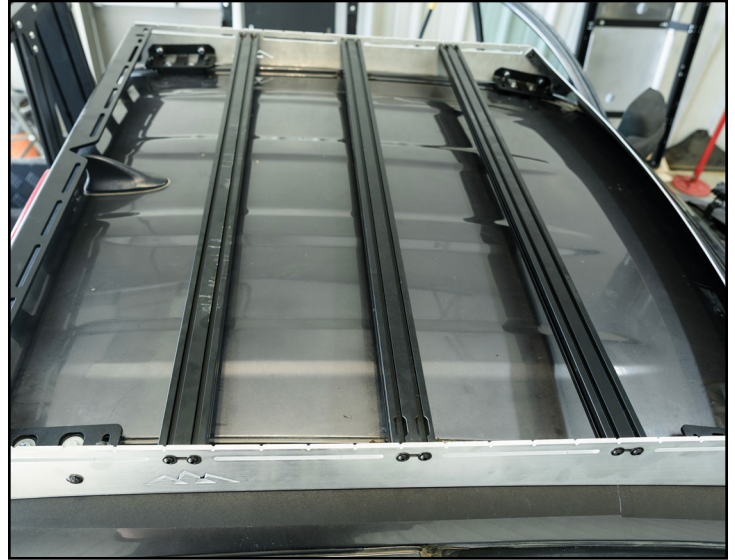


Installing the New Roof Rack

Step #25

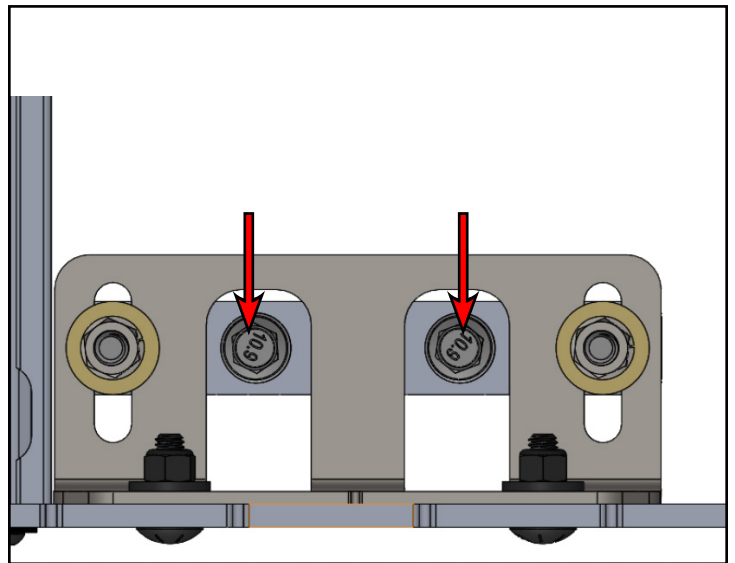
Lift the assembled roof rack back onto the vehicle, ensuring that the front and rear bracket locations are aligned with the rubber mounting pads on the vehicle.

Tech tip: Having a friend or two to assist will be required for this installation.



Step #26 10mm Socket & Torque Wrench

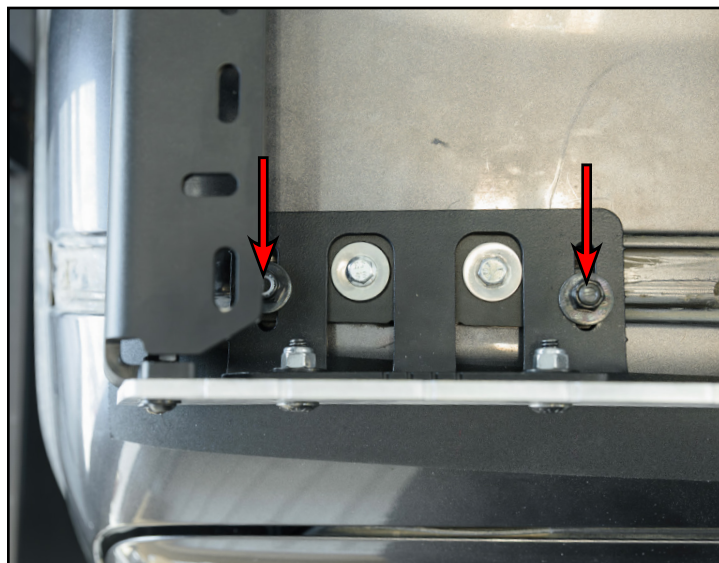
Collect the required M6 bolts and bonded washers (arrows), then, secure the roof rack to the vehicle with the provided hardware through the uni-feet brackets (as shown in inset photo below).



Installing the New Roof Rack

Step #27 9/16" SAE Socket & Ratchet

Center the roof rack on the vehicle and tighten the 3/8" hardware (arrows) on the front and rear mounting brackets on both sides.



Step #28 10mm Socket & Torque Wrench

Torque the M6 mounting hardware to 50 In-lbs to secure the roof rack to the vehicle.

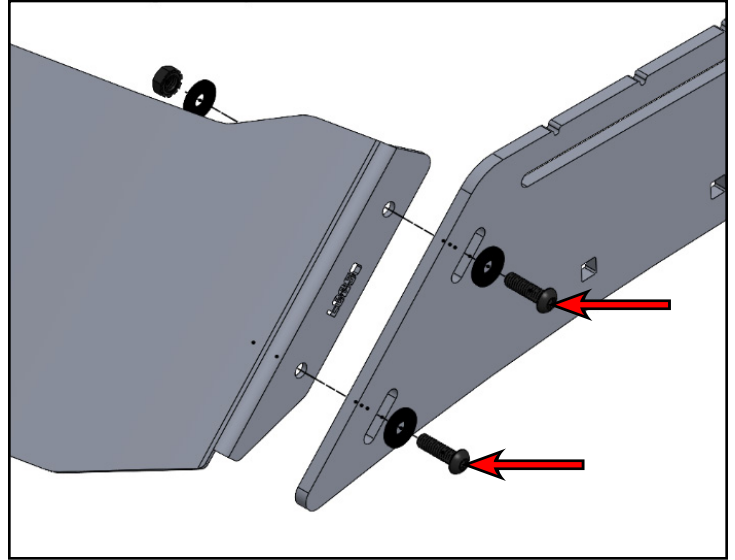


Installing the New Roof Rack

Step #29 | 4mm Hex (Allen) & 7/16" SAE Wrench

Collect the required 1/4" screws, washers and keps nuts. Install the front fairing into place and loosely install the provided 1/4" hardware (arrows) through the LH & RH sides of the front fairing to secure it in place.

Push down on the LH & RH sides of the front fairing and ensure that the seal rests flush against the roof of the vehicle, then fully tighten down the 1/4" hardware (arrows) for both sides of the panels.



Step #30 | Scissors -OR- Shears

Trim the factory weather stripping to fit within the roof rain gutter on either side of the uni-feet of the roof rack for the front, center, and rear locations.

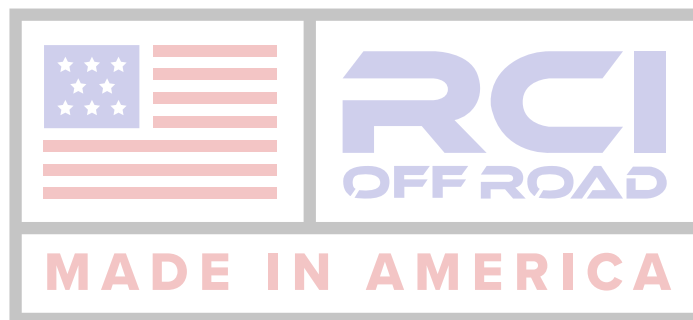


CONGRATULATIONS, YOUR INSTALLATION IS COMPLETE!

ENJOY YOUR NEW RCI PROTECTION!



**Share your new install with us on social media!
We love seeing our products in the wild!**



Follow us on social media:
[instagram.com/rcioffroad/](https://www.instagram.com/rcioffroad/)
[facebook.com/RCIOffroad](https://www.facebook.com/RCIOffroad)
[youtube.com/@RCIOFFROAD](https://www.youtube.com/@RCIOFFROAD)

Contact:
1.970.797.3089
SALES@RCIOFFROAD.COM
6701 N. FRANKLIN AVE. LOVELAND, CO 80538

These instructions are provided as a courtesy by RCI Offroad

Disclaimer: The products sold by RCI Metalworks are intended for off-road use only, should not be modified, and are for use only on the vehicle(s) specifically stated. RCI Metalworks makes no warranties express or implied, including of fitness for a particular purpose or merchantability. RCI Metalworks will not be liable for any damages arising out of the use or misuse of its products. It is the customers' responsibility to ensure the products are safely and properly attached to the vehicle, and all products should be installed by trained professionals. We strive to maintain extremely high-quality standards; however, all RCI Metalworks products are individually handcrafted, may vary slightly, and may contain minor imperfections. Due to the nature of raw aluminum, the material may have minor scratches and other blemishes caused by the manufacturing process, especially on the back side of product. RCI Metalworks is constantly seeking to improve its products and reserves the right to make changes to any product.