

TIME FOR INSTALLATION

1 HOUR



EASY

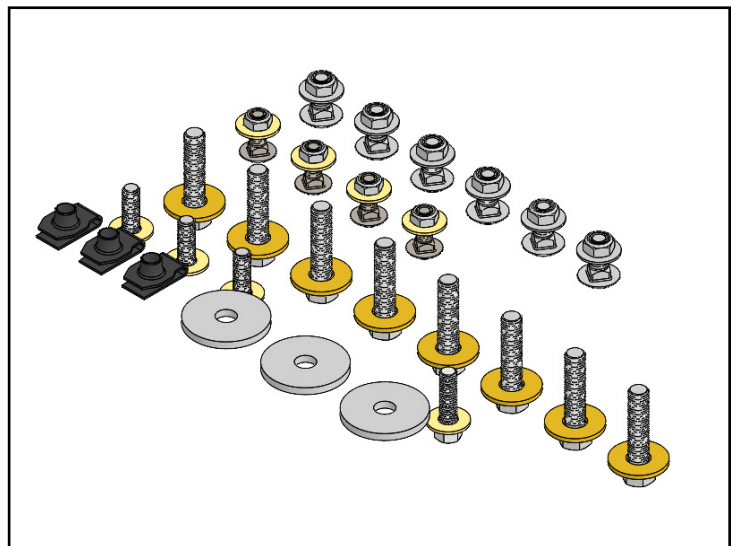


BASIC SKILLS
REQUIRED

20+ Jeep Gladiator JT 3.6L Fuel Tank Skid Plate Installation Guide

Contact RCI: SALES@RCIOFFROAD.COM
(970) 797-3089

Part Number	Description	Qty.
SM-01392	JT Fuel Bracket Strap	1
SM-01393	JT Fuel Front Piece	1
SM-01396	JT Rear Bracket	1
SM-01395	JT Fuel Rear Side Bracket	1
SM-01394	JT Fuel Rear Piece	1
SM-01352	JLU Fuel Bracket – Side	2
SM-01353	JLU Fuel Standoff	1
HK-00188	JLU Fuel Tank Skid Hardware Kit:	1
HW-00203	M12-1.5 x 50mm Hex Flange Bolt	8
HW-00237	M10-1.5 x 30mm Flanged Screw	3
HW-00028	Full Moon Spacer	3
HW-00068	7/16-14 x 1 Carriage Bolt GR-5	6
HW-00052	3/8-16 x 1 Carriage Bolt GR-5	4
HW-00236	.4375-14 Nyloc Hex Nut – Thin Profile	6
HW-00235	.375-16 Nyloc Hex Nut – Thin Profile	4
HW-00026	3/8 USS Flat Washer Thru Hard	8
HW-00044	7/16 USS Flat Washer Zinc	6
HW-00022	1/2 USS Flat Washer Thru Hard	8
HW-00023	M10-1.5 U-Nut .90mm	3
HW-00021	M10-1.5 x 35mm Hex Flange Bolt	1



Caution: Use hand tools, impact wrenches may cause damage if over torqued.

Read the entire notes and instructions before installation.

Installation Notes

Installation Notes:

RH refers to the passenger side of the vehicle.

LH refers to the driver side of the vehicle.

Always use the proper torque specifications.

If applicable to this installation, torque specifications will be listed throughout the document.

Please read all of these instructions and familiarize yourself with the complete process **BEFORE** you begin.

General Safety:

Park your car in a safe, well lit, level area.

Shut the engine off and remove the key from the ignition switch.

Make sure any remote start devices are properly disabled.

ALWAYS wear safety glasses.

Make sure the parking brake is applied until the vehicle is safely lifted and supported.

Whether lifting a vehicle using an automotive lift or a hydraulic jack, utilize the factory specified lift points.

Lifting a vehicle in an incorrect location can cause damage to the suspension/running gear.

ALWAYS support the vehicle with properly rated jack stands.

ALWAYS read and follow all safety information and warnings for the equipment you are using.

Required Tools:

1/4", 3/8" & 1/2" Socket Sets & Ratchets

Floor Jack

Jack Stands

Combination Wrench Set

Plier Set

Torque Wrenches

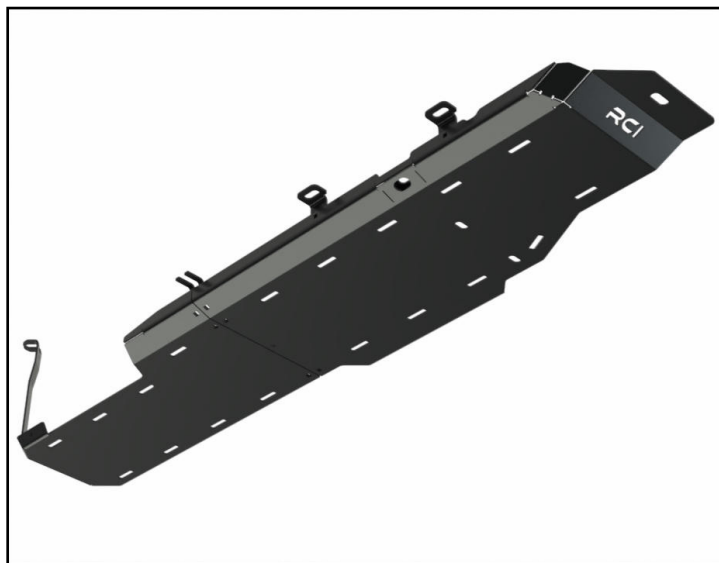
Installation Overview:

Before installation, remove all components and hardware from their packaging and verify that all the components are present.

Section 1: Installing the New Fuel Tank Skid Plate

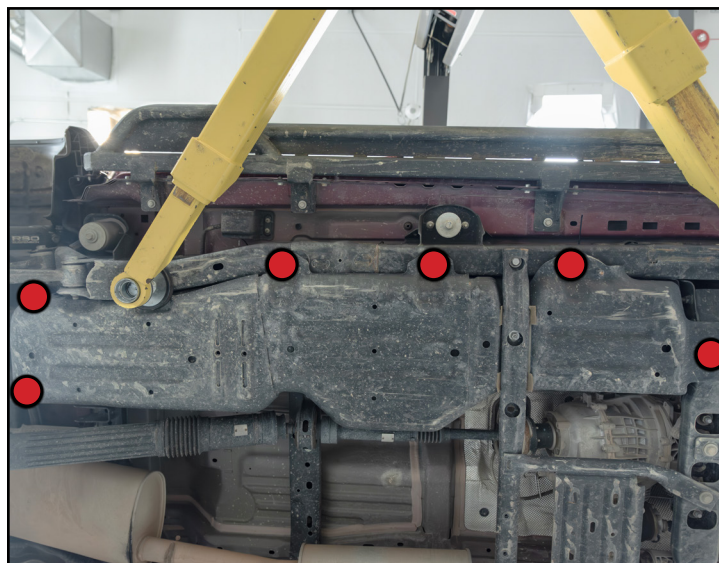
Step #1

Remove all components and hardware from their packaging and verify that all the components are present.



Step #2 18mm Socket & Ratchet

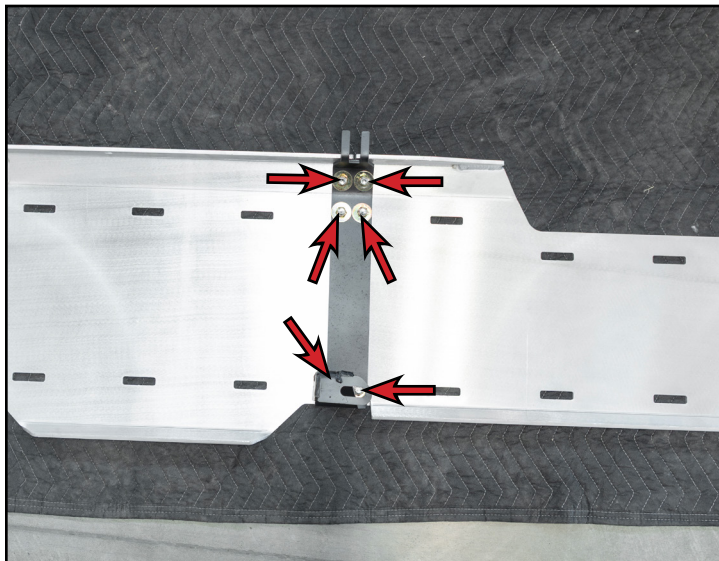
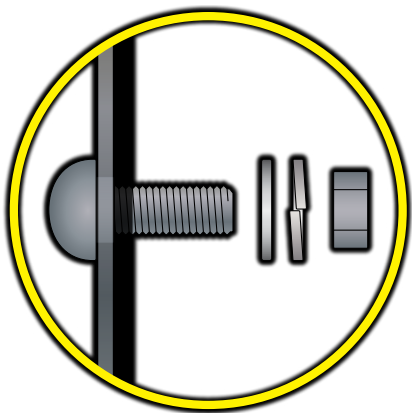
Remove the bolts (**RED** circles) that secure the OEM fuel tank skid plate to the vehicle. The RCI skid plate will mount over the OEM skid plate.



Section 1: Installing the New Fuel Tank Skid Plate

Step #3 | 5/8" Socket & Ratchet

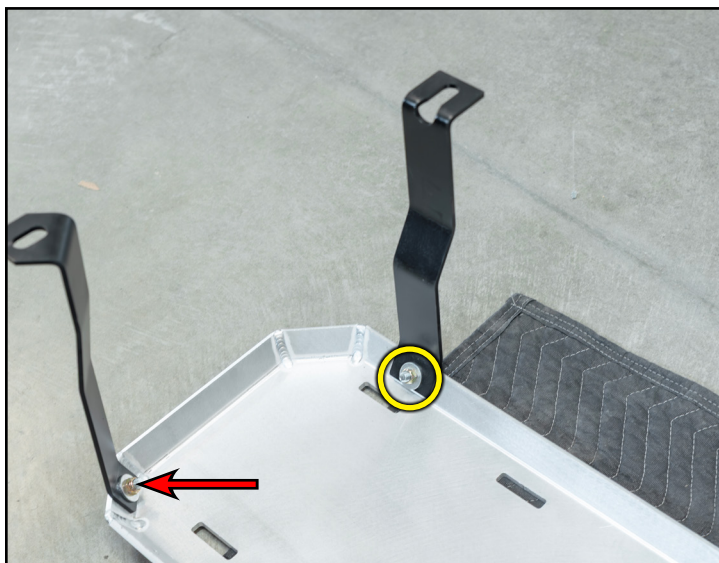
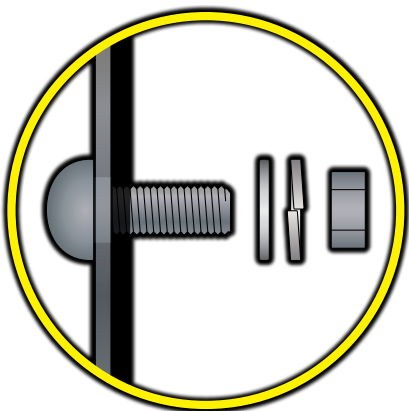
Layout the new RCI front and rear fuel tank skid plate sections on a soft work surface, then align the mounting locations on the center mounting bracket with the mounting locations on the skid plates and secure them using the provided 7/16" hardware (arrows).



Step #4 | 5/8" Socket & Ratchet

Install the LH rearmost mounting bracket to the inside surface of the new fuel tank skid plate, then secure it using the provided 3/8" hardware (circled in **YELLOW**) and tighten until hand tight.

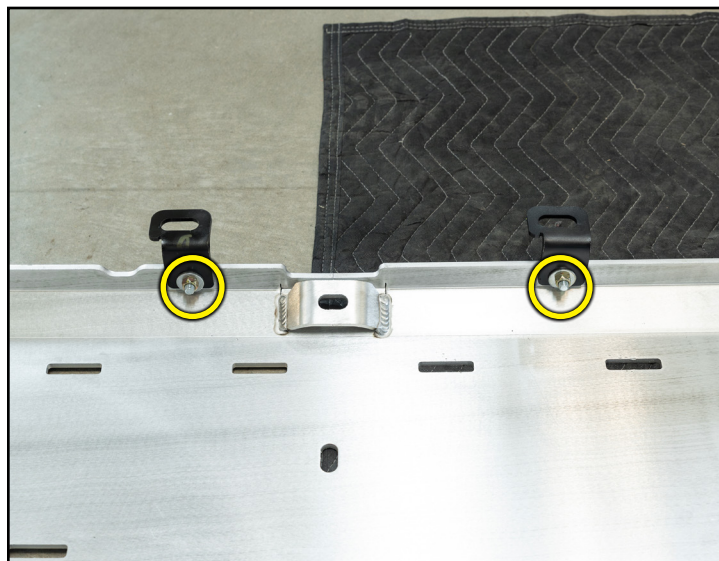
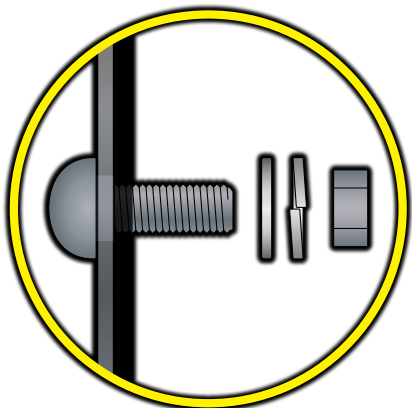
Install the RH rearmost mounting bracket to the inside surface of the new fuel tank skid plate, then secure it using the provided 3/8" hardware (arrow) and tighten until hand tight.



Section 1: Installing the New Fuel Tank Skid Plate

Step #5 | 5/8" Socket & Ratchet

Install the two frontmost RH mounting brackets to the inside surface of the new RCI fuel tank skid plate, then secure them using the provided 3/8" hardware (circled in **YELLOW**).



Step #6

For installations with an RCI JLU Transfer Case Skid Plate Only: Install the provided speed clips (highlighted in **GREEN**) into the RCI crossmember as shown.



Section 1: Installing the New Fuel Tank Skid Plate

Step #7 | Jack -OR- Jack Stands

Lift the new RCI skid plate into place and support it from underneath.



Step #8 | 19mm Socket & Ratchet

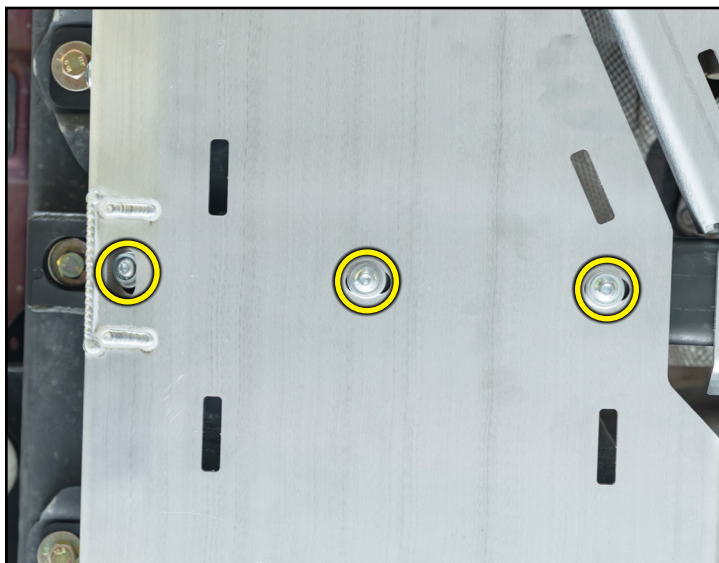
Loosely install the provided M12 bolt and 1/2" flat washer (arrow), then hook the slotted bracket to secure the fuel tank skid plate in place.



Section 1: Installing the New Fuel Tank Skid Plate

Step #9 | 6mm Hex (Allen) Socket & Ratchet

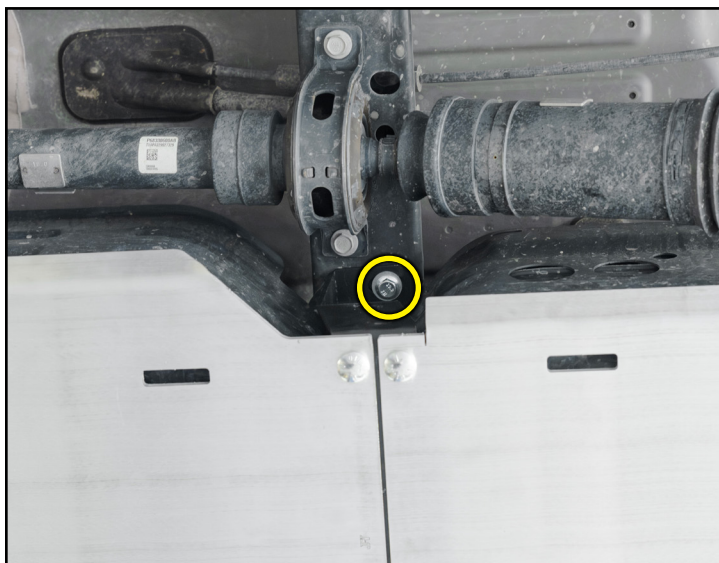
For installations with an RCI JLU Transfer Case Skid Plate Only: Install the provided M10 bolt and 3/8" flat washer (circled in **YELLOW**) into the speed clips previously installed on the crossmember.



Step #10 | 15mm Socket & Ratchet

Secure the LH center bracket to the vehicle using the provided M10 bolt and 3/8" flat washer (circled in **YELLOW**), then tighten the hardware until hand tight.

Tech tip: If the RCI Fuel Tank Skid Plate is being installed on a vehicle with a set of RCI Rock Sliders, full moon spacers are provided to install at this location.



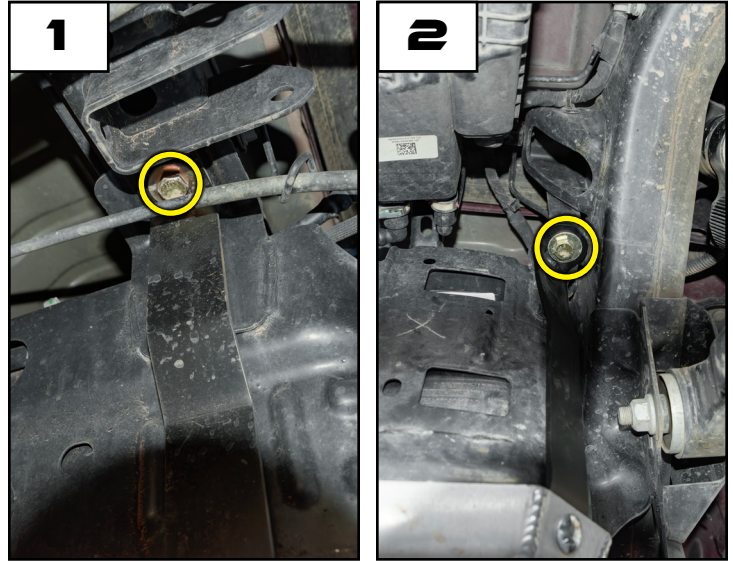
Section 1: Installing the New Fuel Tank Skid Plate

Step #11 15mm, 19mm Sockets & Ratchet

Secure the LH rearmost bracket to the vehicle using the provided M12 bolt and 1/2" flat washer (circled in **YELLOW** in **photo#2**), then tighten the hardware until hand tight.

Secure the RH rearmost bracket to the vehicle using the provided M12 bolt and 1/2" flat washer (circled in **YELLOW** in **photo#2**), then tighten the hardware until hand tight.

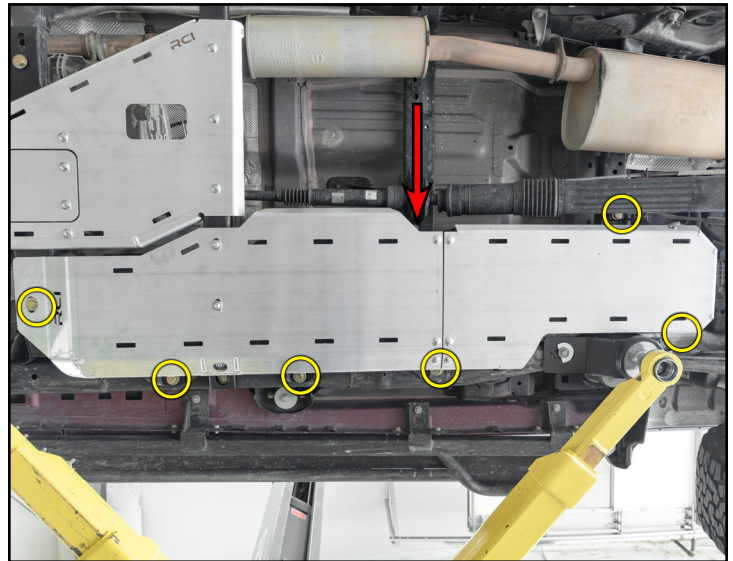
Tech tip: If the RCI Fuel Tank Skid Plate is being installed on a vehicle with a set of RCI Rock Sliders, full moon spacers are provided to install at this location.



Step #12 15mm, 19mm Sockets & Torque Wrench

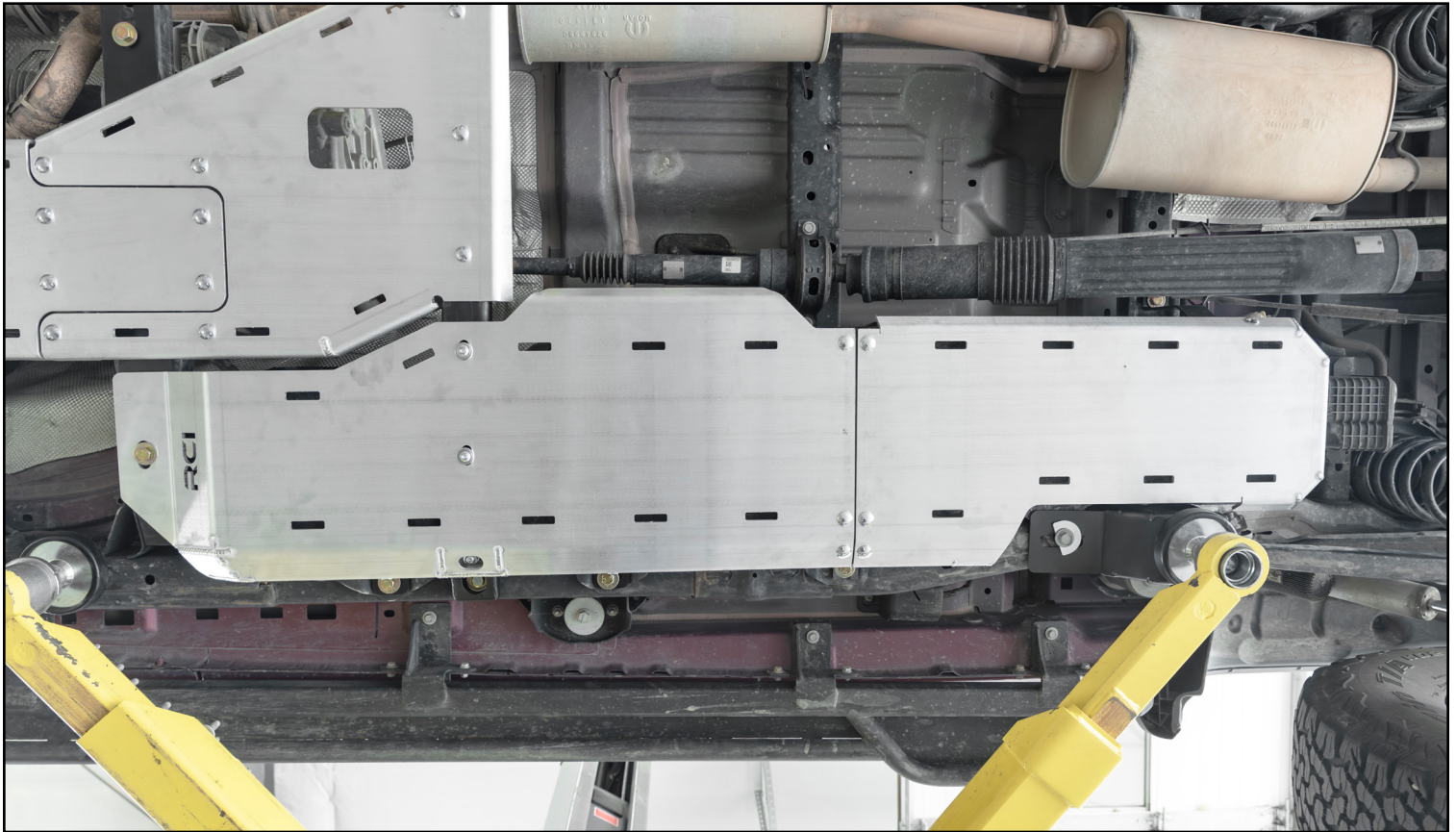
Adjust the skid plate until desired fitment has been achieved, then torque the M12 hardware (circled in **YELLOW**) to 70 Ft-lbs (95 Nm) and the M10 bolt (arrow) to 18 Ft-lbs (25 Nm). Fully tighten any remaining hardware until snug.

Tech tip: If the RCI Fuel Tank Skid Plate is being installed on a vehicle with a set of RCI Rock Sliders, full moon spacers are provided to install at the RH frontmost mounting bracket.

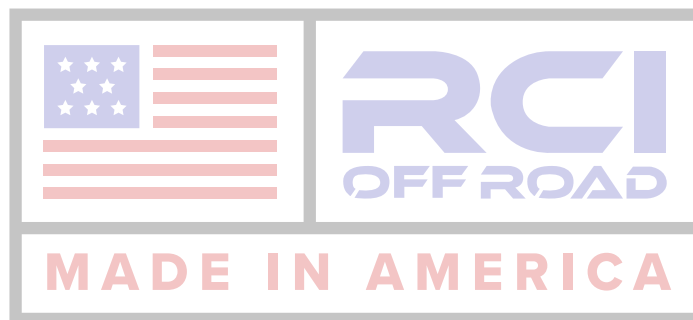


CONGRATULATIONS, YOUR INSTALLATION IS COMPLETE!

ENJOY YOUR NEW RCI PROTECTION!



**Share your new install with us on social media!
We love seeing our products in the wild!**



Follow us on social media:
[instagram.com/rcioffroad/#](https://www.instagram.com/rcioffroad/)
[facebook.com/RCIOffroad](https://www.facebook.com/RCIOffroad)
[youtube.com/@RCIOFFROAD](https://www.youtube.com/@RCIOFFROAD)

Contact:
1.970.797.3089
SALES@RCIOFFROAD.COM
6701 N. FRANKLIN AVE. LOVELAND, CO 80538

These instructions are provided as a courtesy by RCI Offroad

Disclaimer: The products sold by RCI Metalworks are intended for off-road use only, should not be modified, and are for use only on the vehicle(s) specifically stated. RCI Metalworks makes no warranties express or implied, including of fitness for a particular purpose or merchantability. RCI Metalworks will not be liable for any damages arising out of the use or misuse of its products. It is the customers' responsibility to ensure the products are safely and properly attached to the vehicle, and all products should be installed by trained professionals. We strive to maintain extremely high-quality standards; however, all RCI Metalworks products are individually handcrafted, may vary slightly, and may contain minor imperfections. Due to the nature of raw aluminum, the material may have minor scratches and other blemishes caused by the manufacturing process, especially on the back side of product. RCI Metalworks is constantly seeking to improve its products and reserves the right to make changes to any product.