

TIME FOR INSTALLATION

30 MINS. - 1 HOUR

RCI OFFROAD

EASY



BASIC SKILLS
REQUIRED

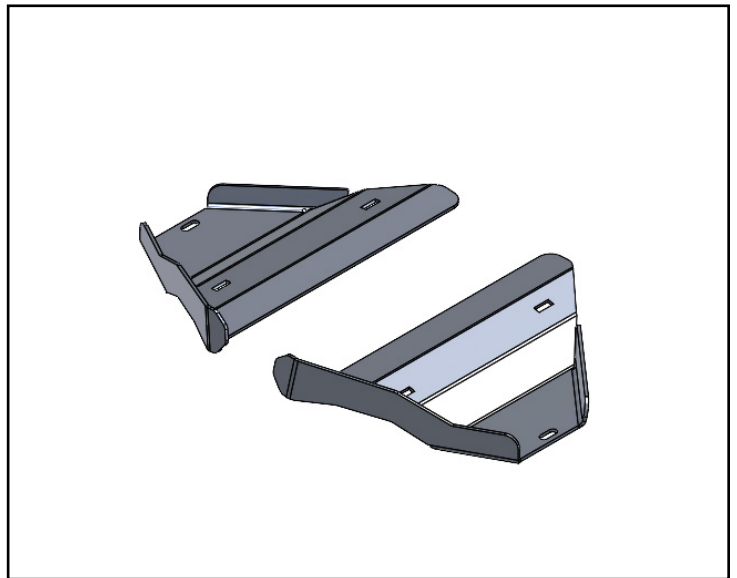
03-24 Toyota 4Runner 07-14 FJ Cruiser 05-23 Tacoma A-Arm Skid Plate Installation Guide

Contact RCI: SALES@RCIOFFROAD.COM
(970) 797-3089

Part number	Description	Qty:
SM-00391	Universal Toyota A-Arm Driver	1
SM-00392	Universal Toyota A-Arm Passenger	1
HK-00005	03-24 Universal Toyota A-Arm Kit:	1
HW-00070	3/8-16 x 4 Carriage Bolt GR-5	2
HW-00034	3/8-16 x 3-1/2 Carriage Bolt	2
HW-00033	3/8-16 x 3 Carriage Bolt	2
HW-00013	3/8 Push On Bolt Retainer	4
HW-00026	3/8 USS Flat Washer	4
HW-00071	3/8-16 Nylon Insert STD	4
HW-00072	1/4-20 x 3 Hex Cap Screw GR-5	2
HW-00073	1/4-20 x 2-3/4 Hex Cap Screw	2
HW-00074	1/4 x 1 Fender Washer Zinc	4
HW-00075	1/20 Nylon Insert Lock Nut	2

03-09 4runner, 07-09 Fj Cruiser, 05-23 Tacoma ONLY:

10-24 4runner, 10-14 Fj Cruiser ONLY:



Caution: Use hand tools, impact wrenches may cause damage if over torqued.

Read the entire notes and instructions before installation.

Installation Notes

Installation Notes:

RH refers to the passenger side of the vehicle.

LH refers to the driver side of the vehicle.

Always use the proper torque specifications.

If applicable to this installation, torque specifications will be listed throughout the document.

Please read all of these instructions and familiarize yourself with the complete process **BEFORE** you begin.

General Safety:

Park your car in a safe, well lit, level area.

Shut the engine off and remove the key from the ignition switch.

Make sure any remote start devices are properly disabled.

ALWAYS wear safety glasses.

Make sure the parking brake is applied until the vehicle is safely lifted and supported.

Whether lifting a vehicle using an automotive lift or a hydraulic jack, utilize the factory specified lift points.

Lifting a vehicle in an incorrect location can cause damage to the suspension/running gear.

ALWAYS support the vehicle with properly rated jack stands.

ALWAYS read and follow all safety information and warnings for the equipment you are using.

Required Tools:

1/4", 3/8" & 1/2" Socket Sets & Ratchets

Floor Jack

Jack Stands

Combination Wrench Set

Plier Set

Torque Wrenches

Installation Overview:

Before installation, remove all components and hardware from their packaging and verify that all the components are present.

Section 1: Installing the New A-Arm Skid Plate

Step #1

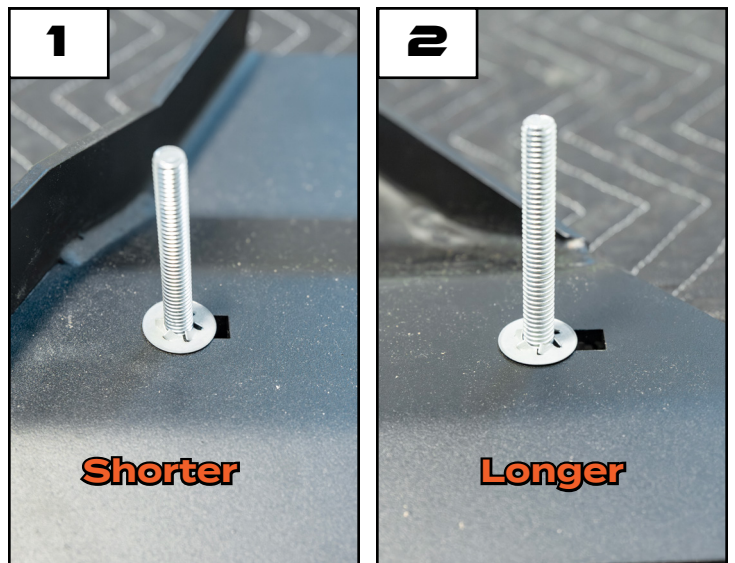
Remove all components and hardware from their packaging and verify that all the components are present.



Step #2

Install the provided 3/8" carriage bolts through the new A-Arm skid plate, then install the 3/8" retainers (arrows) to make installation and removal easier to perform.

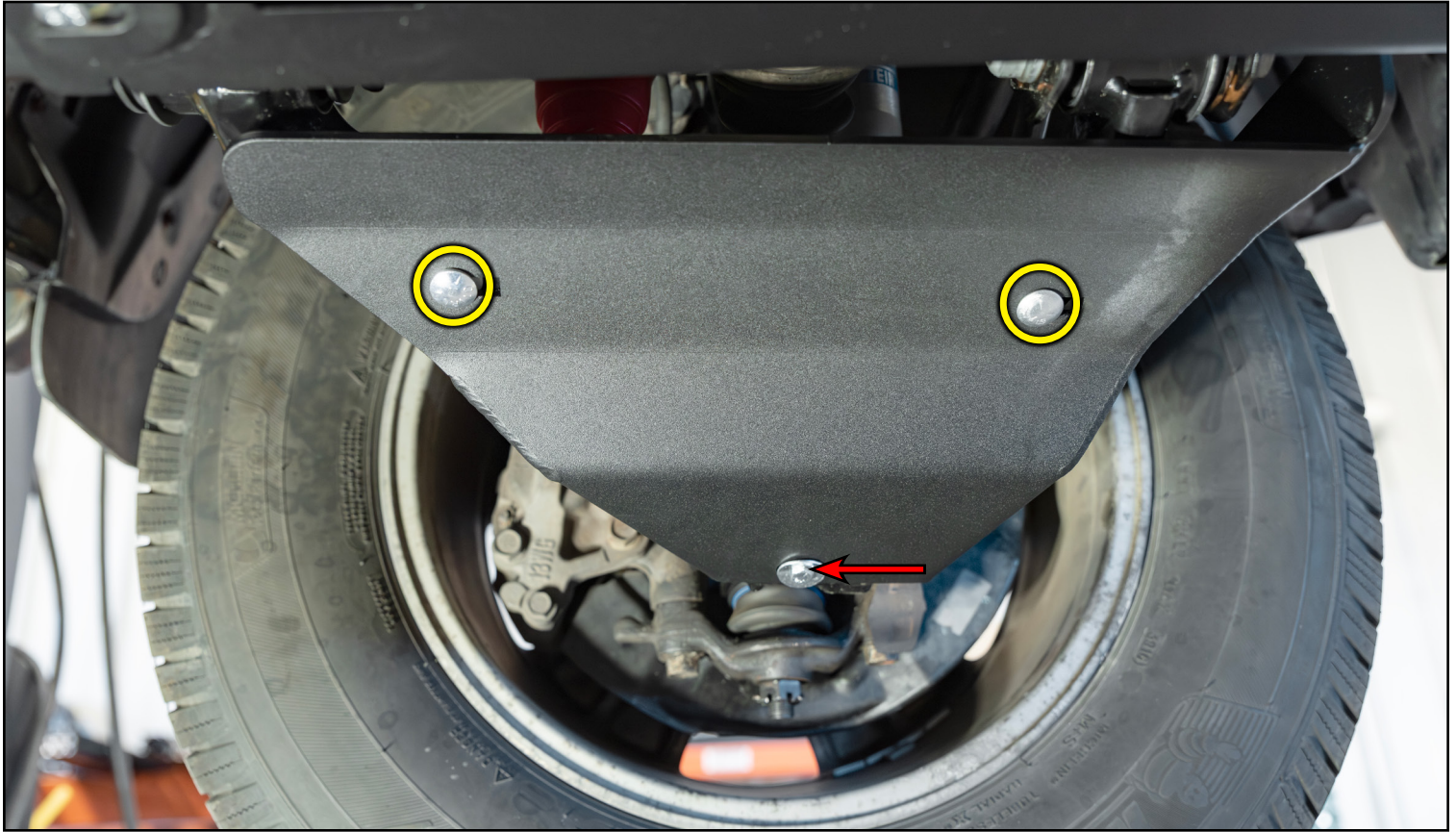
NOTE: The shorter carriage bolt will install through the front most mounting location on the new A-Arm skid plate and the longer carriage bolt will install in the rearmost mounting location.



03-09 4Runner, 07-09 FJ Cruiser, 05-23 Tacoma use the 3/8" x 3" carriage bolt in the shorter bolt mounting location and use the 3/8" x 3-1/2" carriage into the longer bolt mounting location.

10-24 4Runner, 10-14 FJ Cruiser use the 3/8" x 3-1/2" carriage bolt in the shorter bolt mounting location and use the use the 3/8" x 4" carriage bolt into the longer bolt mounting location.

Section 1: Installing the New A-Arm Skid Plate



03-09 4Runner, 07-09 FJ Cruiser, 05-23 Tacoma use the 1/4" x 2-3/4" hex bolt.

10-24 4Runner, 10-14 FJ Cruiser use the 1/4" x 3" hex bolt.

Step #3 | 3/8", 9/16" Sockets & Ratchet

Install the provided 3/8" flat washers, split lock washers and hex nuts onto the previously installed 3/8" carriage bolts (circled in **YELLOW**). Install the provided 1/4" hex bolt with flat washer (arrow) through the outermost mounting location. With the hardware loosely installed, adjust the a-arm skid plate until desired fitment has been achieved, then fully tighten the hardware until snug.

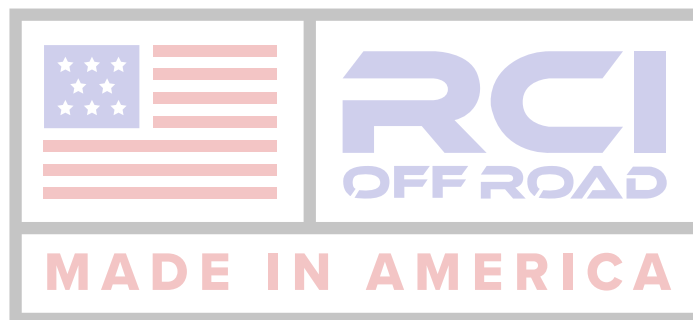
Tech Tip: If the 1/4" bolt is close to contact with the CV axle boot at full droop, the bolt can be installed through the top, but will have to be performed with the vehicle on the ground.

CONGRATULATIONS, YOUR INSTALLATION IS COMPLETE!

ENJOY YOUR NEW RCI PROTECTION!



**Share your new install with us on social media!
We love seeing our products in the wild!**



Follow us on social media:
[instagram.com/rcioffroad/#](https://www.instagram.com/rcioffroad/)
[facebook.com/RCIOffroad](https://www.facebook.com/RCIOffroad)
[youtube.com/@RCIOFFROAD](https://www.youtube.com/@RCIOFFROAD)

Contact:
1.970.797.3089
SALES@RCIOFFROAD.COM
6701 N. FRANKLIN AVE. LOVELAND, CO 80538

These instructions are provided as a courtesy by RCI Offroad

Disclaimer: The products sold by RCI Metalworks are intended for off-road use only, should not be modified, and are for use only on the vehicle(s) specifically stated. RCI Metalworks makes no warranties express or implied, including of fitness for a particular purpose or merchantability. RCI Metalworks will not be liable for any damages arising out of the use or misuse of its products. It is the customers' responsibility to ensure the products are safely and properly attached to the vehicle, and all products should be installed by trained professionals. We strive to maintain extremely high-quality standards; however, all RCI Metalworks products are individually handcrafted, may vary slightly, and may contain minor imperfections. Due to the nature of raw aluminum, the material may have minor scratches and other blemishes caused by the manufacturing process, especially on the back side of product. RCI Metalworks is constantly seeking to improve its products and reserves the right to make changes to any product.