

TIME FOR INSTALLATION
1-2 HOURS

RCI OFFROAD

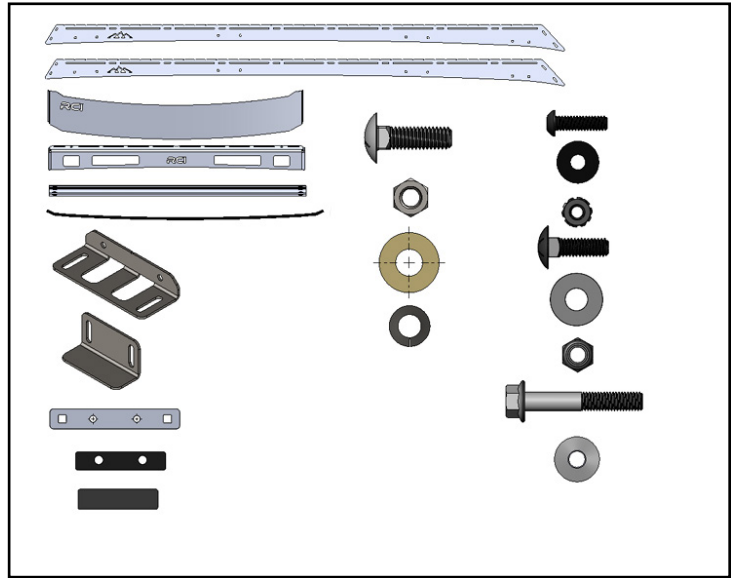
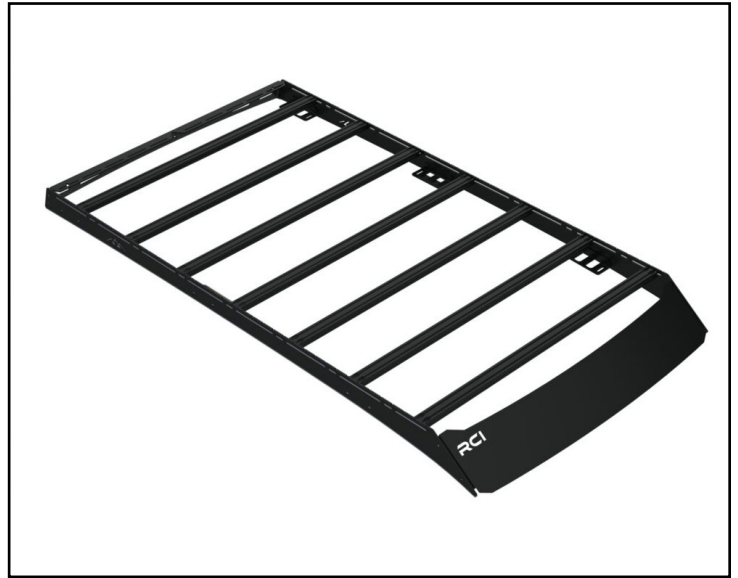
EASY



BASIC SKILLS
REQUIRED

03-09 Toyota 4Runner Roof Rack Installation Guide

Contact RCI: SALES@RCIOFFROAD.COM
(970) 797-3089



Caution: Use hand tools, impact wrenches may cause damage if over torqued.

Read the entire notes and instructions before installation.

Kit Contents

ASCENT

Part number	Description	Qty:
SM-01136	03-09 T4R Roof Rack Side Panel Driver	1
SM-01137	03-09 T4R Roof Rack Side Panel Passenger	1
SM-01135	03-09 T4R Curved Front Fairing	1
SM-00372	Tacoma Rear Fairing	1
SM-00970	Roof Rack Uni Foot Bracket	6
SM-00969	Roof Rack Uni Foot Base	6
HW-00041	47" Roof Rack Crossbars (Ascent)	7
HK-00072	Universal Roof Rack Hardware Kit: Toyota SUV's	1
HW-00097	3/8 x 1 x 4 Neoprene Strip 70	2
HW-00121	1 x 4-1/2 Rubber Bumper	6
HW-00103	58" Front Fairing Weather Stripping	1
HW-00017	1/4-20 x 7/8 Button Soc Cap Black	46
HW-00019	1/4 USS Flat Washer Black Zinc	56
HW-00031	1/4-20 Keps Nut Black Zinc	10
HW-00038	5/16-18 x 1" Carriage Bolt Black GR-5	28
HW-00119	5/16 USS Flat Washer Black Zinc	28
HW-00124	5/16 x 3/4 OD S.S. Rubber Washer	12
HW-00176	5/16-18 Nylon Insert Lock Nut Black Zinc	28
HW-00145	M8 x 1.25 x 50mm Flanged Bolt	12

Included with HK-00072

Included with HK-00077

HORIZON

Part number	Description	Qty:
SM-01136	03-09 T4R Roof Rack Side Panel Driver	1
SM-01137	03-09 T4R Roof Rack Side Panel Passenger	1
SM-01135	03-09 T4R Curved Front Fairing	1
SM-00372	Tacoma Rear Fairing	1
SM-00970	Roof Rack Uni Foot Bracket	6
SM-00969	Roof Rack Uni Foot Base	6
SM-00986	47" Roof Rack Crossbars (Horizon)	7
HK-00072	Universal Roof Rack Hardware Kit: Toyota SUV's	1
HW-00097	3/8 x 1 x 4 Neoprene Strip 70	2
HW-00121	1 x 4-1/2 Rubber Bumper	6
HW-00103	58" Front Fairing Weather Stripping	1
HW-00017	1/4-20 x 7/8 Button Soc Cap Black	46
HW-00019	1/4 USS Flat Washer Black Zinc	56
HW-00031	1/4-20 Keps Nut Black Zinc	10
HW-00038	5/16-18 x 1" Carriage Bolt Black GR-5	28
HW-00119	5/16 USS Flat Washer Black Zinc	28
HW-00124	5/16 x 3/4 OD S.S. Rubber Washer	12
HW-00176	5/16-18 Nylon Insert Lock Nut Black Zinc	28
HW-00145	M8 x 1.25 x 50mm Flanged Bolt	12
HK-00077	KIT: Uni_RR_SM_XBar	1
HW-00019	1/4 USS Flat Washer Black Zinc	108
HW-00031	1/4-20 Keps Nut Black Zinc	108
HW-00080	1/4-20 x 3/4" Carriage Bolt	72

Installation Notes

Installation Notes:

RH refers to the passenger side of the vehicle.

LH refers to the driver side of the vehicle.

Always use the proper torque specifications.

If applicable to this installation, torque specifications will be listed throughout the document.

Please read all of these instructions and familiarize yourself with the complete process **BEFORE** you begin.

General Safety:

Park your car in a safe, well lit, level area.

Shut the engine off and remove the key from the ignition switch.

Make sure any remote start devices are properly disabled.

ALWAYS wear safety glasses.

Make sure the parking brake is applied until the vehicle is safely lifted and supported.

Whether lifting a vehicle using an automotive lift or a hydraulic jack, utilize the factory specified lift points.

Lifting a vehicle in an incorrect location can cause damage to the suspension/running gear.

ALWAYS support the vehicle with properly rated jack stands.

ALWAYS read and follow all safety information and warnings for the equipment you are using.

Required Tools:

1/4", 3/8" & 1/2" Socket Sets & Ratchets

Combination Wrench Set

Plier Set

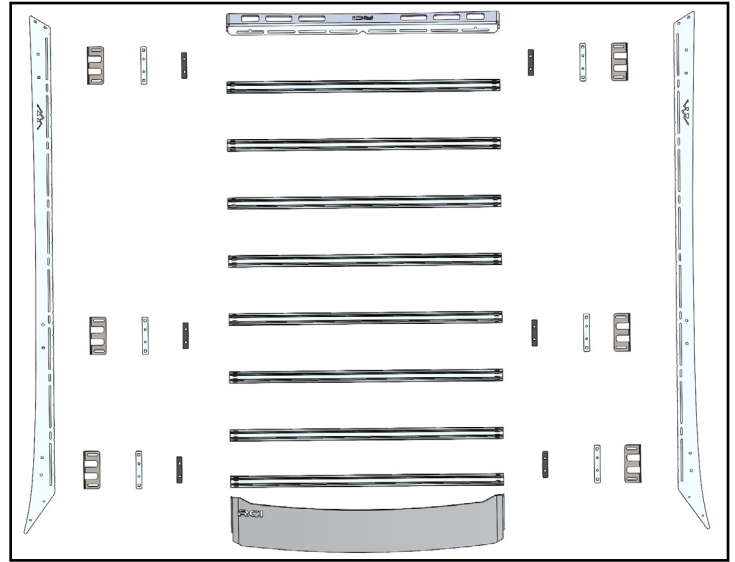
Torque Wrenches

Section 1: Removing the Stock Roof Rack

Step #1 Required tools

Unpack and remove all components and hardware from their packaging and verify that all the components are present. Lay out the provided crossbars, fairings, and side panels, ensuring the mountains logo is facing the appropriate direction.

Tech tip: Lay out and assemble the roof rack components on a soft surface, such as a large blanket to minimize the risk of accidental scratches.



Step #2 Trim Removal Tool

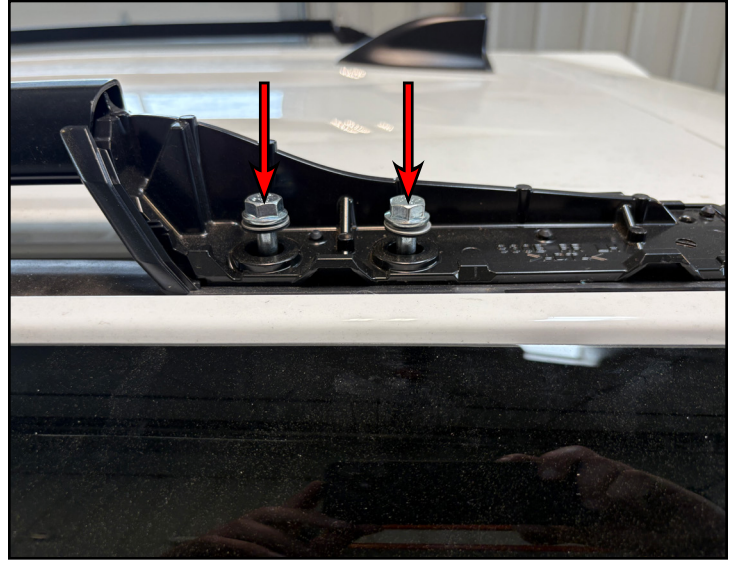
Release the clips that secure the plastic covers for the front and back mounting locations on the stock roof rack rails, then rotate the cover to remove the cover from the roof rack rails.



Section 1: Removing the Stock Roof Rack

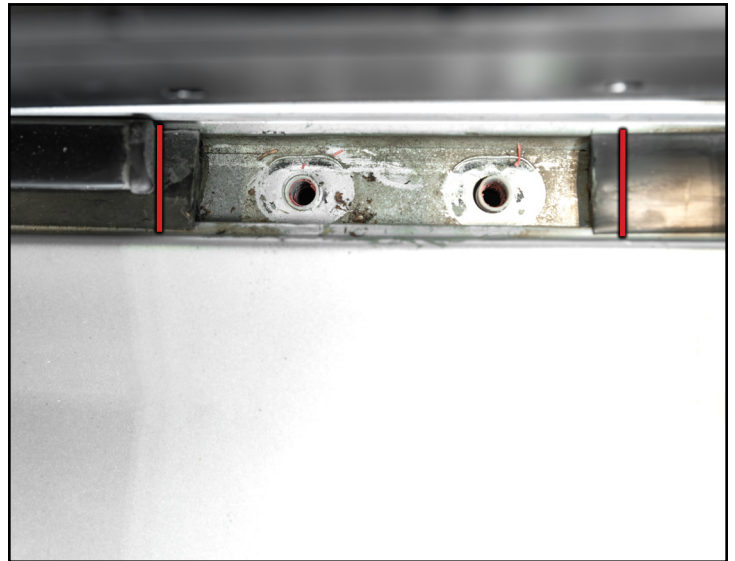
Step #3 | 12mm Socket & Ratchet

Remove the bolts (arrows) that secure the stock roof rack rails to the vehicle. Repeat steps 2-3 to the remaining mounting locations, then remove the stock roof rack rails from the vehicle.



Step #4 | Cutting Pliers -OR- Razor Blade

Align the rubber mounting base with the mounting locations in the roof and mark where the weather stripping needs to be cut (**RED** lines), then cut weather stripping enough to clearance the rubber mounting base.

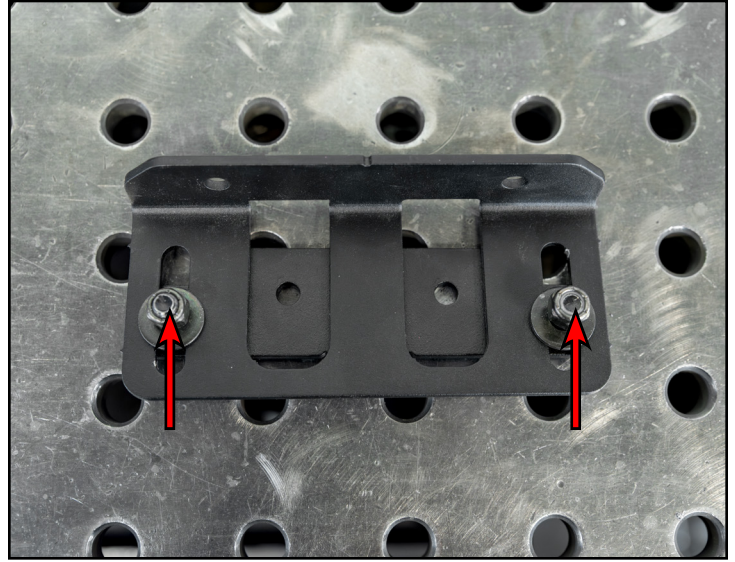
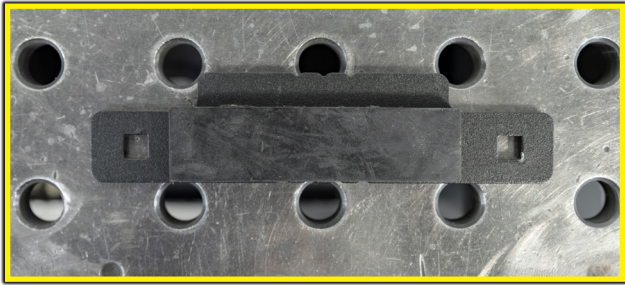


Section 2: Installing the New Roof Rack

Step #1 | 9/16 SAE Socket & Ratchet

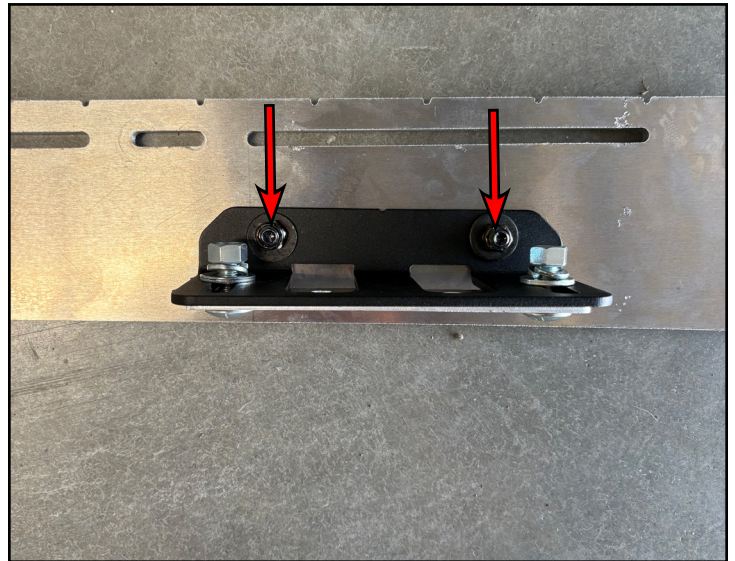
Collect the 3/8" carriage bolts, flat washers, split lock washers and nuts. Install the mounting plate bracket onto the assembly base, then loosely secure it with the provided 3/8" hardware (arrows).

Apply the adhesive block (as shown in the inset photo) to one of the uni-foot brackets for the center mounting location on the vehicle.



Step #2 | 1/2" Socket & Ratchet

Collect the required 5/16" carriage bolts, washers and nylon lock nuts, then install the assembled universal mounting brackets to the front, central, and rear mounting locations on the side panels then, tighten the 5/16" hardware (arrows) until snug.

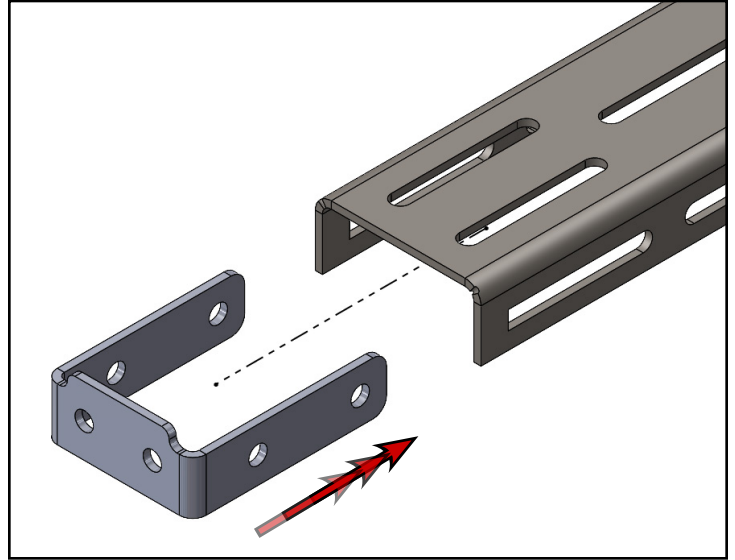


****Bare aluminum side panel used for installation guide purposes only****

Section 2: Installing the New Roof Rack

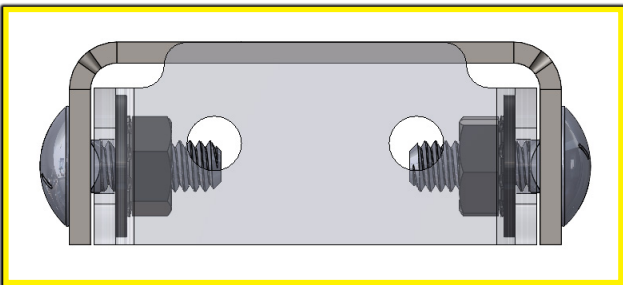
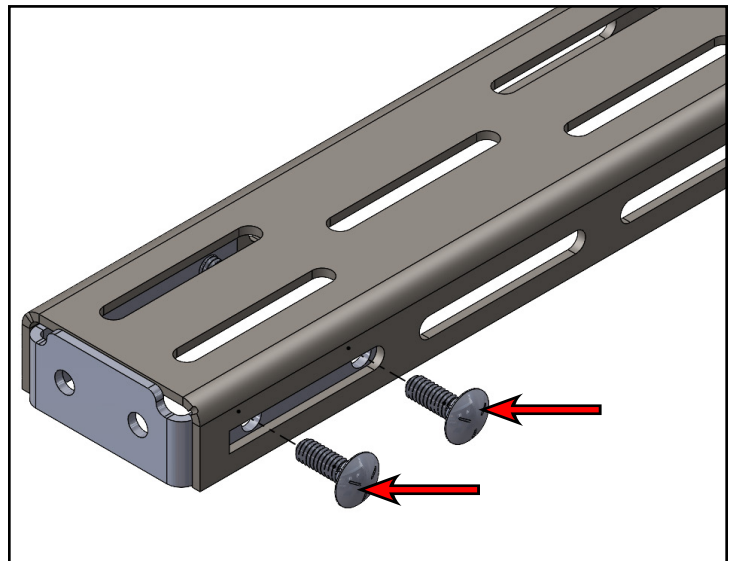
Step #3

****For horizon crossbar installations only:*** Install the provided horizon bar endcaps into the horizon crossbars.



Step #4 7/16" Wrench

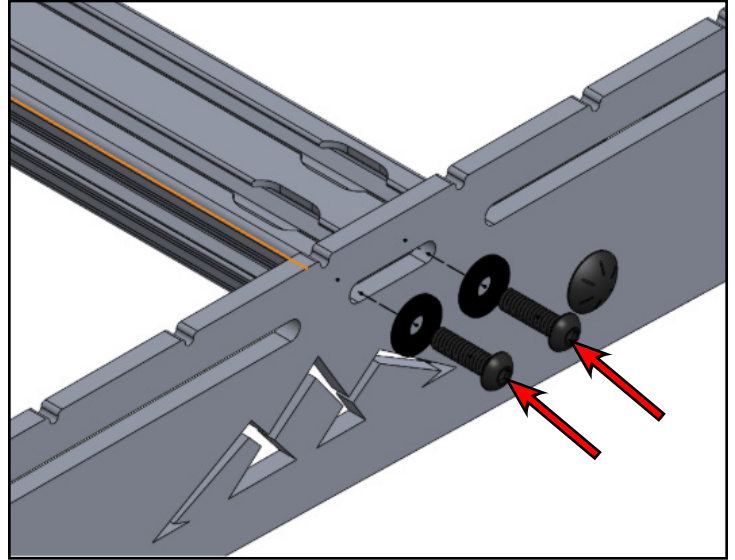
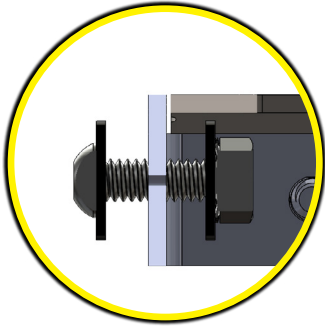
****For horizon crossbar installations only:*** Install the provided carriage bolts (arrows) into the horizon crossbar, then through the end cap and secure it with the 1/4" nut & washer (as shown in the inset photo below).



Section 2: Installing the New Roof Rack

Step #5 | 4mm Hex (Allen) & 7/16" SAE Wrench

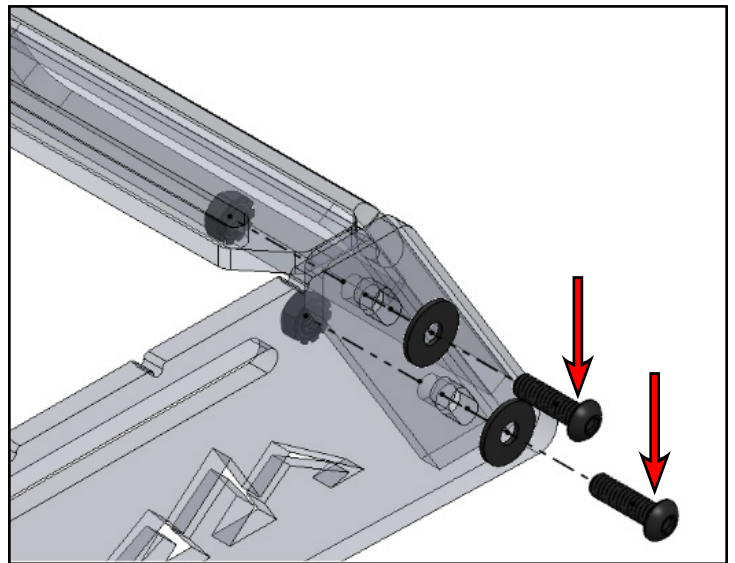
Collect the required 1/4" screws, washers, and nuts. Install the 1/4" screws (arrows) through the side panel and into the end cap. For ascent crossbars tighten the screws until snug, for horizon crossbars secure them by fastening the washers and nuts (as shown in the inset photo below).



Note: RCI's roof racks are designed to have the crossbars mounted to the small oval cutouts on the side panels (as shown). However, there may be a need for them to be shifted to other positions to accommodate third-party accessories.

Step #6 | 4mm Hex (Allen) & 7/16" SAE Wrench

Collect the required 1/4" screws, washers and nuts. Install the rear fairing into place, then secure it to the LH & RH rear side panels using the provided 1/4" hardware (arrows) and tighten them until snug.



Section 2: Installing the New Roof Rack

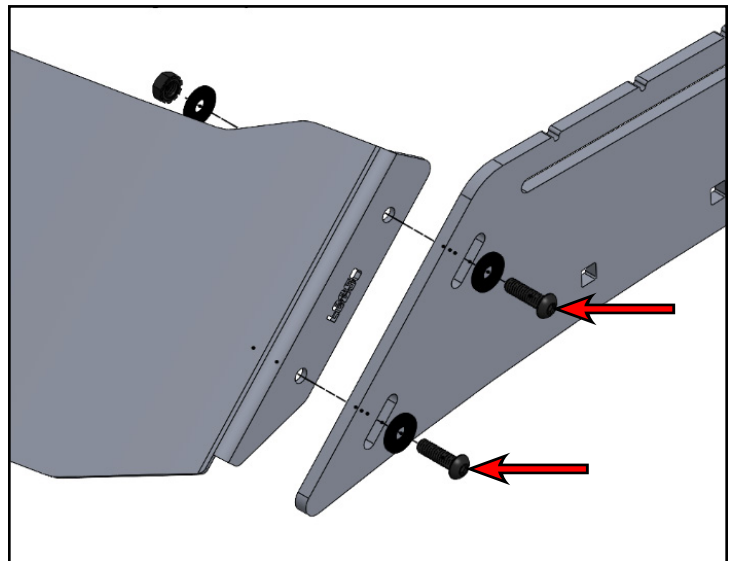
Step #7 | Scissors -OR- Shears

Install the provided front fairing weatherstripping (highlighted in **GREEN**) onto the bottom edge of the front fairing and ensure that the weatherstripping is fully installed onto the front fairing. Trim any excess weatherstripping as needed.



Step #8 | 4mm Hex (Allen) & 7/16" SAE Wrench

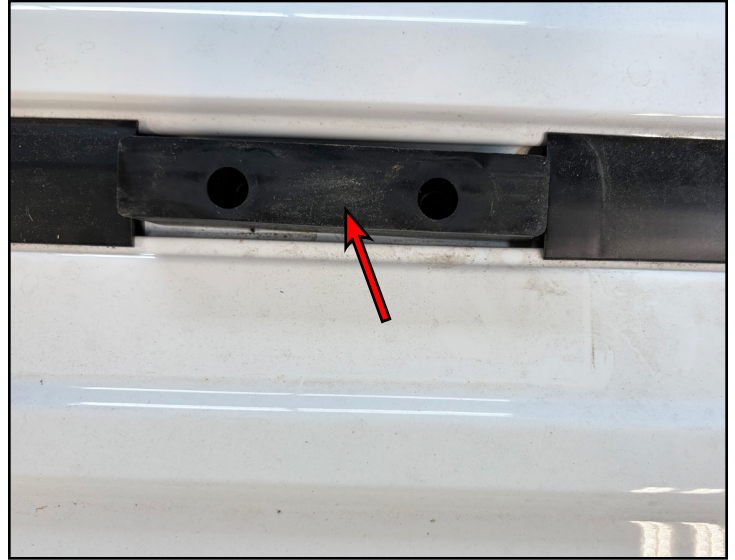
Collect the required 1/4" screws, washers and keps nuts. Install the front fairing into place and loosely install the provided 1/4" hardware (arrows) through the LH & RH sides of the front fairing to secure it in place.



Section 2: Installing the New Roof Rack

Step #9

Install the rubber mounting pads (arrow) onto the stock front and rear roof rack mounting locations and align the holes in the bases with the holes in the roof.



Step #10

Lift the assembled roof rack onto the vehicle, ensuring that the central and rear bracket locations are aligned with the rubber mounting pads on the vehicle.

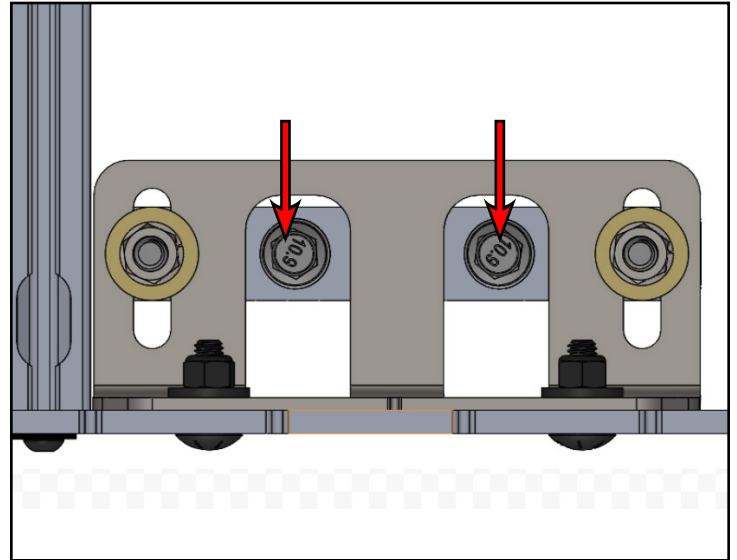


Tech tip: Having a friend or two to assist will be required for this installation.

Section 2: Installing the New Roof Rack

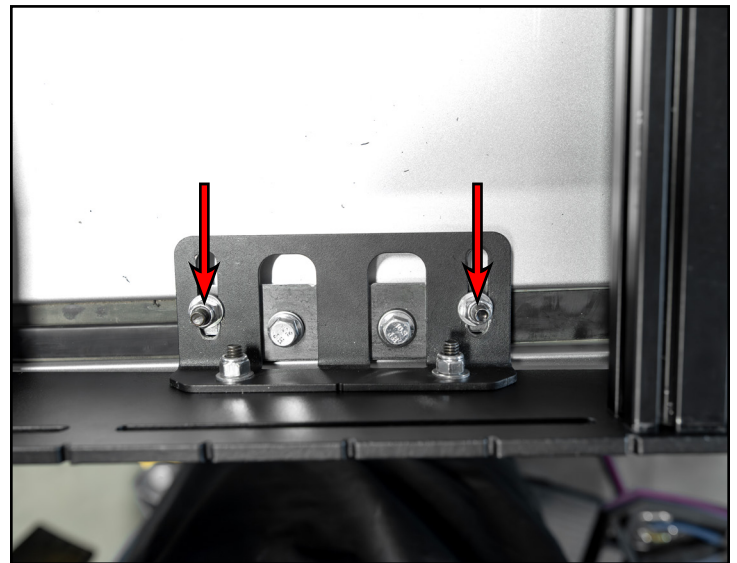
Step #11 | 13mm Socket & Torque Wrench

Collect the required bolts and bonded washers (arrows), then, secure the roof rack to the vehicle with the provided hardware through the uni-feet brackets (as shown in inset photo below), and torque the the bolts to factory specifications.



Step #12 | 9/16" SAE Socket & Ratchet

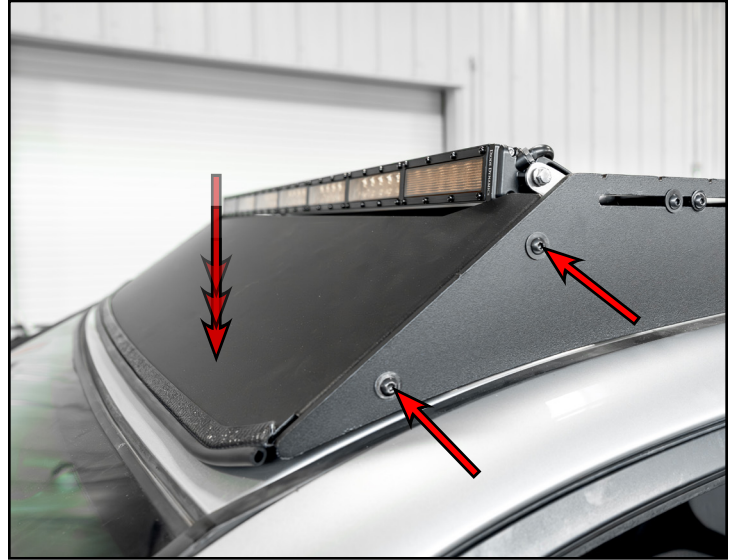
Center the roof rack on the vehicle and fully tighten the 3/8" hardware (arrows) on the front and rear mounting brackets on both sides.



Section 2: Installing the New Roof Rack

Step #13 | 4mm Hex (Allen) & 7/16" SAE Wrench

Push down on the LH & RH sides of the front fairing and ensure that the seal rests flush against the roof of the vehicle, then fully tighten down the 1/4" hardware (arrows) for both sides of the panels.



Step #14

Ensure that all of the roof rack hardware is fully tightened, then mount any roof rack related accessories and enjoy!

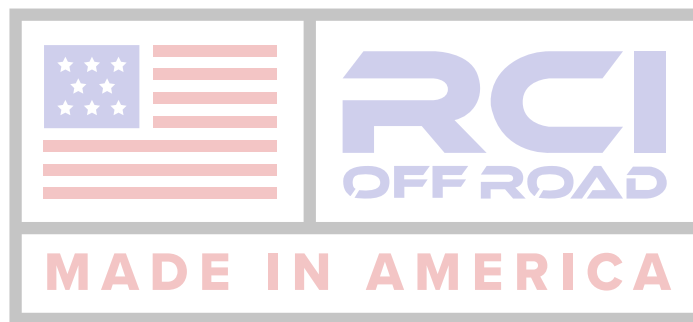


CONGRATULATIONS, YOUR INSTALLATION IS COMPLETE!

ENJOY YOUR NEW RCI PROTECTION!



**Share your new install with us on social media!
We love seeing our products in the wild!**



Follow us on social media:
[instagram.com/rcioffroad/](https://www.instagram.com/rcioffroad/)
[facebook.com/RCIOffroad](https://www.facebook.com/RCIOffroad)
[youtube.com/@RCIOFFROAD](https://www.youtube.com/@RCIOFFROAD)

Contact:
1.970.797.3089
SALES@RCIOFFROAD.COM
6701 N. FRANKLIN AVE. LOVELAND, CO 80538

These instructions are provided as a courtesy by RCI Offroad

Disclaimer: The products sold by RCI Metalworks are intended for off-road use only, should not be modified, and are for use only on the vehicle(s) specifically stated. RCI Metalworks makes no warranties express or implied, including of fitness for a particular purpose or merchantability. RCI Metalworks will not be liable for any damages arising out of the use or misuse of its products. It is the customers' responsibility to ensure the products are safely and properly attached to the vehicle, and all products should be installed by trained professionals. We strive to maintain extremely high-quality standards; however, all RCI Metalworks products are individually handcrafted, may vary slightly, and may contain minor imperfections. Due to the nature of raw aluminum, the material may have minor scratches and other blemishes caused by the manufacturing process, especially on the back side of product. RCI Metalworks is constantly seeking to improve its products and reserves the right to make changes to any product.