

TIME FOR INSTALLATION

30 MINS. - 1 HOUR

RCI OFFROAD

EASY

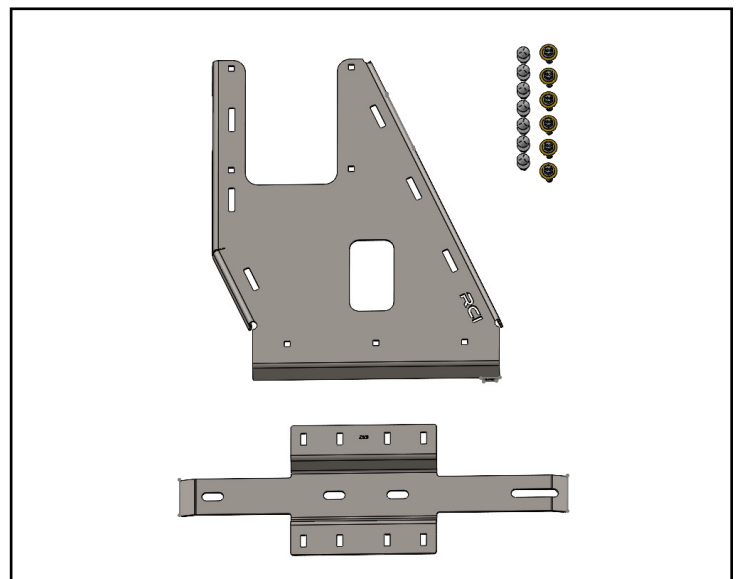
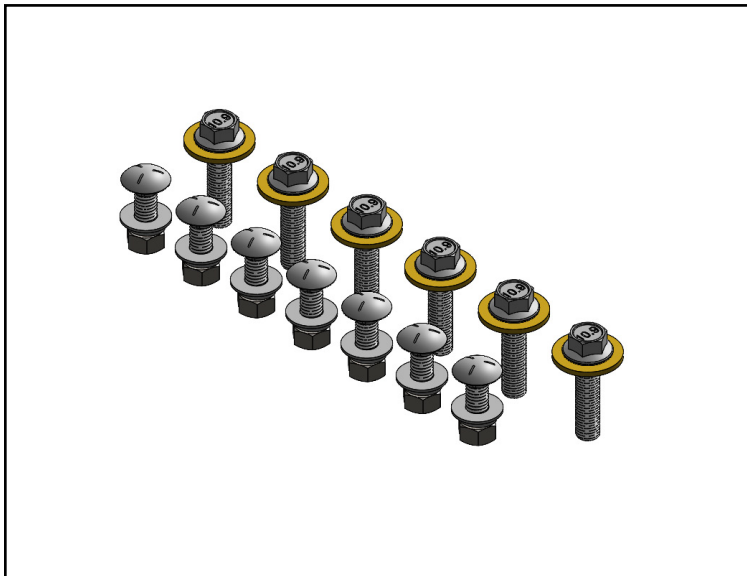
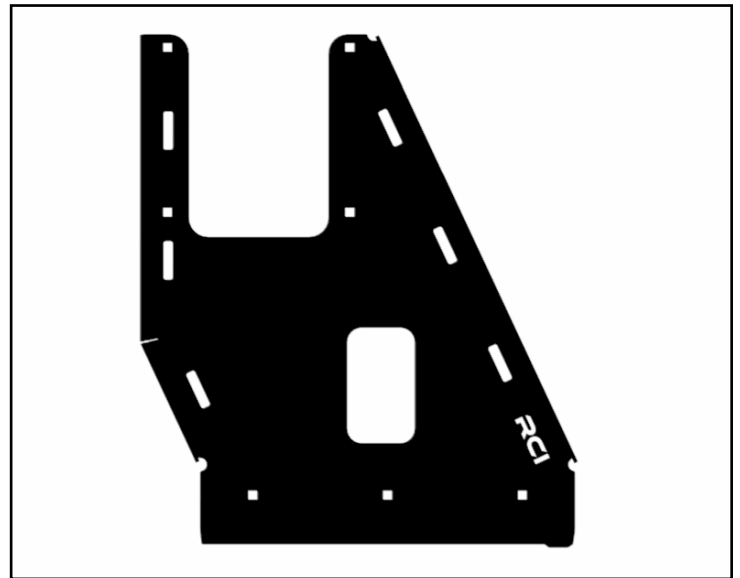


BASIC SKILLS
REQUIRED

18+ JEEP JLU Wrangler Transfer Case Skid Plate Installation Guide

Contact RCI: SALES@RCIOFFROAD.COM
(970) 797-3089

Part Number	Description	Qty:
SM-01267	JLU T-Case Skid Plate	1
SM-01273	JLU Stand Off-Middle	1
HK-00181	JLU T-Case Skid Plate HW Kit:	1
HW-00203	M12-1.5 x 50mm Hex Flange Bolt	6
HW-00022	1/2 USS Flat Washer Thru Hard	6
HW-00045	7/16 Split Lock Washer Zinc	7
HW-00047	7/16-14 FIN Hex Nut GR-5 Zinc	7
HW-00044	7/16 USS Flat Washer Zinc	7
HW-00188	7/16-14 x 1.5 Carriage Bolt GR-5	7



Caution: Use hand tools, impact wrenches may cause damage if over torqued.

Read the entire notes and instructions before installation.

Installation Notes

Installation Notes:

RH refers to the passenger side of the vehicle.

LH refers to the driver side of the vehicle.

Always use the proper torque specifications.

If applicable to this installation, torque specifications will be listed throughout the document.

Please read all of these instructions and familiarize yourself with the complete process **BEFORE** you begin.

General Safety:

Park your car in a safe, well lit, level area.

Shut the engine off and remove the key from the ignition switch.

Make sure any remote start devices are properly disabled.

ALWAYS wear safety glasses.

Make sure the parking brake is applied until the vehicle is safely lifted and supported.

Whether lifting a vehicle using an automotive lift or a hydraulic jack, utilize the factory specified lift points.

Lifting a vehicle in an incorrect location can cause damage to the suspension/running gear.

ALWAYS support the vehicle with properly rated jack stands.

ALWAYS read and follow all safety information and warnings for the equipment you are using.

Required Tools:

1/4", 3/8" & 1/2" Socket Sets & Ratchets

Floor Jack

Jack Stands

Combination Wrench Set

Plier Set

Torque Wrenches

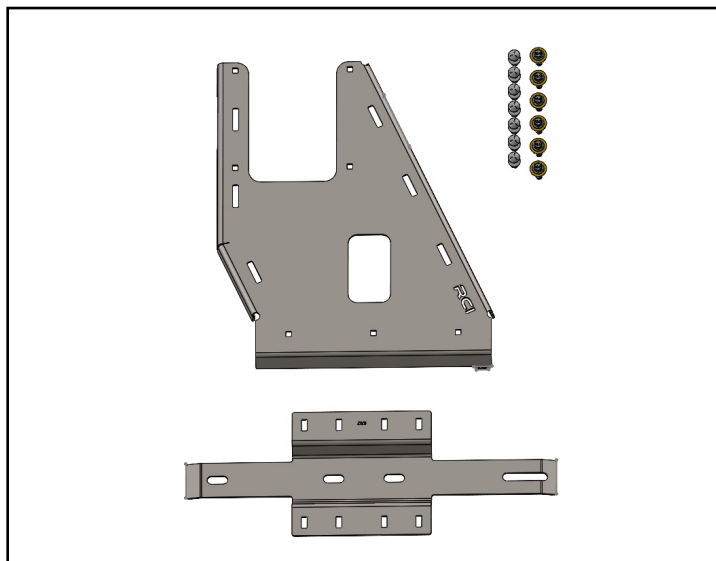
Installation Overview:

Before installation, remove all components and hardware from their packaging and verify that all the components are present.

Section 1: Removing the Stock Components

Step #1

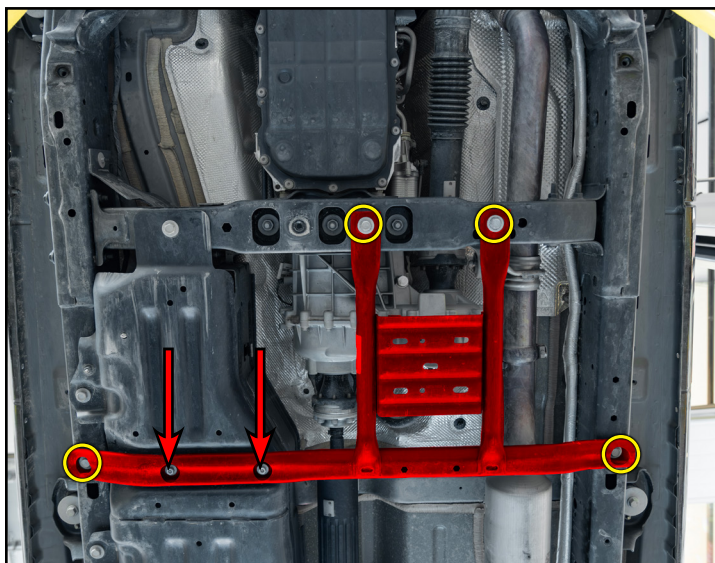
Remove all of the components and hardware from its packaging, then verify all the components are present.



Step #2 Required tools

Support the rearmost cross member (highlighted in **RED**) from underneath. Remove the nuts (arrows), then remove the bolts (circled in **YELLOW**) that secure the rear cross member to the vehicle. Remove the cross member and set it aside.

For NON-4x4 Installations: skip ahead to **step 4**.

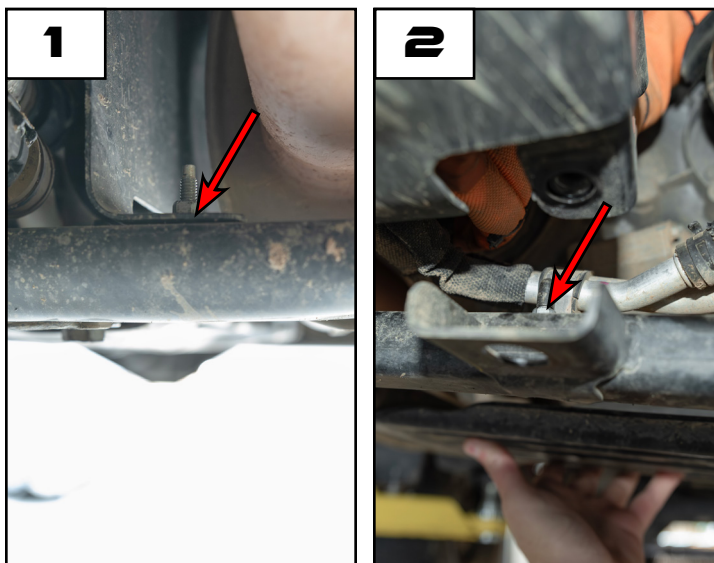


Section 1: Removing the Stock Components

Step #3	Required Tools
---------	----------------

For 4XE installations only: Remove the nut (arrow in **photo #1**) that secures the bracket to the rearmost cross member.

Remove the nut (arrow in **photo #2**) that secure the lines to the rearmost cross-member.



Step #4	18mm Socket & Ratchet
---------	-----------------------

Remove the bolt (circled in **YELLOW**) that secures the front of the fuel tank skid to the cross-member.

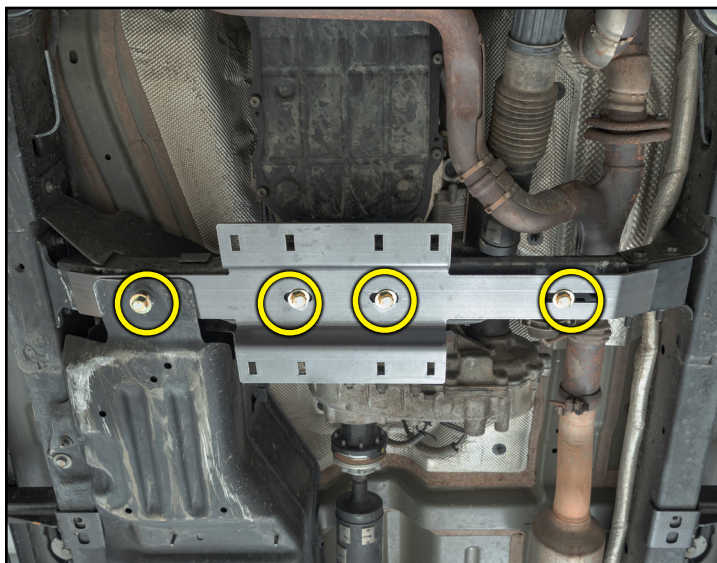


Section 2: Installing the New Skid Plate

Step #1 19mm Socket & Ratchet

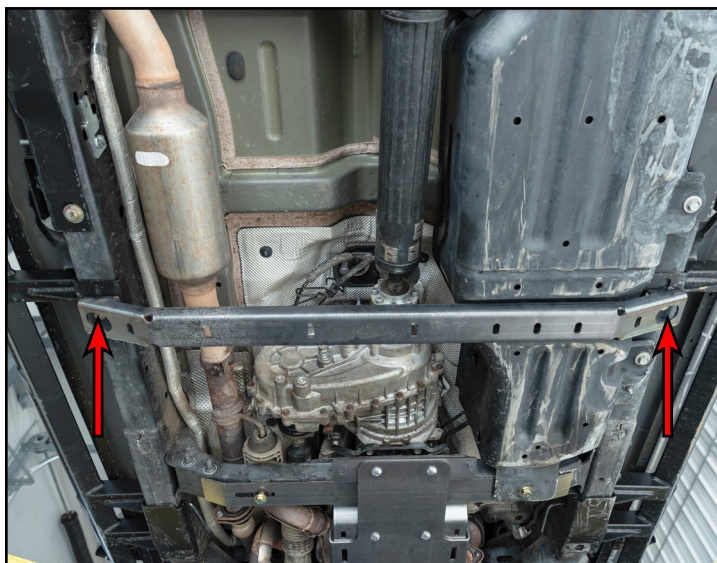
Install the provided center mounting bracket over the transmission cross-member underneath the OEM fuel tank skid plate, then align the edges of the bracket with the cross-member edges, and loosely secure the bracket in place with the provided M12 hardware (circled in **YELLOW**).

Tech tip: If installing with an RCI transmission skid plate, install the transmission skid plate prior to installing the transfer case skid plate.



Step #2 19mm Socket & Ratchet

Install the provided rear cross-member and align the edges of the cross-member with the outer frame rails then loosely secure it in place with the provided M12 hardware (arrows).



Section 2: Installing the New Skid Plate

Step #3 | Floor Jack -OR Pole Jack

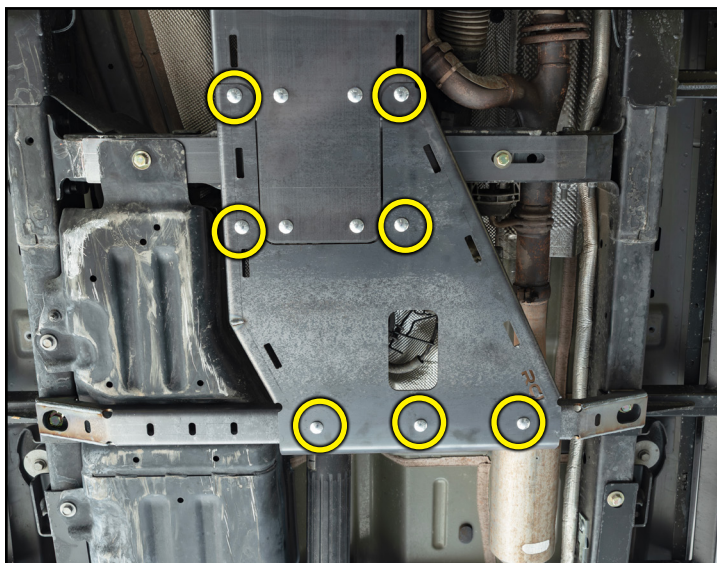
Lift the new transfer case skid plate up into place and support the skid plate from underneath.



Step #4 | 11/16" Socket & Ratchet

Secure the skid plate to the rear cross-member and center support bracket using the provided carriage bolts, flat washers, split-lock washers and nuts (circled in **YELLOW**).

Adjust the skid plate and cross-members until desired fitment has been achieved, then ensure that all of the previously installed hardware is fully tightened and the M12 bolts are torqued to 48 Ft-lbs (65 Nm), and enjoy your new RCI protection!

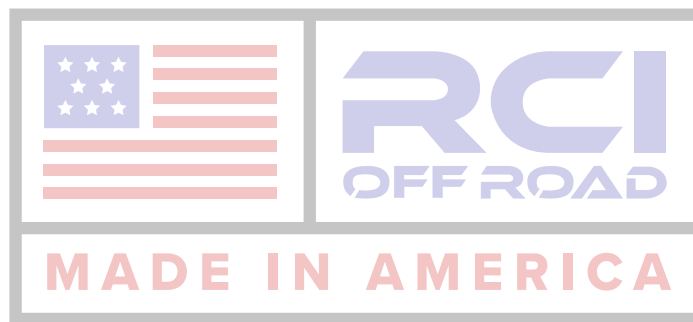


CONGRATULATIONS, YOUR INSTALLATION IS COMPLETE!

ENJOY YOUR NEW RCI PROTECTION!



**Share your new install with us on social media!
We love seeing our products in the wild!**



Follow us on social media:
[instagram.com/rcioffroad/#](https://www.instagram.com/rcioffroad/)
[facebook.com/RCIOffroad](https://www.facebook.com/RCIOffroad)
[youtube.com/@RCIOFFROAD](https://www.youtube.com/@RCIOFFROAD)

Contact:
1.970.797.3089
SALES@RCIOFFROAD.COM
6701 N. FRANKLIN AVE. LOVELAND, CO 80538

These instructions are provided as a courtesy by RCI Offroad

Disclaimer: The products sold by RCI Metalworks are intended for off-road use only, should not be modified, and are for use only on the vehicle(s) specifically stated. RCI Metalworks makes no warranties express or implied, including of fitness for a particular purpose or merchantability. RCI Metalworks will not be liable for any damages arising out of the use or misuse of its products. It is the customers' responsibility to ensure the products are safely and properly attached to the vehicle, and all products should be installed by trained professionals. We strive to maintain extremely high-quality standards; however, all RCI Metalworks products are individually handcrafted, may vary slightly, and may contain minor imperfections. Due to the nature of raw aluminum, the material may have minor scratches and other blemishes caused by the manufacturing process, especially on the back side of product. RCI Metalworks is constantly seeking to improve its products and reserves the right to make changes to any product.