

TIME FOR INSTALLATION

30 MINS. - 1 HOUR

RCI OFFROAD

EASY

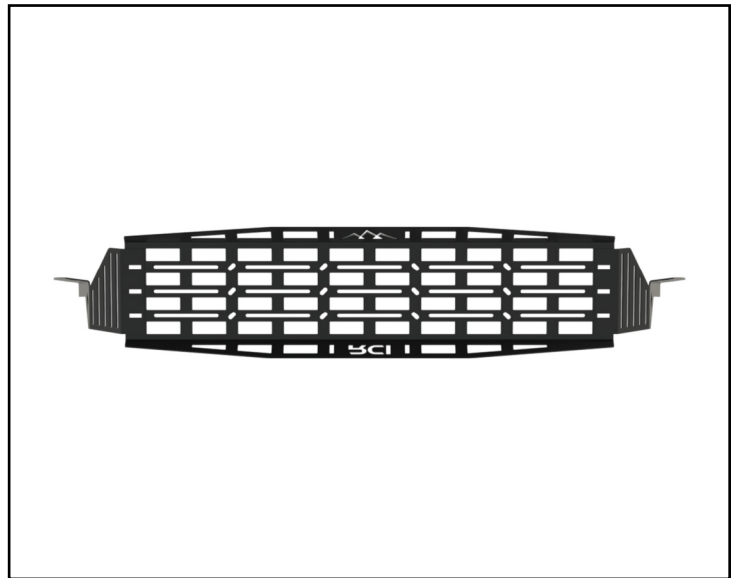


BASIC SKILLS
REQUIRED

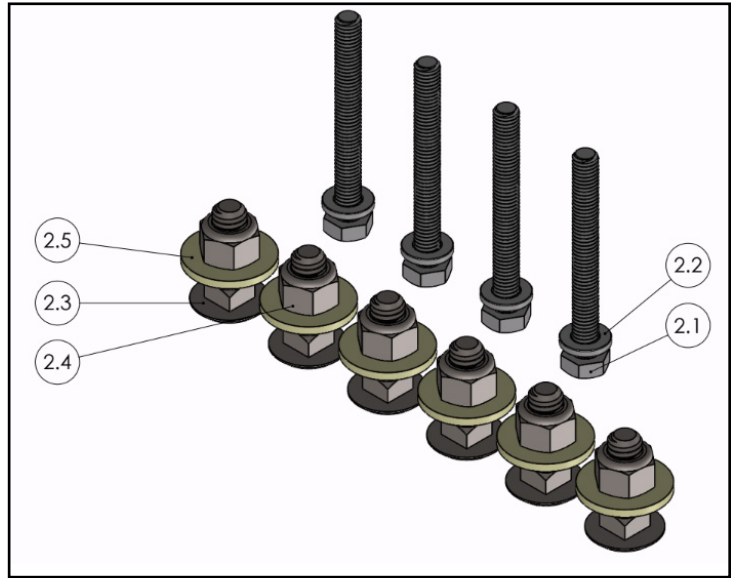
24+ Toyota Tacoma Overhead Molle Panel Installation Guide

Contact RCI: SALES@RCIOFFROAD.COM
(970) 797-3089

Part Number	Description	Qty:
SM-01199	24+ Tacoma Interior Molle Panel	1
SM-01200	24+ Tacoma Interior Molle Bracket (Pass)	1
SM-01201	24+ Tacoma Interior Molle Bracket (Driver)	1
HK-00174	Kit: 24+ Tacoma Interior Molle Hardware	1
HW-00211	M6-1 x 55mm Hex Bolt Zinc	4
HW-00212	M6 Flat Washer	4
HW-00061	5/16-18 x 1 Carriage Bolt GR-5	6
HW-00062	5/15-18 Nylon Insert Lock Nut	6
HW-00037	5/16 USS Flat Washer Zinc	6



***Raw aluminum shown for installation purposes only.**



Caution: Use hand tools, impact wrenches may cause damage if over torqued.

Read the entire notes and instructions before installation.

Installation Notes

Installation Notes:

RH refers to the passenger side of the vehicle.

LH refers to the driver side of the vehicle.

Always use the proper torque specifications.

If applicable to this installation, torque specifications will be listed throughout the document.

Please read all of these instructions and familiarize yourself with the complete process **BEFORE** you begin.

General Safety:

Park your car in a safe, well lit, level area.

Shut the engine off and remove the key from the ignition switch.

Make sure any remote start devices are properly disabled.

ALWAYS wear safety glasses.

Make sure the parking brake is applied until the vehicle is safely lifted and supported.

Whether lifting a vehicle using an automotive lift or a hydraulic jack, utilize the factory specified lift points.

Lifting a vehicle in an incorrect location can cause damage to the suspension/running gear.

ALWAYS support the vehicle with properly rated jack stands.

ALWAYS read and follow all safety information and warnings for the equipment you are using.

Required Tools:

1/4", 3/8" & 1/2" Socket Sets & Ratchets

Combination Wrench Set

Torque Wrenches

Panel Trim Removal Tool

Installation Overview:

Before installation, remove all components and hardware from their packaging and verify that all the components are present.

Section 1: Removing the Stock Components

Step #1	Panel Trim Removal Tool
----------------	--------------------------------

Remove all components and hardware from their packaging and verify that all the components are present.

Release the plastic covers (highlighted in **RED**) to gain access to the hardware.



Step #2	10mm Socket & Ratchet
----------------	----------------------------------

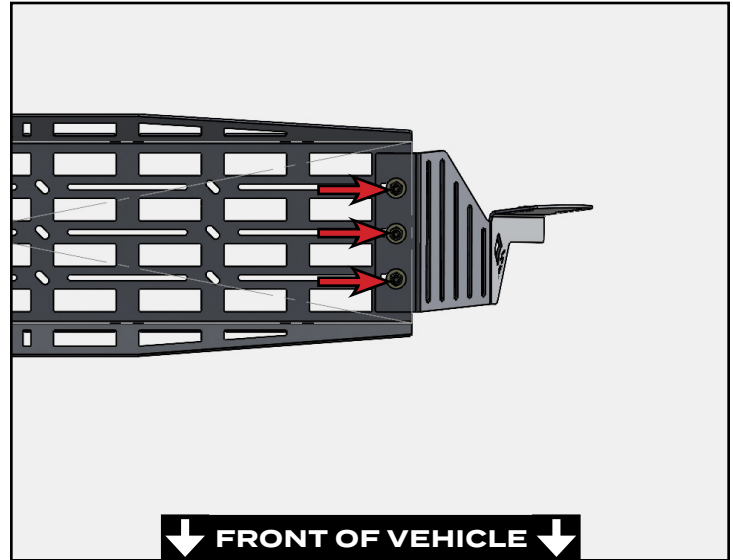
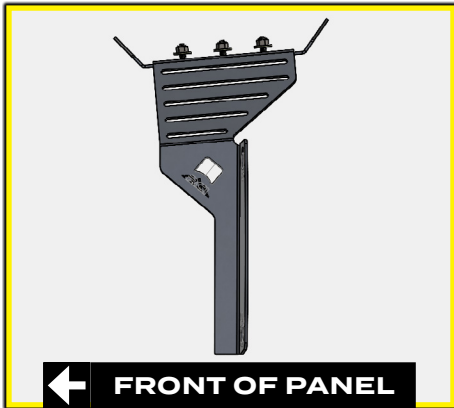
Remove the M6 bolts (arrows) that secure the door handles to the B-pillar of the vehicle, then remove the handles and set them aside.



Section 2: Installing the New Interior Molle Panel

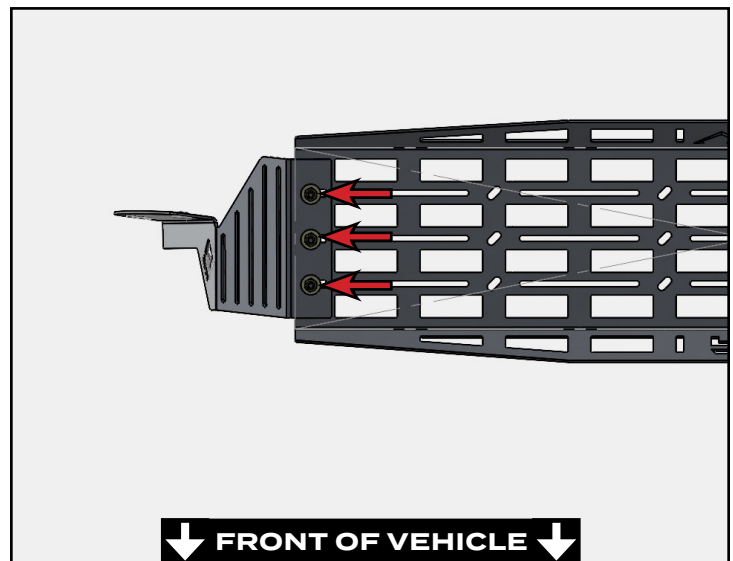
Step #1 1/2 Socket & Ratchet

Install the LH (driver) side molle panel bracket to the molle panel as shown, then secure the brackets with the provided 5/16" hardware (arrows).



Step #2 1/2 Socket & Ratchet

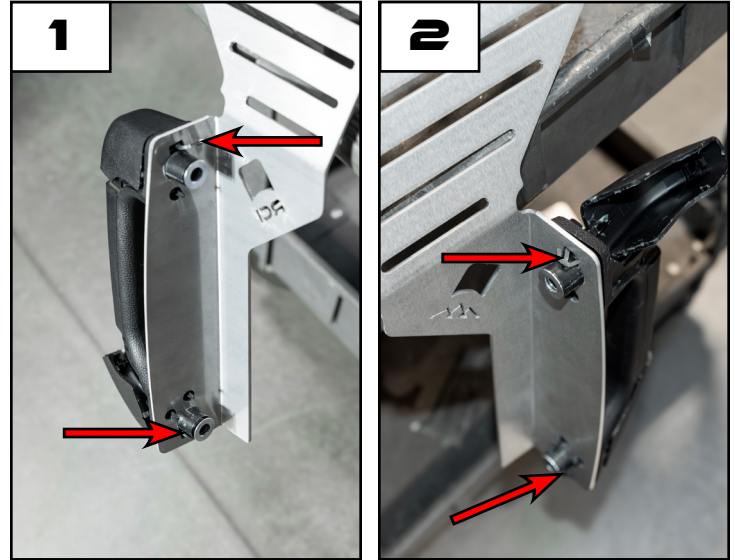
Install the RH (passenger) side molle panel bracket to the molle panel as shown, then secure the brackets with the provided 5/16" hardware (arrows).



Section 2: Installing the New Interior Molle Panel

Step #3

Install the OEM grab handles into the driver and passenger side molle brackets as shown in the photos. The clips (arrows) will help secure the handles to the brackets during installation.



Step #4

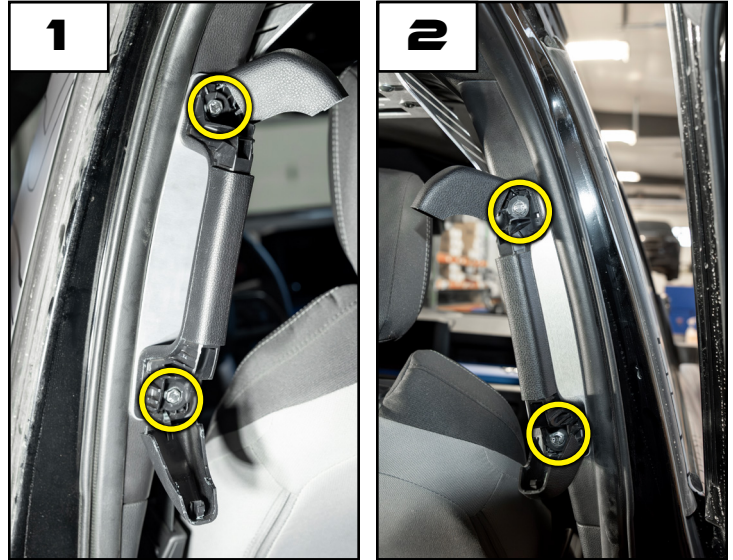
Tech Tip: Installation can be easier when resting the assembled molle panel on top of the driver and passenger seat head rests, then install one side at a time.



Section 2: Installing the New Interior Molle Panel

Step #5 | 10mm Socket & Ratchet

Align the molle panel bracket and OEM grab handles with their mounting locations, then secure them in place with the provided M6 hardware (circled in **YELLOW**).



Step #6 | Required tools

Reinstall the plastic covers (highlighted in **GREEN**) for both LH & RH grab handles.



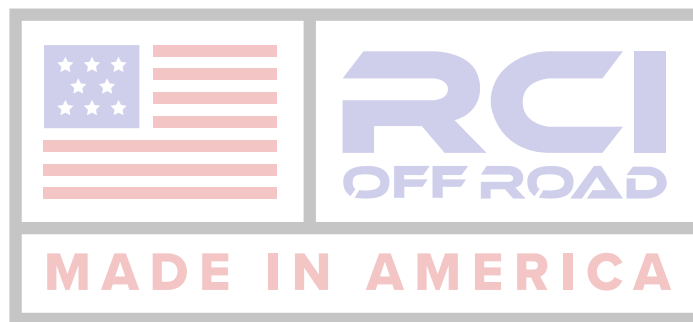
CONGRATULATIONS, YOUR INSTALLATION IS COMPLETE!

ENJOY YOUR NEW RCI PROTECTION!



***Raw aluminum shown for installation purposes only.**

**Share your new install with us on social media!
We love seeing our products in the wild!**



Follow us on social media:
[instagram.com/rcioffroad/#](https://www.instagram.com/rcioffroad/)
[facebook.com/RCIOffroad](https://www.facebook.com/RCIOffroad)
[youtube.com/@RCIOFFROAD](https://www.youtube.com/@RCIOFFROAD)

Contact:
1.970.797.3089
SALES@RCIOFFROAD.COM
6701 N. FRANKLIN AVE. LOVELAND, CO 80538

These instructions are provided as a courtesy by RCI Offroad

Disclaimer: The products sold by RCI Metalworks are intended for off-road use only, should not be modified, and are for use only on the vehicle(s) specifically stated. RCI Metalworks makes no warranties express or implied, including of fitness for a particular purpose or merchantability. RCI Metalworks will not be liable for any damages arising out of the use or misuse of its products. It is the customers' responsibility to ensure the products are safely and properly attached to the vehicle, and all products should be installed by trained professionals. We strive to maintain extremely high-quality standards; however, all RCI Metalworks products are individually handcrafted, may vary slightly, and may contain minor imperfections. Due to the nature of raw aluminum, the material may have minor scratches and other blemishes caused by the manufacturing process, especially on the back side of product. RCI Metalworks is constantly seeking to improve its products and reserves the right to make changes to any product.