

TIME FOR INSTALLATION

1-2 HOURS



EASY



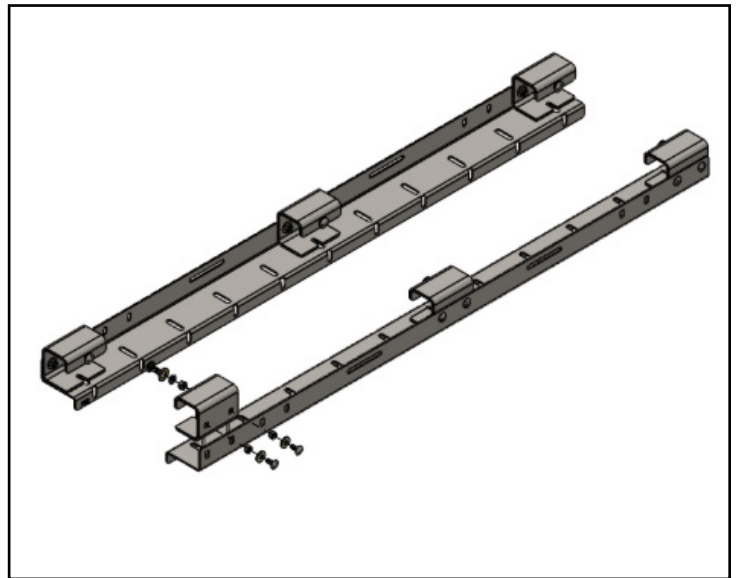
BASIC SKILLS  
REQUIRED

# RCI Modular Tonneau Adapter Installation Guide

Contact RCI: [SALES@RCIOFFROAD.COM](mailto:SALES@RCIOFFROAD.COM)  
(970) 797-3089

Part Number	Description	Qty:
SM-00690	12ga Tonneau Plate Z-Bracket	2
SM-00294	Bedrack Tonneau Bracket 188ms	6
SM-00434	.188ms Bed Bars Bedrack Tonneau Bracket	6*
HK-00038	Kit: Bed Rack Tonneau Adapter	1
HW-00052	3/8-16 x 1" Carriage Bolt	6
HW-00026	3/8" USS Flat Washer	6
HW-00029	3/8" Split Lock Washer Zinc	6
HW-00030	3/8-16 FIN Hex Nut Zinc	6
HW-00067	5/16" x 3/4" Carriage bolt	12
HW-00037	5/16" USS Flat Washer	12
HW-00062	5/16" Nylock Nut	12

\*If the 9" bed bar configuration is ordered the quantity will vary



**Read the entire notes and instructions before installing the template.**

**Caution:** Use hand tools, impact wrenches may cause damage if over torqued.

**\*\*Due to the high variability between tonneau cover systems, RCI accepts no responsibility for improper use and/or any damage that occurs due to insufficient or improper installation.\*\***

# Installation Notes

## Installation Notes:

**RH** refers to the passenger side of the vehicle.

**LH** refers to the driver side of the vehicle.

Always use the proper torque specifications.

If applicable to this installation, torque specifications will be listed throughout the document.

Please read all of these instructions and familiarize yourself with the complete process **BEFORE** you begin.

## General Safety:

Park your car in a safe, well lit, level area.

Shut the engine off and remove the key from the ignition switch.

Make sure any remote start devices are properly disabled.

**ALWAYS** wear safety glasses.

Make sure the parking brake is applied until the vehicle is safely lifted and supported.

Whether lifting a vehicle using an automotive lift or a hydraulic jack, utilize the factory specified lift points.

Lifting a vehicle in an incorrect location can cause damage to the suspension/running gear.

**ALWAYS** support the vehicle with properly rated jack stands.

**ALWAYS** read and follow all safety information and warnings for the equipment you are using.

## Required Tools:

1/4", 3/8" & 1/2" Socket Sets & Ratchets

Combination Wrench Set

# Section 1: Installing the New Tonneau Adapters

## Step #1

Unpack and remove all components and hardware from their packaging and verify that all the components are present.



## Step #2

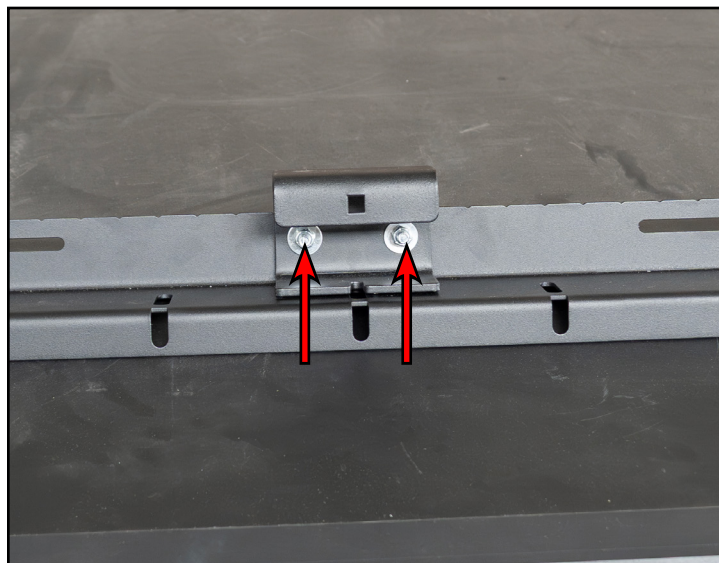
If the tonneau cover is installed previously on the vehicle, the tonneau cover will need to be removed to install the RCI tonneau adapters.



## Section 1: Installing the New Tonneau Adapters

### Step #3 1/2" SAE Socket & Ratchet

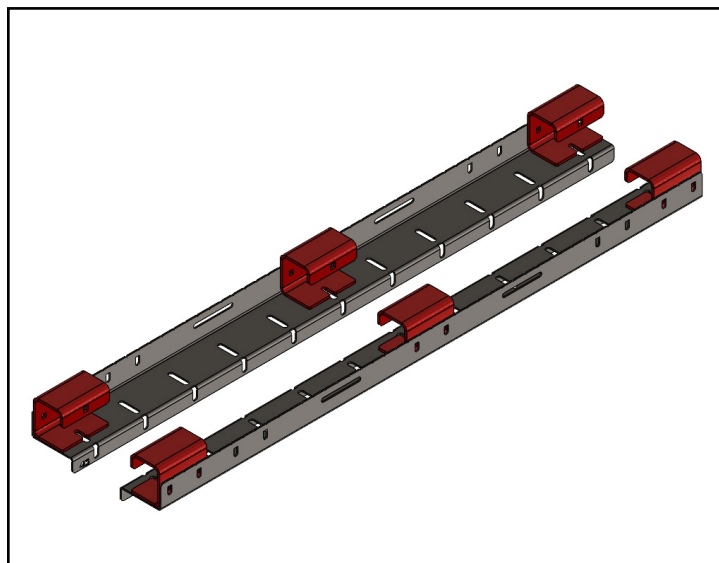
Install the provided C-brackets onto the Z-brackets using the provided 5/16" hardware (arrows). Reference *steps 3a, 3b & 3c* below for specific adapter kit installation.



### Step #3a 1/2" SAE Socket & Ratchet

**HD tonneau adapter kit:** Align each of the C-brackets (highlighted in **RED**) with the corresponding vertical rectangular slots in the Z-brackets and secure it with the provided hardware. Proceed to *step #4*.

**NOTE:** the lower face of the c-bracket has to be coincident with the horizontal face of the Z-Bracket. Alternatively, leave them loose and use the weight of the bed rack to apply downward pressure to them later.

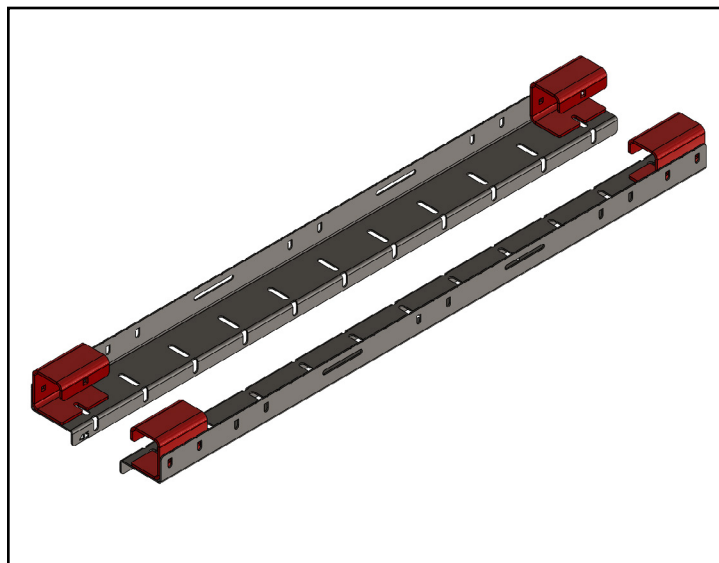


## Section 1: Installing the New Tonneau Adapters

### Step #3b 1/2" SAE Socket & Ratchet

**Sport tonneau adapter kit:** Align each of the provided C-brackets (highlighted in **RED**) with the corresponding vertical rectangular slots at the ends of the Z-brackets and secure them with the provided hardware. Proceed to *step #4*.

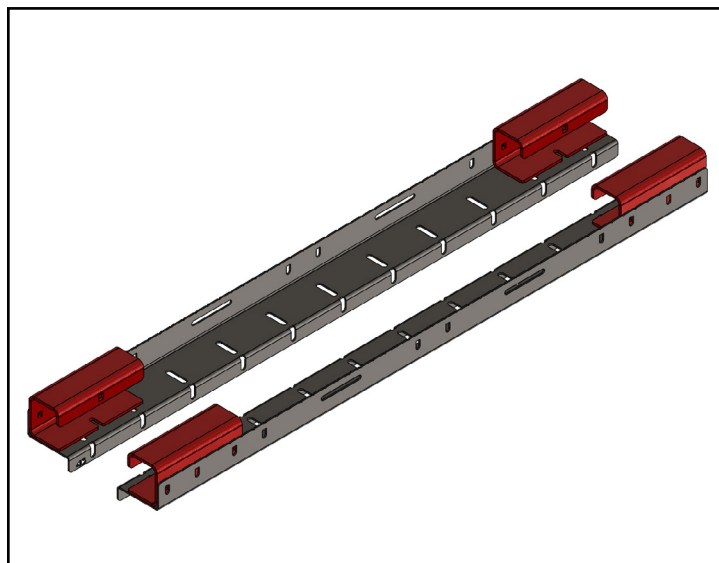
**NOTE:** the lower face of the c-bracket has to be coincident with the horizontal face of the Z-Bracket. Alternatively, leave them loose and use the weight of the bed rack to apply downward pressure to them later.



### Step #3c 1/2" SAE Socket & Ratchet

**9" bed bar tonneau adapter kit:** Align the provided C-brackets (highlighted in **RED**) with the slots of the Z-brackets, install into desired locations and secure them using the provided hardware.

**NOTE:** the lower face of the c-bracket has to be coincident with the horizontal face of the Z-Bracket. Alternatively, leave them loose and use the weight of the bed rack to apply downward pressure to them later.

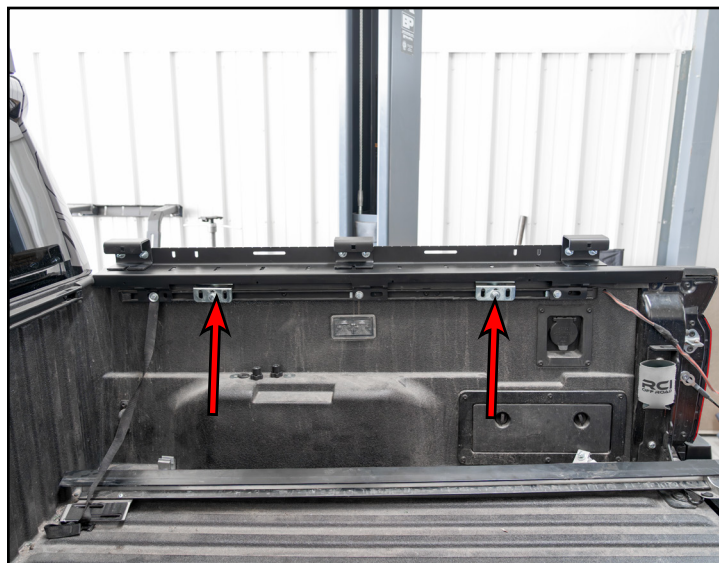


## Section 1: Installing the New Tonneau Adapters

### Step #4

Place the assembled tonneau adapter kit brackets onto the bed rails of the vehicle. Adjust the assembled tonneau adapter kit brackets on the bed rails to be as aligned as possible with the mounting locations of the tonneau cover.

**NOTE:** In some cases, the tonneau cover mounting leaves enough clearance to mount the RCI Tonneau Adapters directly to the accessory rail within the bed, or with the use of RCI Bed Rack Adapting Mounting Plates (as shown with RCI 24+ Tacoma Bed Rack Adapters arrows).



\*Installation as shown with Toyota factory mounting adapters

### Step #5

Because the RCI tonneau adapters (highlighted in **GREEN**) are secured by clamping pressure of the tonneau cover and are not directly mounted to the vehicle, alignment of the tonneau adapter kit with the mounting locations of the tonneau cover is critical for a secure installation.



# Section 1: Installing the New Tonneau Adapters

## Step #6

Refer to the tonneau cover manufacturer's installation guide to install the tonneau cover with the RCI tonneau adapters in place.



## Step #7

Refer to the RCI adjustable bed rack or 9" bed bar installation guide for bed rack installation.

**CAUTION:** when the bed bars are attached to the C-brackets ensure that there is no more than a 0.75mm (roughly a credit card thickness) gap between the C-bracket and the bedrack foot (arrow).

**CAUTION:** If removing the bed rack and reinstalling, repeat the same installation procedure in the bed rack installation guide to ensure a proper gap is maintained.



**CAUTION:** The RCI tonneau adapter kit is intended for light use. If you intend to use the RCI tonneau adapter kit off-road, secure the tonneau adapters to the bed rails utilizing the provided slots on the vertical and horizontal surfaces of the Z-brackets by drilling a hole and using your desired hardware combination.

**CONGRATULATIONS, YOUR INSTALLATION IS COMPLETE!**

**ENJOY YOUR NEW RCI PROTECTION!**



**\*\*Due to the high variability between tonneau cover systems, RCI accepts no responsibility for improper use and/or any damage that occurs due to insufficient or improper installation.\*\***

**Share your new install with us on social media!  
We love seeing our products in the wild!**



**Follow us on social media:**  
[instagram.com/rcioffroad/](https://www.instagram.com/rcioffroad/)  
[facebook.com/RCIOffroad](https://www.facebook.com/RCIOffroad)  
[youtube.com/@RCIOFFROAD](https://www.youtube.com/@RCIOFFROAD)

**Contact:**  
1.970.797.3089  
[SALES@RCIOFFROAD.COM](mailto:SALES@RCIOFFROAD.COM)  
6701 N. FRANKLIN AVE. LOVELAND, CO 80538

**These instructions are provided as a courtesy by RCI Offroad**

Disclaimer: The products sold by RCI Metalworks are intended for off-road use only, should not be modified, and are for use only on the vehicle(s) specifically stated. RCI Metalworks makes no warranties express or implied, including of fitness for a particular purpose or merchantability. RCI Metalworks will not be liable for any damages arising out of the use or misuse of its products. It is the customers' responsibility to ensure the products are safely and properly attached to the vehicle, and all products should be installed by trained professionals. We strive to maintain extremely high-quality standards; however, all RCI Metalworks products are individually handcrafted, may vary slightly, and may contain minor imperfections. Due to the nature of raw aluminum, the material may have minor scratches and other blemishes caused by the manufacturing process, especially on the back side of product. RCI Metalworks is constantly seeking to improve its products and reserves the right to make changes to any product.