

RCI 10-24 4runner Arapaho Bumper Installation Guide

ITEM NO.	PART NUMBER	DESCRIPTION	QTY.
1	SM-00872	10+ T4R Arapaho Bumper	1
2	SM-00878	10+ T4R Arapaho Mounting Bracket	2
3	HW-00188	7/16-14 X 1.5 CARRIAGE BOLT GR-5	4
4	HW-00045	7/16 SPLIT LOCK WASHER ZINC	4
5	HW-00047	7/16-14 FIN HEX NUT GR-5 ZINC	4
6	HW-00063	M12-1.25 X 25MM HEX FLANGE	2
7	HW-00022	1/2 USS FLAT WASHER THRU HARD	6
8	HW-00077	M10-1.25 X 30MM HEX FLANGE	8
9	HW-00026	3/8 USS FLAT WASHER THRU HARD	8



UNLESS OTHERWISE SPECIFIED:	PROPRIETARY AND CONFIDENTIAL	NAME	DATE
DIMENSIONS ARE IN INCHES TOLERANCES FRACTIONAL: ±0.010 DECIMAL: ±0.015 TWO PLACE DECIMAL: ±0.010 THREE PLACE DECIMAL: ±0.005	THE INFORMATION CONTAINED IN THIS DRAWING IS THE SOLE PROPERTY OF RCI OFFROAD. ANY REPRODUCTION IN PART OR AS A WHOLE WITHOUT THE WRITTEN PERMISSION OF RCI OFFROAD IS PROHIBITED.	DRAWN	DATE
		Export Date 10/10/2024	
RCI OFFROAD			
TITLE: 10-24 4Runner Arapaho Front Bumper Install Guide BOM			
Item Number Default		REV 1	
DO NOT SCALE DRAWING		SCALE: 1:50/WEIGHT:	SHEET 1 OF 1

Figure 1:BOM



Prepping Truck for Installation:

****Use hand tools, impact wrenches may cause damage if over torqued.**

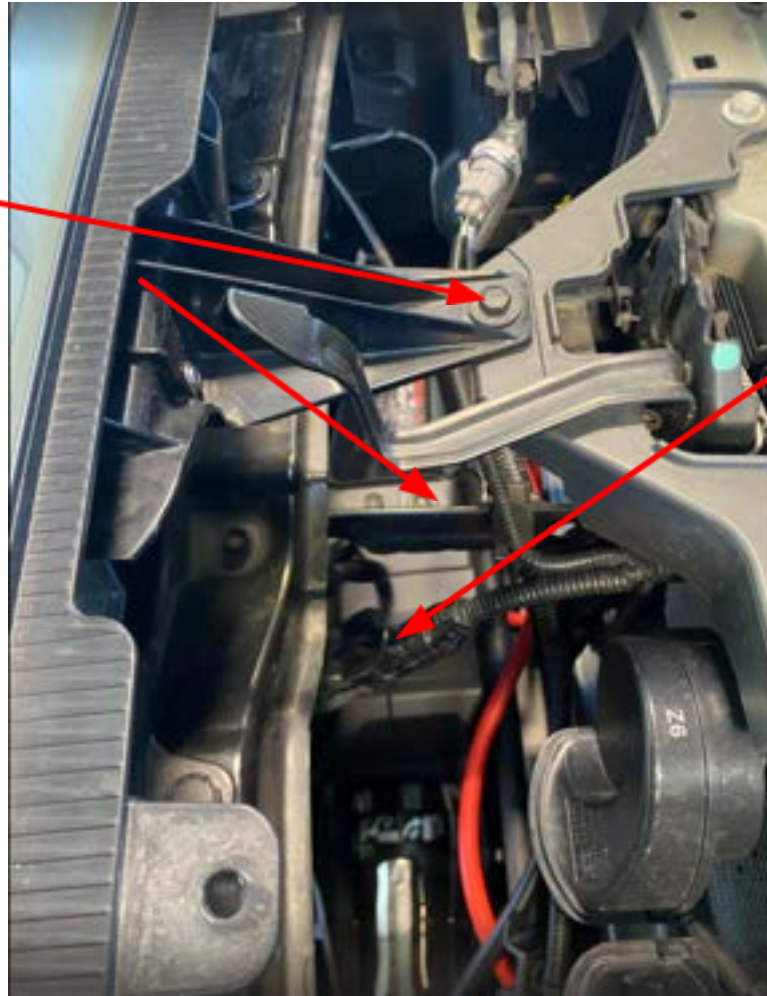
1. Begin by unpacking and removing all components and hardware. Please verify that all hardware, components, and mounting components are present. Please reference your original order invoice and verify all items are accounted for.
2. **PLEASE NOTE: Vehicles with ACC will need to relocate their sensor before moving forward with this install process.**
3. Open the hood of the vehicle and disconnect the negative terminal on the battery before proceeding.
4. Remove and set aside the factory plastic support cover by removing the 13 plastic clips holding it in place.

Remove
and save all
clips.



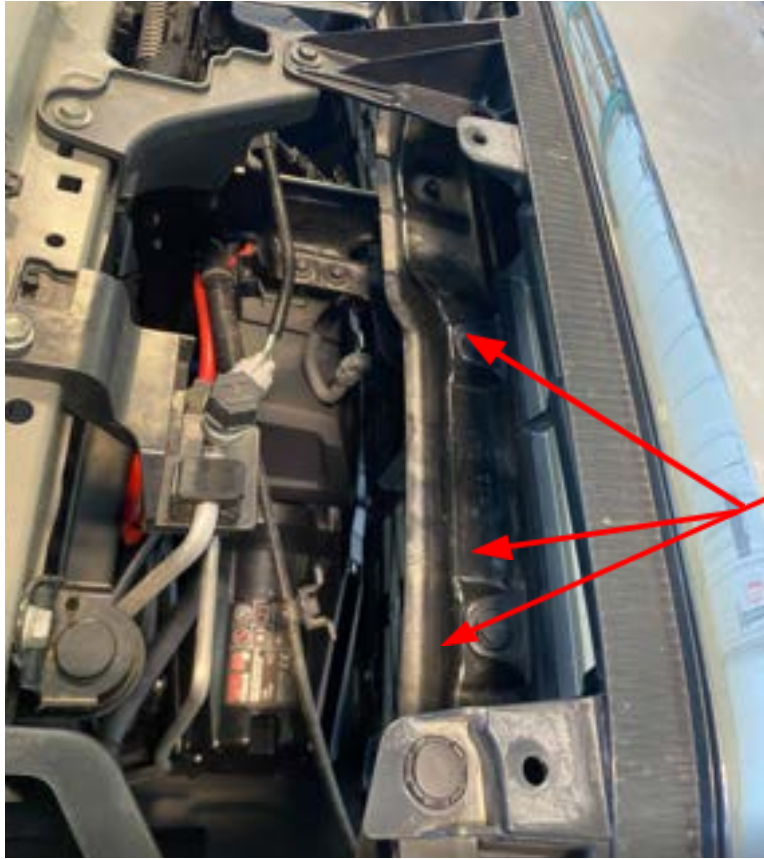
5. Remove the three (3) M10 bolts as depicted below and disconnect the ACC sensor.

Remove
three M10
bolts.



Disconnect
ACC sensor.

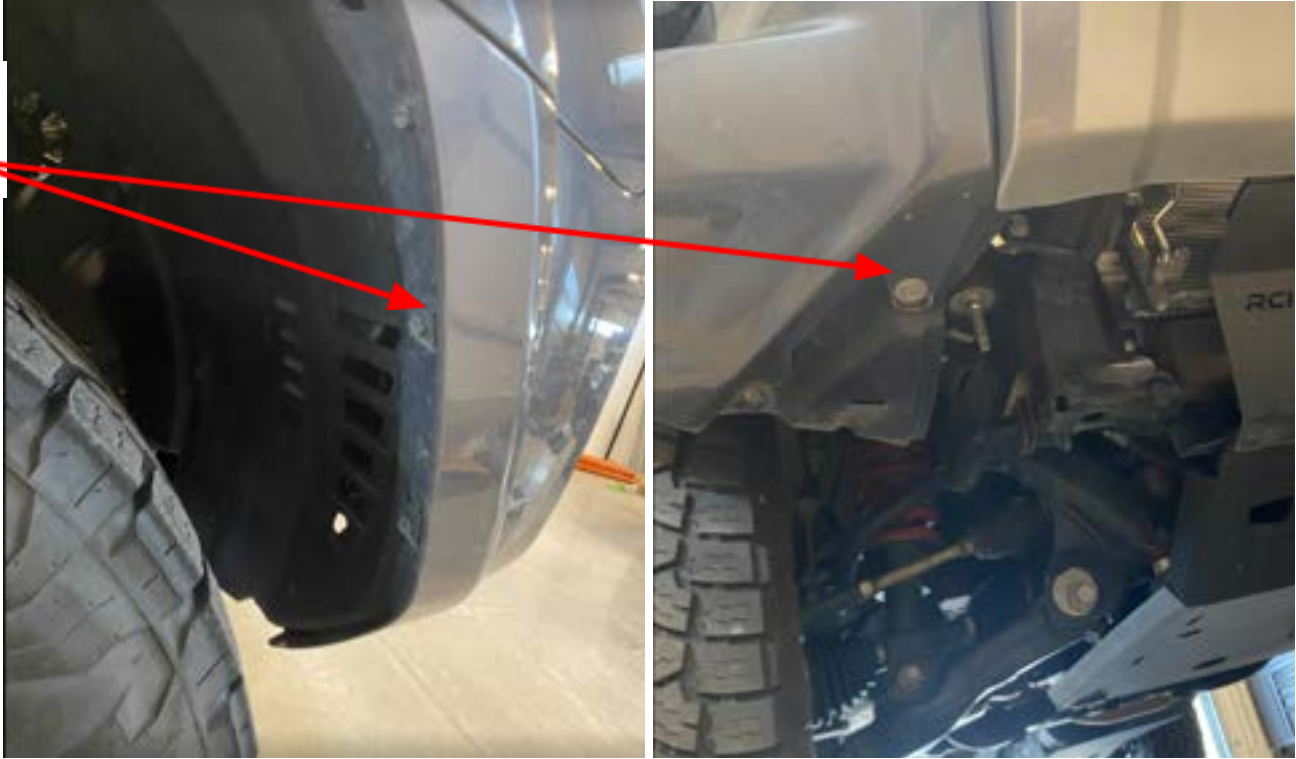
6. Remove the 6 trim clips securing the bumper to the front crossmember.



Remove clips
securing the grill
to the
crossmember.

7. Remove all trim screws inside the vehicle's front wheel well and under the bumper. Save all OEM hardware until the installation is complete.
There will be 5 screws to remove on the passenger side and 6 on the driver side.

Remove all trim screws.



8. Remove the OEM air dam or any filler plates that are connected to the lower side of the bumper.

9. Disconnect the fog lights by unplugging the large connector located behind the driver side fog light.

Disconnect fog lights.



10. After the clips and screws are removed from the bumper, the ACC is unplugged and fog lights are disconnected, the bumper can be removed.

11. The bumper should now only be held on by clips. To disconnect the clips, start from the wheel well and gently pull outward on the wing of the bumper until it separates from the vehicle. Repeat this process around the front of the vehicle until all clips are released.



12. Set the OEM plastic bumper aside once removed from the vehicle.

13. Next take off the OEM crash bar by removing the eight (8) 14mm bolts holding it in place.

Remove the four
(4) 14mm bolts
per side.



14. The radiator plastic air deflectors need to be trimmed for proper fitment of the RCI Bumper.
 - a. Copy the outline of where to cut as shown below.
 - b. Use a utility knife, angle grinder, Dremel or something similar to remove the lower section of the air deflectors.
 - c. Be careful not to cut any wiring or hoses during this step.



15. When installing a winch, the factory power steering line needs to be adjusted to avoid contact.
16. Loosen the 10mm bolt securing the power steering line on each side of the vehicle. Once loose, rotate the up as much as possible before retightening. If a bigger winch is being installed RCI recommends using a zip tie to secure the power steering line to the vertical radiator support. Reference the figure below.

Zip tie if extra room is needed.



Loosen 10mm bolt on each side of the vehicle.

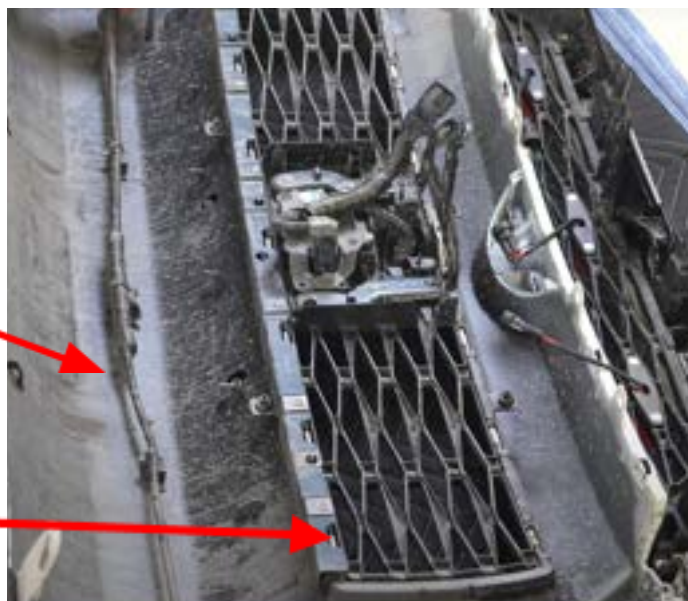
17. If a large winch is going to be installed, the lower grill support will need to be trimmed. Trim where depicted below.



18. Collect the OEM plastic bumper that was fully removed in Step 10.
a. Pull off the wiring harness that is adhered to the back side of the bumper.

Pull off wiring harness and tuck away.

Remove clips holding valence in place.



Bumper Cut Line for 10-13 4Runner:

1. Collect the removed plastic bumper, some painters tape, a tape measure, and a marker
2. Tape over the bumper from corner to corner making a straight horizontal line.

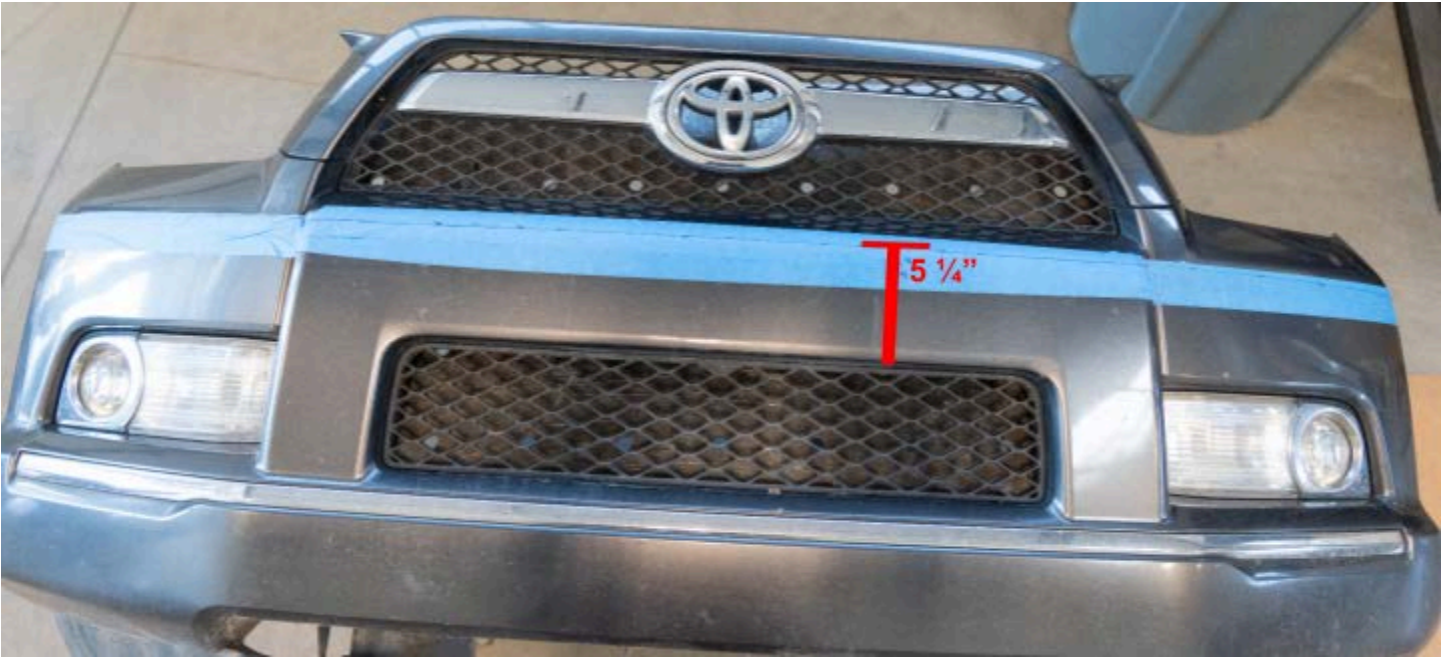


3. The goal is to cut the bumper so that it is in line with the fender of the vehicle.

4. Measure 5.1/4" up from the fog light housing and mark in multiple places.



5. Measure 5 1/4" up from the lower grill and mark in multiple places.



6. Use a flexible straight edge or a straight piece of cardboard to help connect the cut line



7. Use a Dremel or angle grinder to cut the bumper.
 - a. Make sure that there is nothing behind the bumper before cutting.

8. Cut slightly inside the desired line to leave a small margin.
 - a. After cutting, sand the bumper down to the desired cut line for a cleaner edge.
 - b. If desired, install black edge trim over the cut edge of the bumper.

9. After the bumper is cut and cleaned up, remove the two bumper clip mounts on the fenders.



10. Cut off the bottom portion of the clip mount so that it's in line with the fender.



11. Reinstall the clip mount on the vehicle.



12. Reinstall the OEM bumper.



Bumper Cut Line for 14-24 4Runner:

1. Collect the removed plastic bumper, some painters tape, a tape measure, and a marker.
2. From the bottom of the headlight measure down 3 ½" and make a mark.



3. From the upper section of the headlight measure down 5" and make a mark.



4. From the innermost upper section of the headlight measure down 5 1/2" and make a mark.



5. From the inner section of the grille measure down 5" and make a mark.



RCI OFFROAD

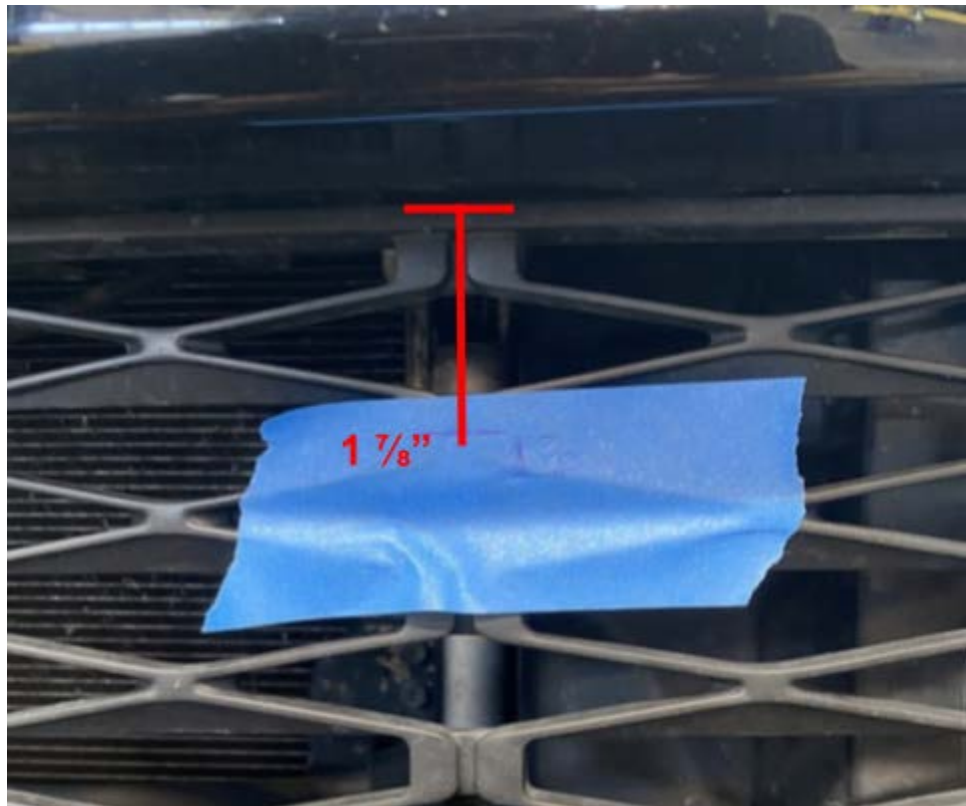
6. After all marks have been made, use a long piece of tape to connect all of the marks. Be sure to start on the fender of the vehicle to help keep the cut line level.



7. Wrap the tape around to connect to the grille. Make sure that the cut line sits 1 ½" below the top surface as depicted below.



8. From the center of the grille, measure down $1 \frac{7}{8}$ " and make a mark. Use another piece of tape to trace a cut line across the grille.





13. Use a Dremel or angle grinder to cut the bumper.
 - a. Make sure that there is nothing behind the bumper before cutting.

14. Cut slightly inside the marked line to leave a small margin.
 - a. After cutting, sand the bumper down to the cut line for a cleaner edge.
 - b. If desired, install black edge trim over the cut edge of the bumper.



15. After the bumper is cut and cleaned up, remove the two bumper clip mounts on the fenders.



16. Cut off the bottom portion of the clip mount so that it's in line with the fender.



17. Reinstall the clip mount on the vehicle.

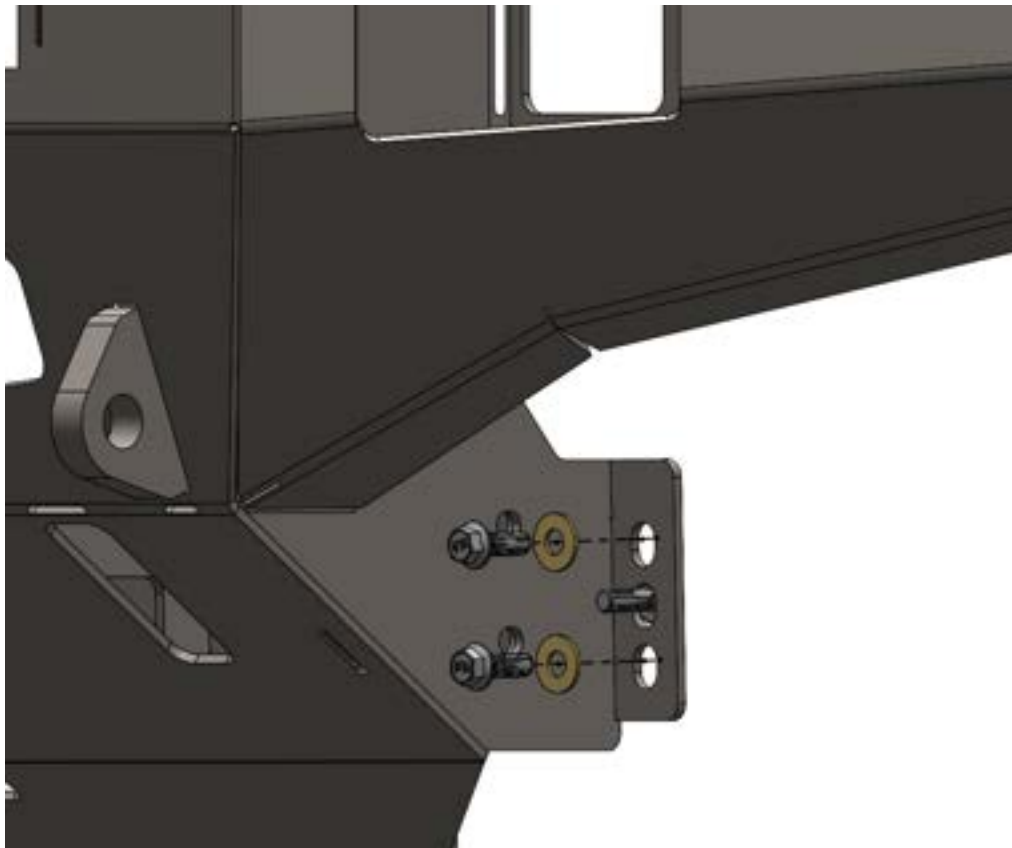


18. Reinstall the OEM bumper.



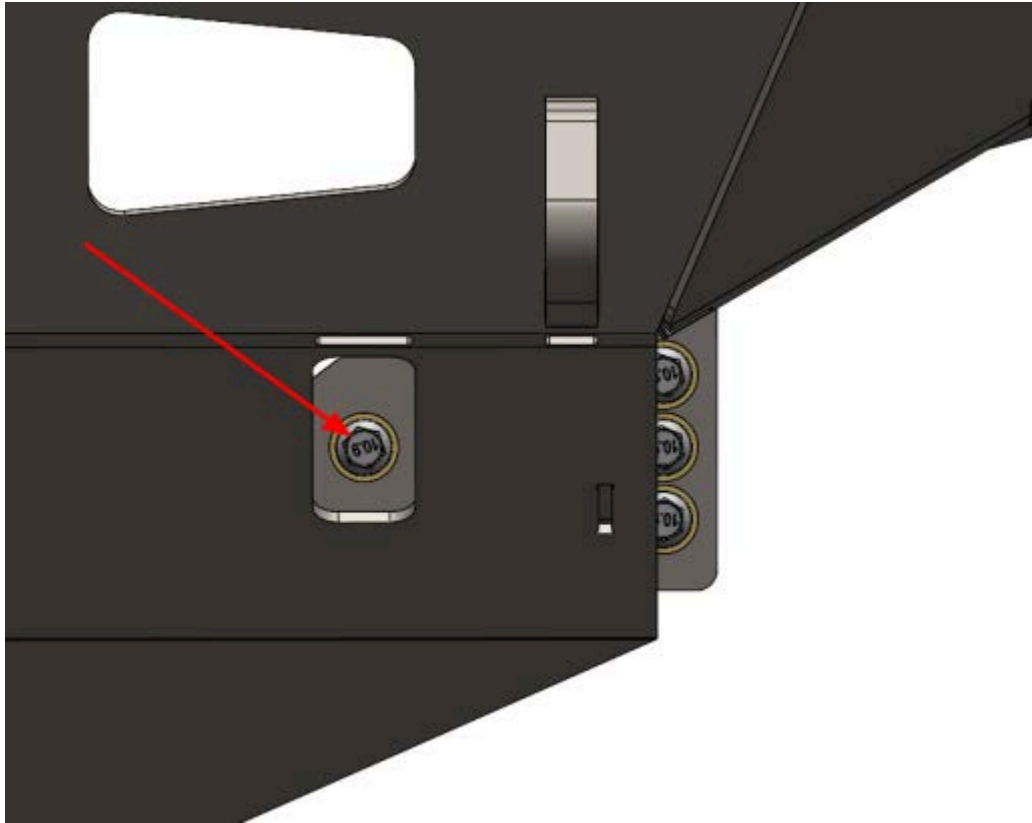
RCI Bumper Installation:

1. **At this time, install any accessories (Light Bar, Winch, Fairlead, etc.) into the bumper before continuing with the installation process.**
2. Collect two (2) M10 bolts and thread one of these per side from the back of the frame to help hang the RCI Bumper.
3. With the help of a friend, lift the bumper into place and rest it on the reversed bolt.
4. Collect two (2) more M10 bolts with $\frac{3}{8}$ " washers per side and begin hand threading them into the appropriate mounting holes.



5. With both sides loosely mounted, remove and reinstall the reverse mounted M10 bolts.

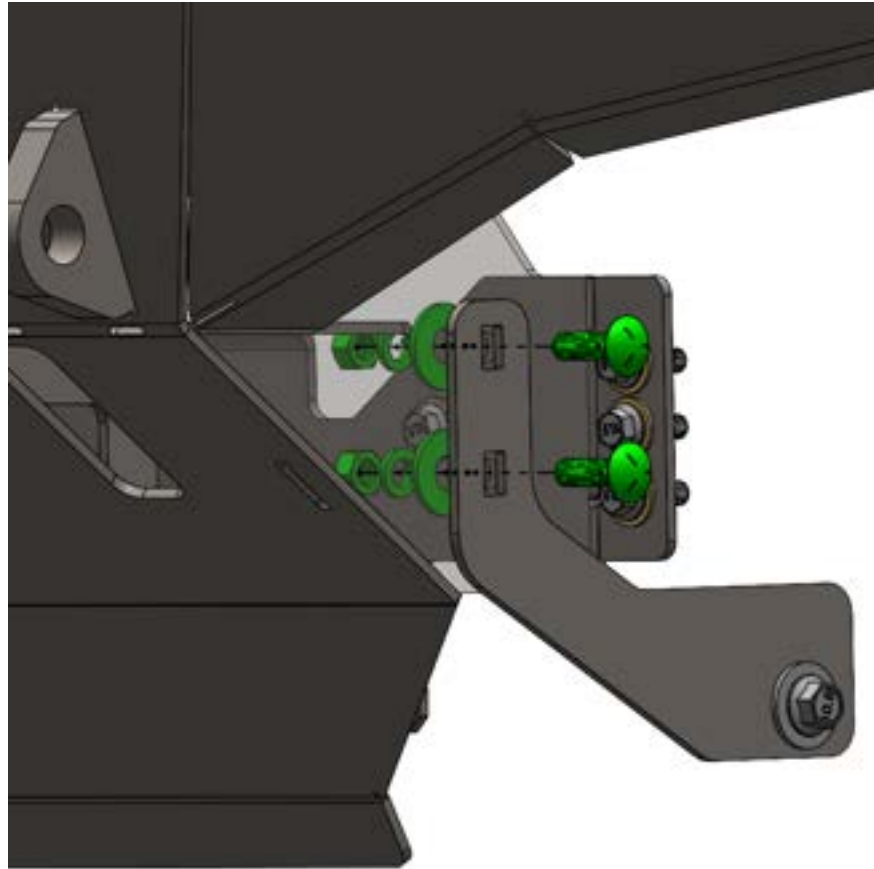
6. Collect the final two (2) M10 bolts with washers and install them on the inner most mounting holes through the access hole on the bumper.



7. Align the bumper so that there is roughly 1/4" gap between the bumper and the fender of the vehicle. Snug the bumper down to keep it aligned correctly.
8. Collect the provided mounting bracket along with one (1) M12 bolt, three (3) 1/2" washers, two (2) 7/16" carriage bolts, two (2) 7/16" split washers, and two (2) 7/16" hex nuts.
9. Partially thread the mounting bracket into the vehicle frame with the M12 bolt and 1/2" washer as depicted below.



10. Rotate the bracket so that it aligns with the slots on the bumper. Mount the bracket using the 7/16" hardware.



11. Tighten all hardware on the bumper once it is aligned properly.

Trimming Fender Liner:

1. After the bumper is fully installed, the excess fender liner will need to be trimmed.
2. Reference images below for examples of trimmed fender liners.





3. Leave enough liner so that it can be zip tied out of the way if needed.
4. Complete the installation by ensuring all mounting hardware is fully tightened. Use zip ties to secure any loose wiring and connections.

RCI OFFROAD

Enjoy your new RCI protection!



Share your new install with us on social media!

We love seeing our products out in the wild!

www.rcimetalworks.com

sales@rcioffroad.com

970-797-3089

REV: 1 | 9/29/2022



Disclaimer: The products sold by RCI Metalworks are intended for off-road use only, should not be modified, and are for use only on the vehicle(s) specifically stated. RCI Metalworks makes no warranties express or implied, including of fitness for a particular purpose or merchantability. RCI Metalworks will not be liable for any damages arising out of the use or misuse of its products. It is the customers' responsibility to ensure the products are safely and properly attached to the vehicle, and all products should be installed by trained professionals. We strive to maintain extremely high-quality standards; however, all RCI Metalworks products are individually handcrafted, may vary slightly, and may contain minor imperfections. Due to the nature of raw aluminum, the material may have minor scratches and other blemishes caused by the manufacturing process, especially on the back side of product. RCI Metalworks is constantly seeking to improve its products and reserves the right to make changes to any product.