

TIME FOR INSTALLATION

2-4 HOURS



MODERATE



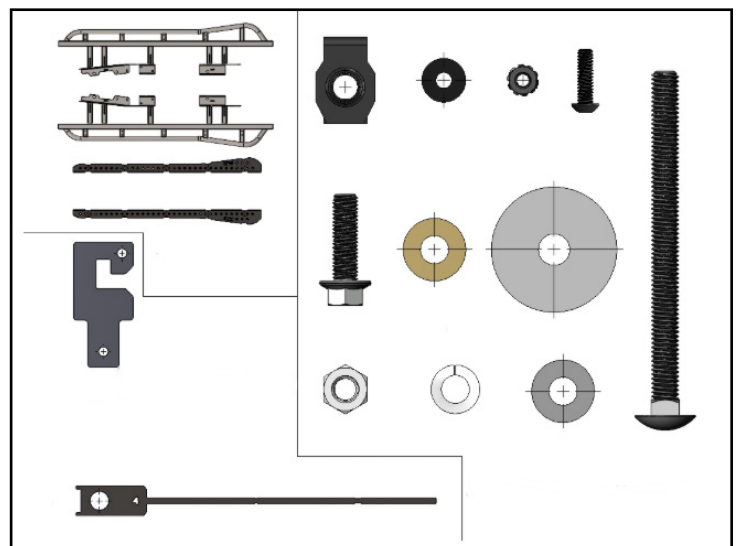
SOME EXPERIENCE
RECOMMENDED

24+ Ford Ranger Raptor Rock Slider Installation Guide

Contact RCI: SALES@RCIOFFROAD.COM
(970) 797-3089

Part Number	Description	Qty:
SM-01122	24+ Ranger Raptor Slider LH	1
SM-01123	24+ Ranger Raptor Slider RH	1
SM-00979	Tread Plate LH	1
SM-00980	Tread Plate RH	1
HK-00035	Kit: Tread Plate HW	11
HW-00017	1/4-20 x 7/8 Button Soc Cap Blk	20
HW-00031	1/4-20 Keps Nut 18-8 S.S. Blk	20
HW-00019	1/4 USS Flat Washer Thru Hard Blk	40
HK-00109	Kit: 24+ Ranger Slider HW	1
HW-00026	3/8 USS Flat Washer Thru Hard	16
HW-00021	M10-1.5 x 35mm Hex Flange Bolt	14
HW-00088	M10 x 40mm Hex Flange Bolt	2
HW-00023	M10-1.5 U-Nut .90	12
HW-00044	7/16 USS Flat Washer Zinc	4
HW-00045	7/16 Split Lock Washer Zinc	4
HW-00047	7/16-14 FIN Hex Nut GR-5 Zinc	4
HW-00049	7/16-14 x 5 1/2 Carriage Bolt	4
HW-00028	Full-Moon Spacer	4
HW-00022	1/2 USS Flat Washer Thru Hard	1
HW-00057	M12-1.75 x 40mm Hex Flange Bolt	1
SM-01003	7/16 Carriage Bolt Plate	2
HW-00104	Mounting Plate #2 (MP2)	4
SM-01006	Mounting Plate #4 (MP4)	13
HW-00169	M6-1.0 x 35mm Hex Flange Bolt	4
HW-00019	1/4 USS Flat Washer Thru Hard	4

*For tread plate installations only



Caution: Use hand tools, impact wrenches may cause damage if over torqued.

Read the entire notes and instructions before installation.

Installation Notes

Installation Notes:

RH refers to the passenger side of the vehicle.

LH refers to the driver side of the vehicle.

Always use the proper torque specifications.

If applicable to this installation, torque specifications will be listed throughout the document.

Please read all of these instructions and familiarize yourself with the complete process **BEFORE** you begin.

General Safety:

Park your car in a safe, well lit, level area.

Shut the engine off and remove the key from the ignition switch.

Make sure any remote start devices are properly disabled.

ALWAYS wear safety glasses.

Make sure the parking brake is applied until the vehicle is safely lifted and supported.

Whether lifting a vehicle using an automotive lift or a hydraulic jack, utilize the factory specified lift points.

Lifting a vehicle in an incorrect location can cause damage to the suspension/running gear.

ALWAYS support the vehicle with properly rated jack stands.

ALWAYS read and follow all safety information and warnings for the equipment you are using.

Required Tools:

1/4", 3/8" & 1/2" Socket Sets & Ratchets

Floor Jack

Jack Stands

Combination Wrench Set

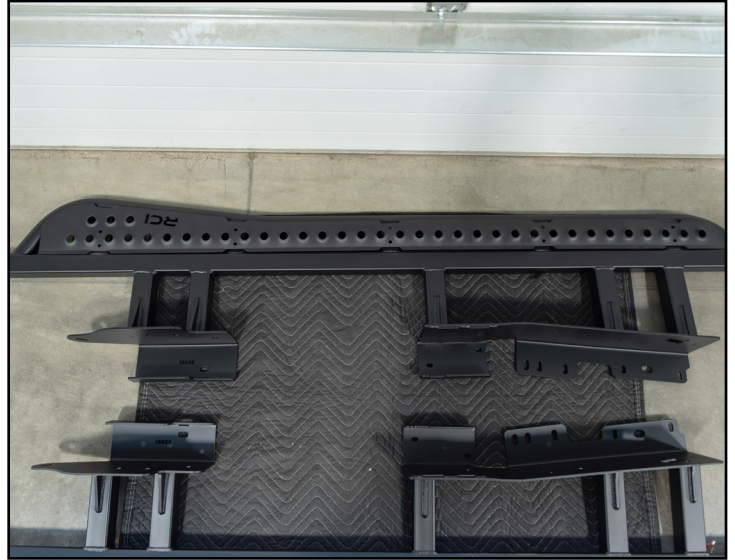
Plier Set

Torque Wrenches

Section 1: Removing the Stock Components

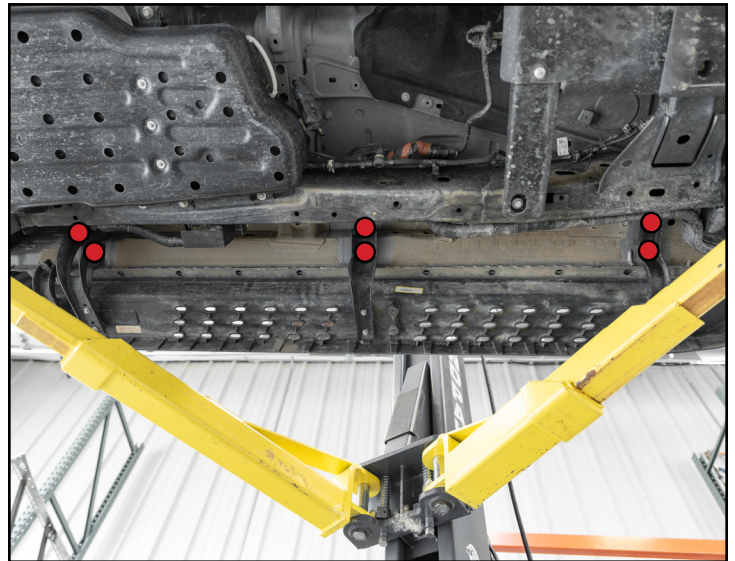
Step #1

Remove all the components and hardware from their packaging. Ensure that all of the components and hardware are present.



Step #2 | 13mm Socket & Ratchet

Remove the bolts (**RED** circles) that secure the OEM side steps to the underside of the cab, then remove the steps from the vehicle.



Section 1: Removing the Stock Components

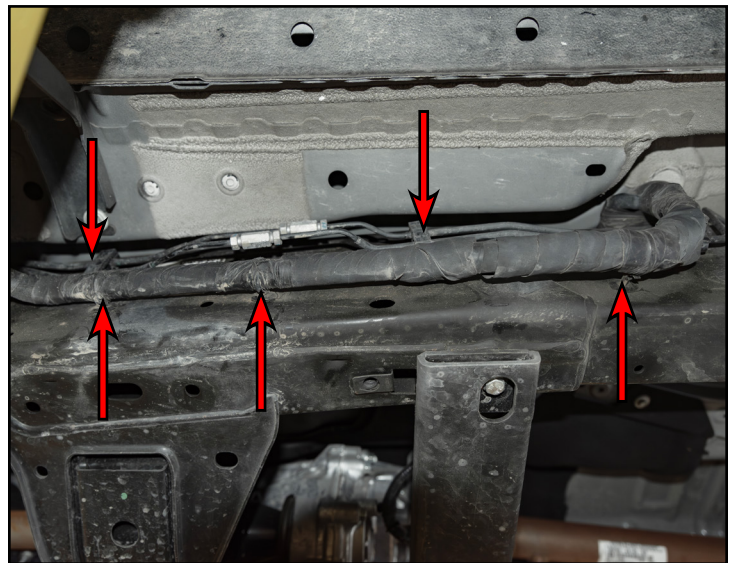
Step #3 | 13mm Socket & Ratchet

Remove the bolts (circled in **RED**) that secure the transfer case skid plate, then remove the skid plate and set it aside.



Step #4 | Trim Removal Tool

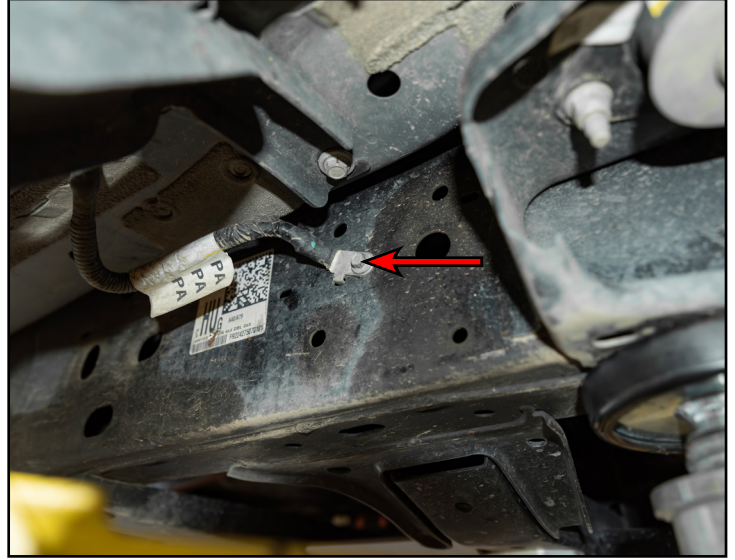
Release the clips (arrows) that secure the wiring harness and brake lines to the LH frame rail.



Section 1: Removing the Stock Components

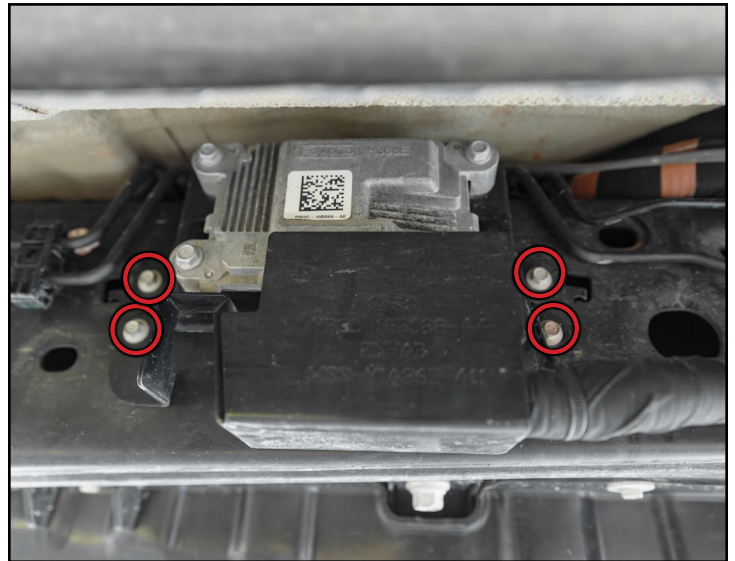
Step #5 | 10mm Socket & Ratchet

Remove the bolt (arrow) that secures the ground wire to the RH frame rail.



Step #6 | 10mm Socket & Ratchet

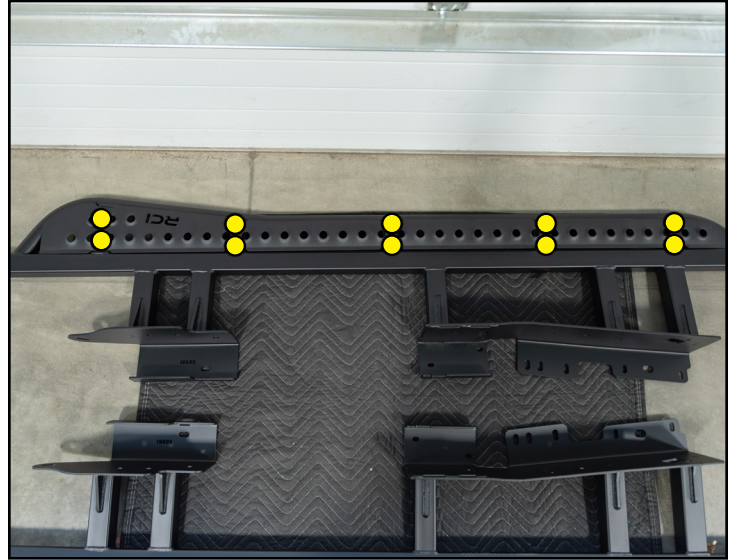
Remove the bolts (circled in **RED**) that secure the fuel control module to the RH frame rail, then move the module to create enough room for the new RCI RH slider to install into place.



Section 2: Installing the New Rock Sliders

Step #1 | 4mm Hex (Allen), 7/16 Socket & Ratchet

For tread plate installations only: Install the tread plates onto the rock sliders and secure them with the provided 1/4" hardware (**YELLOW** circles).



Step #2 | Floor Jack & Jack Stands

Lift the new RH rock slider up to the RH frame rail and support the slider from underneath.

Tech tip: Having a friend to assist, along with using a floor jack and jack stands will make this installation easier.

CAUTION: Be careful when installing the slider not to pinch or damage any frame mounted wiring, lines or hoses.

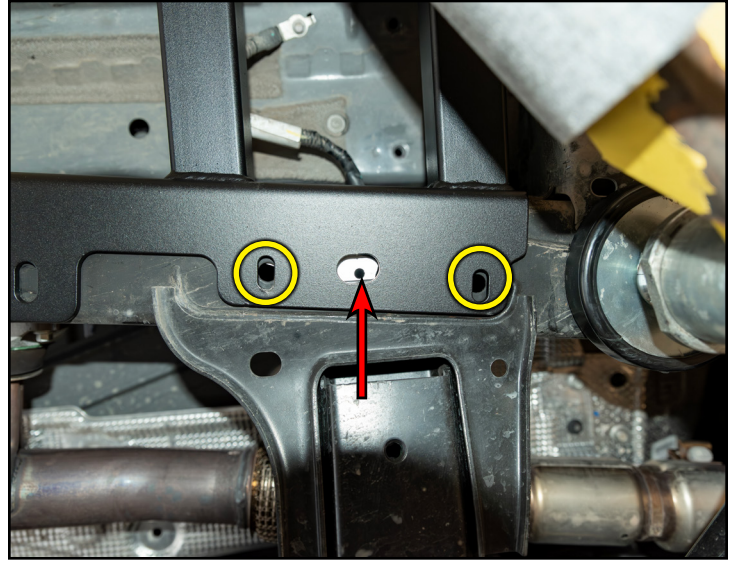


Section 2: Installing the New Rock Sliders

Step #3

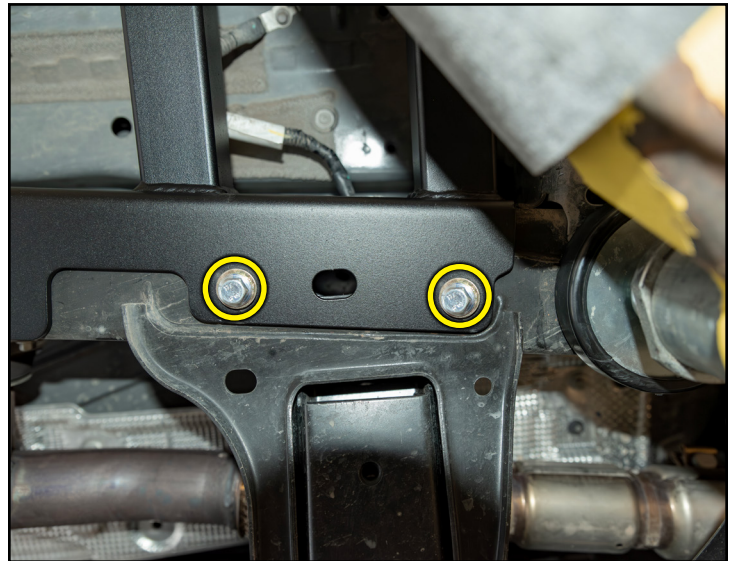
Align the RH frontmost bottom mounting locations (circled in **YELLOW**) of the RH slider frame plate with the existing holes in the RH frame rail.

Insert the provided MP2 brackets (as shown in inset photo) into the oval shaped hole (arrow) then align the threaded holes with the mounting locations (circled in **YELLOW**) in the slider frame plate.



Step #4 15mm Socket & Ratchet

Install the provided M10 hardware (circled in **YELLOW**) into the threaded holes of the MP2 brackets previously installed.



Section 2: Installing the New Rock Sliders

Step #5 | 16mm Socket & Ratchet

Loosely thread the provided M12 hardware (arrow) into the threaded hole as shown.

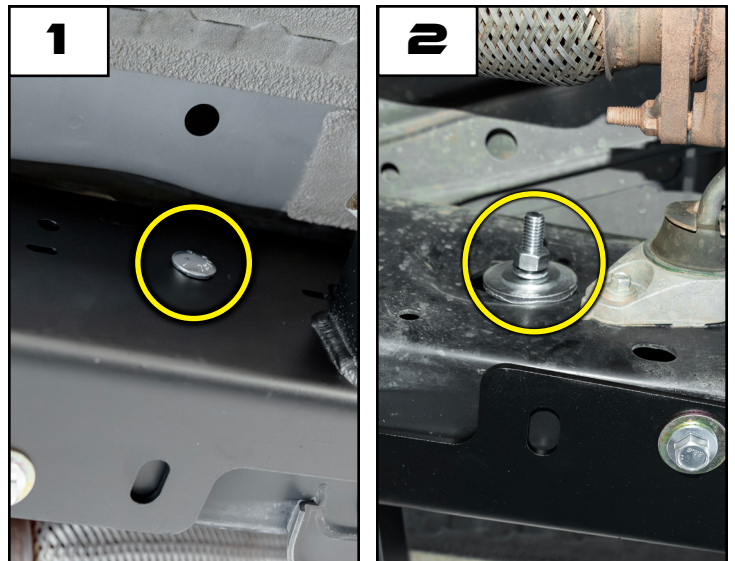
Note: the mounting location mentioned is utilized for the stock transfer case & RCI transfer case skid plate installation, reinstall the skid plate after both sliders have been fully installed. Refer to the transfer case installation guide for further skid plate installation information.



Step #6 | 11/16 Socket & Ratchet

Install the provided 7/16" (circled in **YELLOW** in **photo #1**) carriage bolt into the frontmost carriage bolt through the outside surface of the slider frame plate and frame rail.

Secure the carriage bolt with the provided full-moon washer, flat washer, split-lock washer and hex nut (circled in **YELLOW** in **photo #2**), then torque the hardware to 20 ft-lbs.

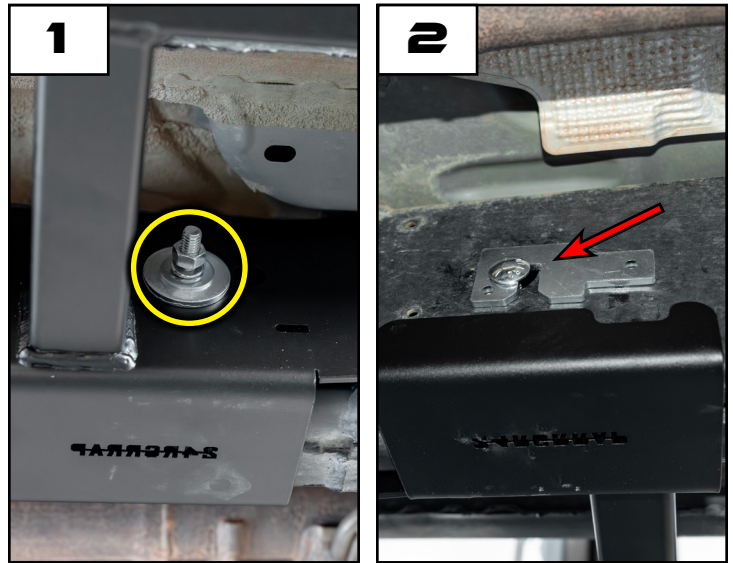


Section 1: Remove Stock

Step #7 | 11/16 Socket & Ratchet

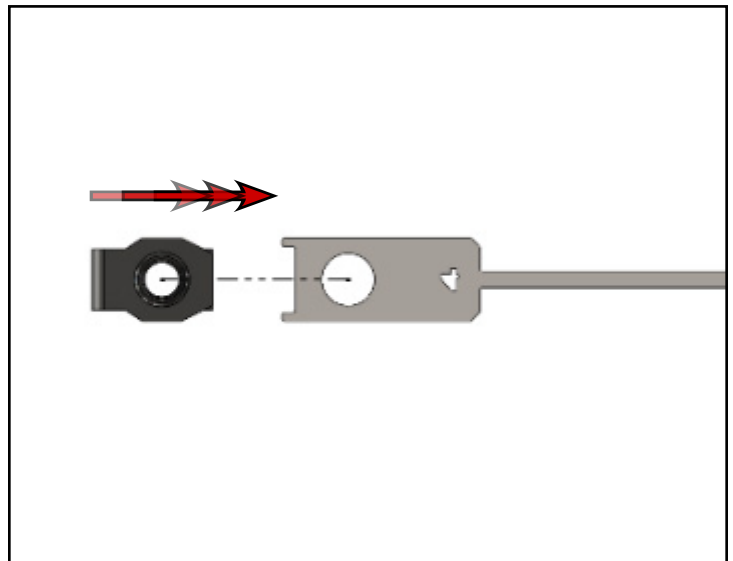
Assemble a full-moon washer, flat washer, split-lock washer and hex nut onto the 7/16 carriage bolt, then install the assembled 7/16 carriage bolt (circled in **YELLOW** in **photo #1**) through the rearmost carriage bolt mounting location in the slider frame plate and frame.

Hook a carriage bolt plate onto the 7/16 carriage bolt (arrow in **photo #2**) and torque the hardware to 20 ft-lbs.



Step #8

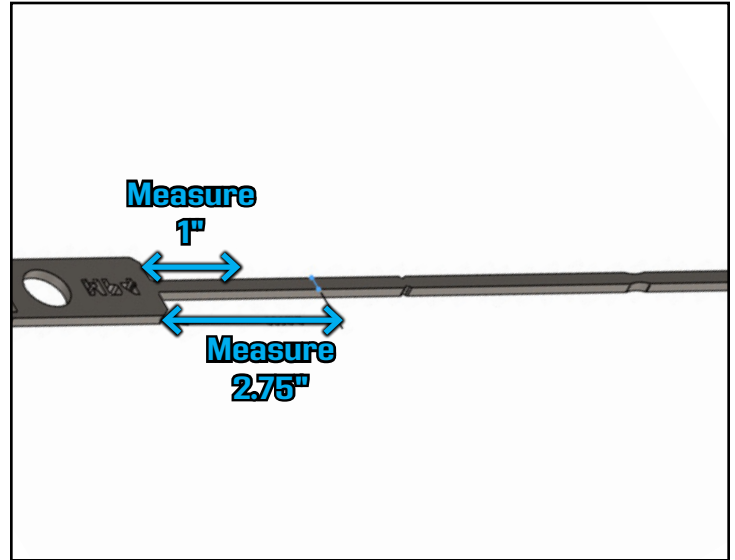
Prepare the MP4 brackets by installing the provided M10 speed clips onto them.



Section 2: Installing the New Rock Sliders

Step #9 | Tape Measure & Marker

Prepare the rearmost side facing MP4 bracket by measuring 1" from the base of the MP4 mounting surface and making a mark. Make a second measurement from the base of the MP4 at 2.75" from the base and make a second mark.



Step #10 | Locking Pliers -OR- Bench Mounted Vice

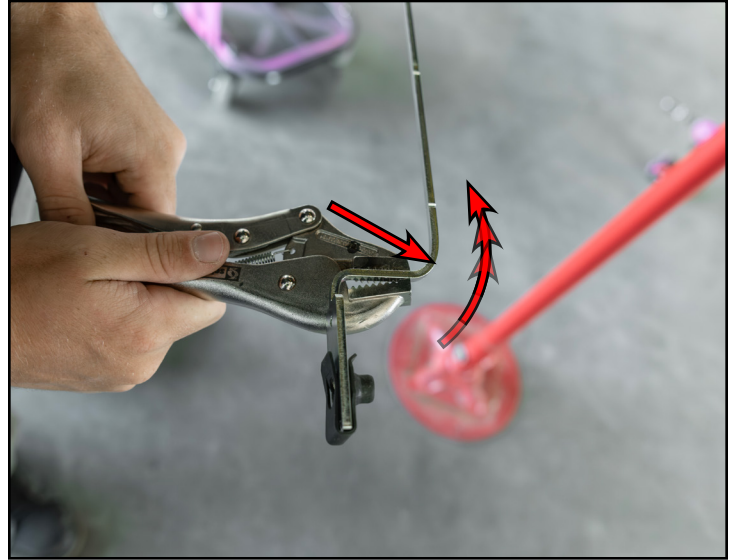
Bend the rearmost side facing MP4 90° upward at the first mark (arrow) previously made.



Section 2: Installing the New Rock Sliders

Step #11 | Locking Pliers -OR- Bench Mounted Vice

Bend the rearmost side facing MP4 bracket 90° at the second mark (arrow) as shown.



Step #12 | 15mm Socket & Ratchet

At the rear of the frame, install the prepared MP4 assembly through the oval shaped hole (arrow) in the frame rail and align the threaded speed clip with the rearmost mounting location on the vertical surface of the rear frame plate.

Once aligned, secure the MP4 with the provided M10 hardware (circled in **YELLOW**).

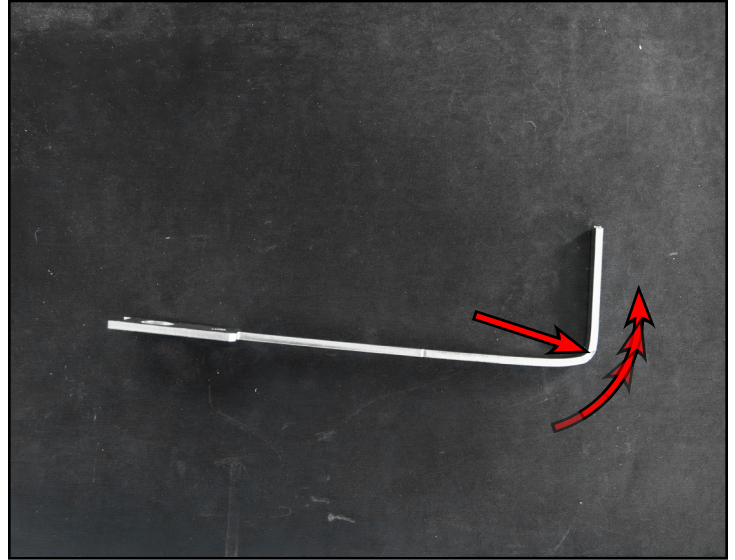
Remove any excess MP4 bracket that extends below the frame rail.



Section 2: Installing the New Rock Sliders

Step #13 Locking Pliers -OR- Bench Mounted Vice

Prepare the frontmost MP4 bracket by bending the bracket at the notch (arrow) furthest from the mounting plate surface 90° as shown.



Step #14 15mm Socket & Ratchet

Install the prepared MP4 assembly through the oval shaped hole (arrow) in the frame rail and align the threaded speed clip with the frontmost mounting location on the vertical surface of the rear frame plate.

Once aligned, secure the MP4 with the provided M10 hardware (circled in **YELLOW**).

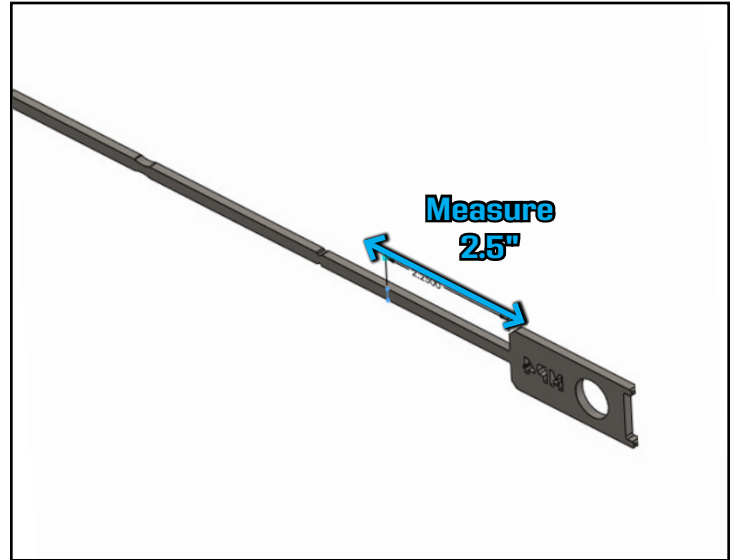
Remove any excess MP4 bracket that extends outside of the frame rail.



Section 2: Installing the New Rock Sliders

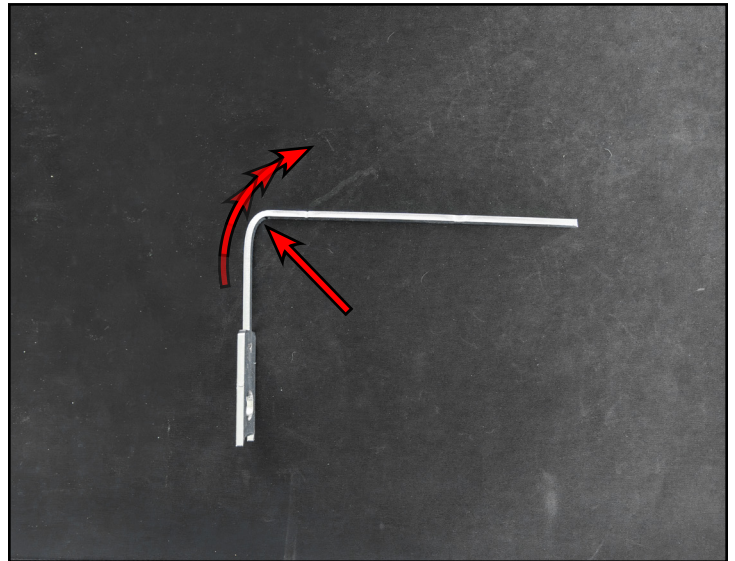
Step #15 | Tape Measure & Marker

Prepare the center side facing MP4 bracket by measuring 2.5" from the base of the mounting plate surface and making a mark.



Step #16 | Locking Pliers -OR- Bench Mounted Vice

Bend the center side facing MP4 bracket 90° upward (arrow) at the mark previously made.



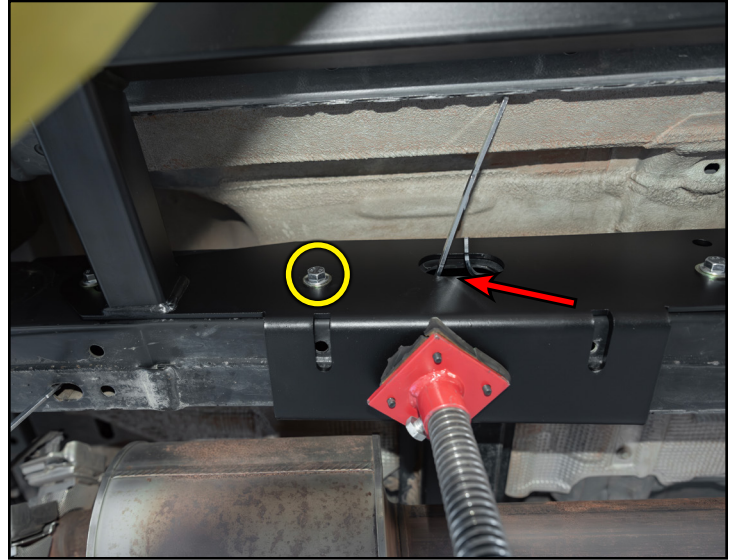
Section 2: Installing the New Rock Sliders

Step #17 | 15mm Socket & Ratchet

Install the prepared MP4 assembly through the oval shaped hole (arrow) in the frame rail and align the threaded speed clip with the frontmost mounting location on the vertical surface of the rear frame plate.

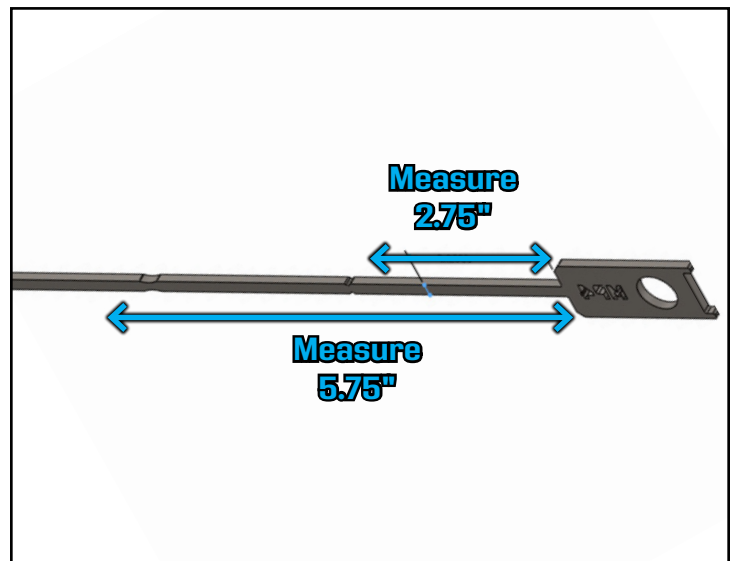
Once aligned, secure the MP4 with the provided M10 hardware (circled in **YELLOW**).

Remove any excess MP4 bracket that extends outside of the frame rail.



Step #18 | Tape Measure & Marker

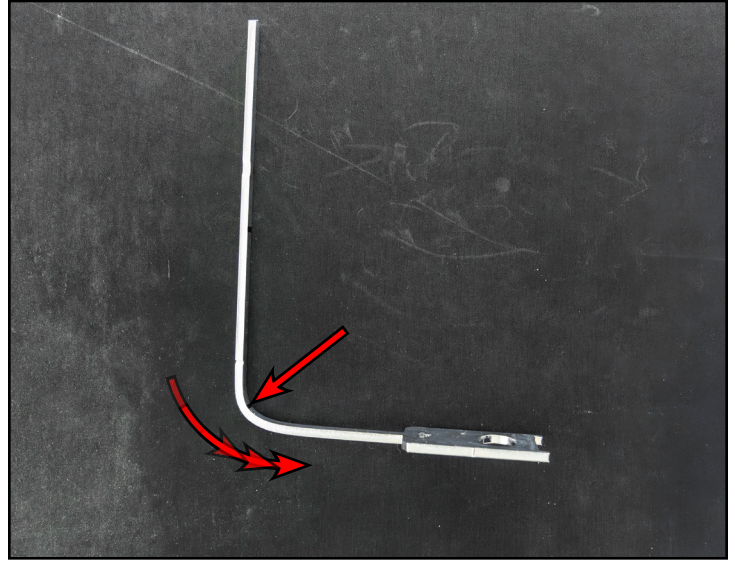
Prepare the rearmost bottom MP4 by measuring 2.75" from the base of the mounting plate, then make a mark. Measure 5.75" from the base of the mounting, then make a second mark on the MP4 bracket.



Section 2: Installing the New Rock Sliders

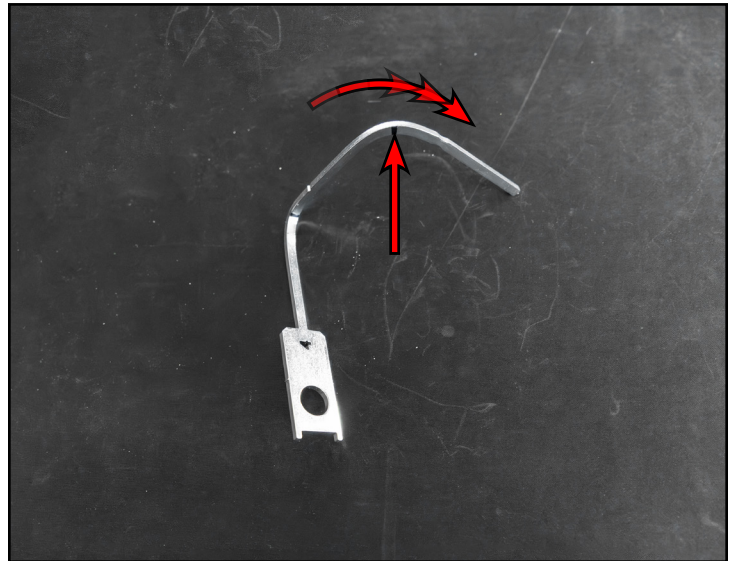
Step #19 Locking Pliers -OR- Bench Mounted Vice

Bend the rearmost bottom MP4 bracket at the first mark previously made 90° upward.



Step #20 Locking Pliers -OR- Bench Mounted Vice

Bend the rearmost bottom MP4 bracket at the second mark previously made 90° to the right.



NOTE: For the LH slider installation mirror this step.

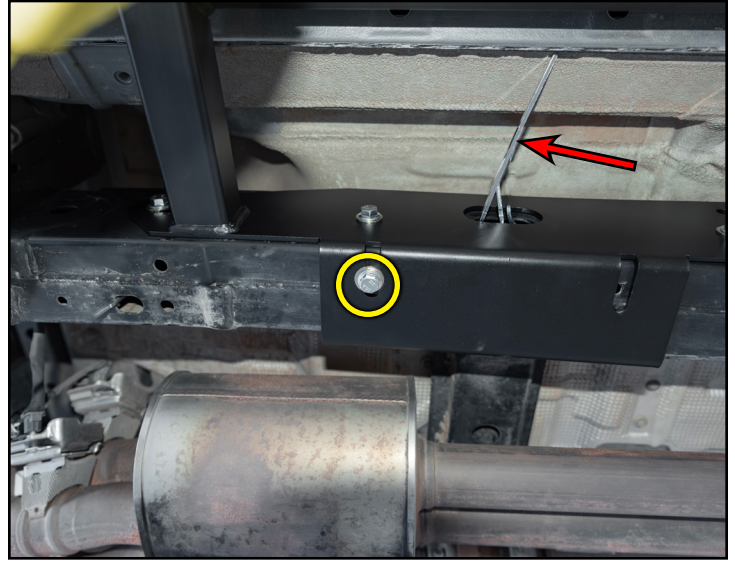
Section 2: Installing the New Rock Sliders

Step #21 | 15mm Socket & Ratchet

Install the prepared MP4 assembly through the oval shaped hole (arrow) in the frame rail and align the threaded speed clip with the rearmost mounting location on the bottom of the rear frame plate.

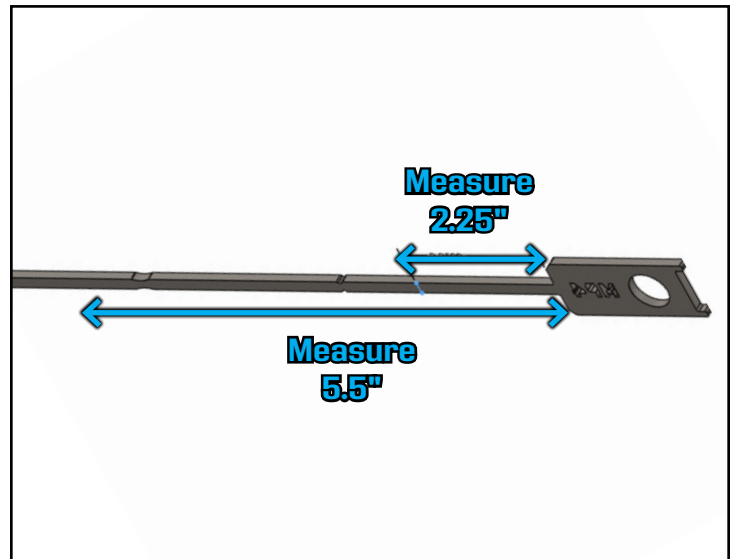
Once aligned, secure the MP4 with the provided M10 hardware (circled in **YELLOW**).

Remove any excess MP4 bracket that extends outside of the frame rail.



Step #22 | Tape Measure & Marker

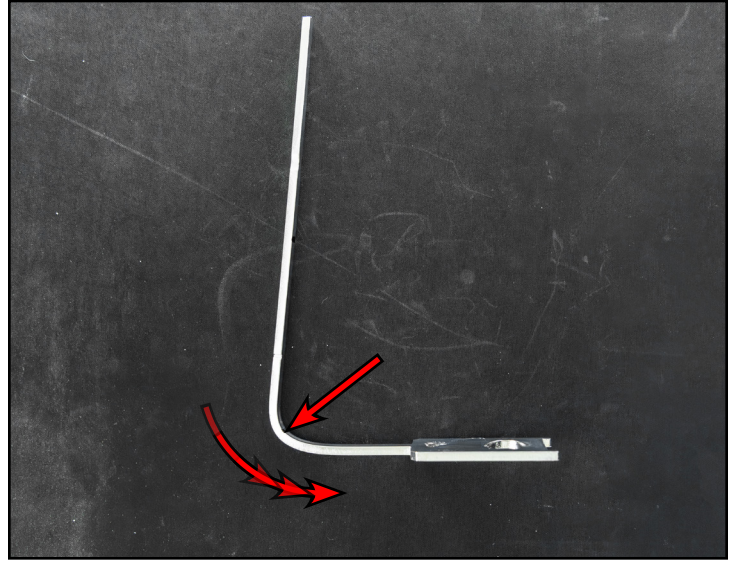
Prepare the frontmost bottom MP4 by measuring 2.25" from the base of the mounting plate, then make a mark. Measure 5.50" from the base of the mounting, then make a second mark on the MP4 bracket.



Section 2: Installing the New Rock Sliders

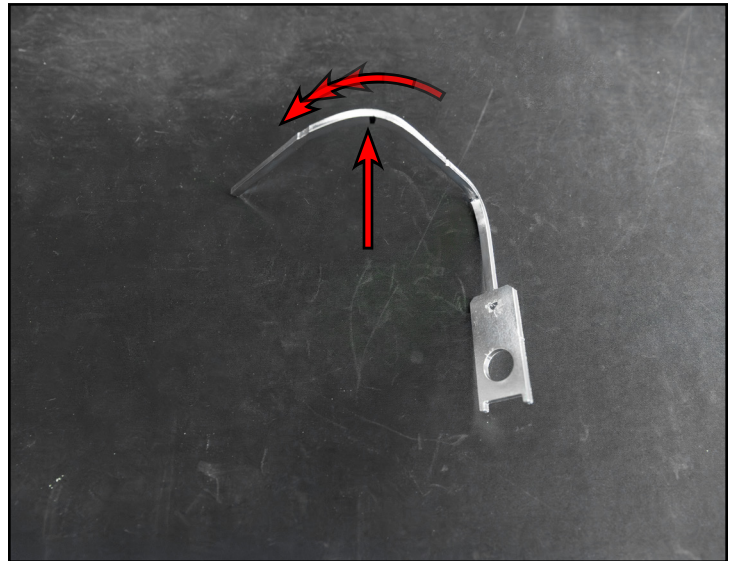
Step #23 Locking Pliers -OR- Bench Mounted Vice

Bend the frontmost bottom MP4 bracket at the first mark previously made 90° upward.



Step #24 Locking Pliers -OR- Bench Mounted Vice

Bend the frontmost bottom MP4 bracket at the second mark previously made 90° to the left.



NOTE: For the LH slider installation mirror this step.

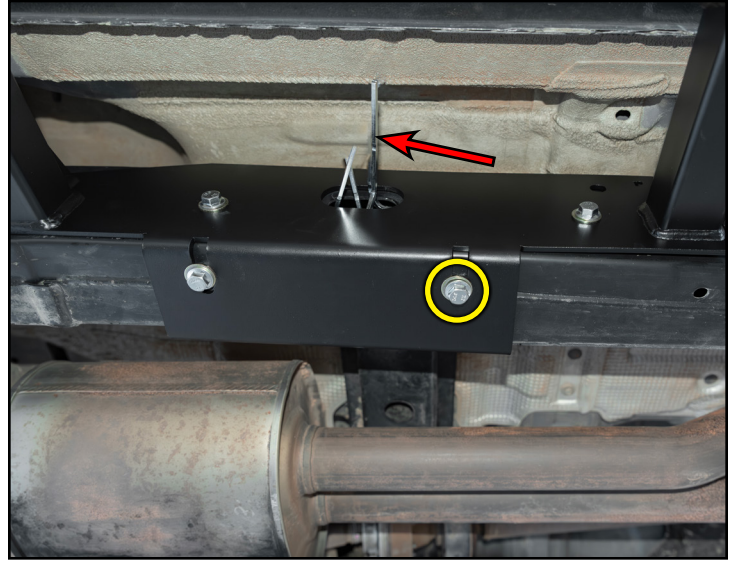
Section 2: Installing the New Rock Sliders

Step #25 | 15mm Socket & Ratchet

Install the prepared MP4 assembly through the oval shaped hole (arrow) in the frame rail and align the threaded speed clip with the rearmost mounting location on the bottom of the rear frame plate.

Once aligned, secure the MP4 with the provided M10 hardware (circled in **YELLOW**).

Remove any excess MP4 bracket that extends outside of the frame rail.

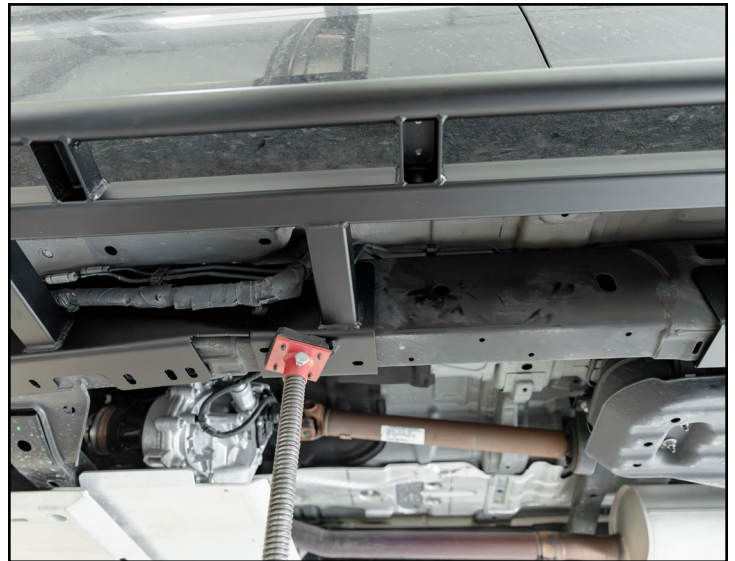


Step #26 | Floor Jack & Jack Stands

Lift the LH slider from underneath up to the frame on the LH side of the vehicle.

Tech tip: Having a friend to assist, along with using a floor jack and jack stands will make this installation easier.

CAUTION: Be careful when installing the slider not to pinch or damage any frame mounted wiring, lines or hoses.

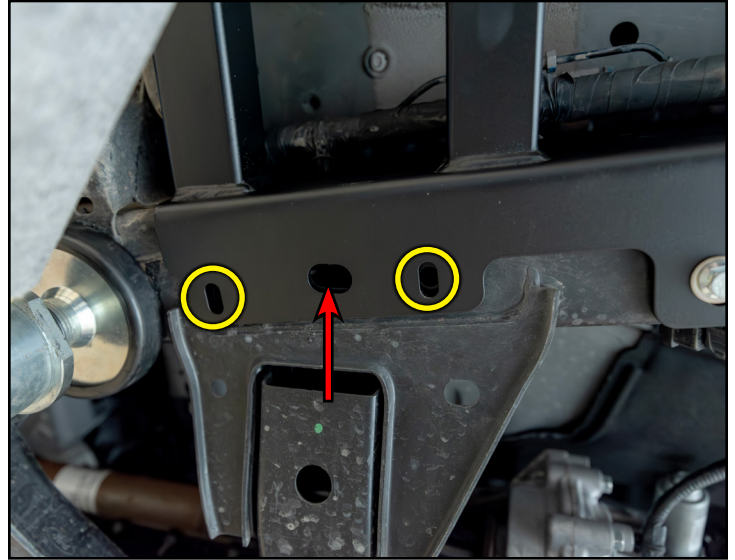


Section 2: Installing the New Rock Sliders

Step #27

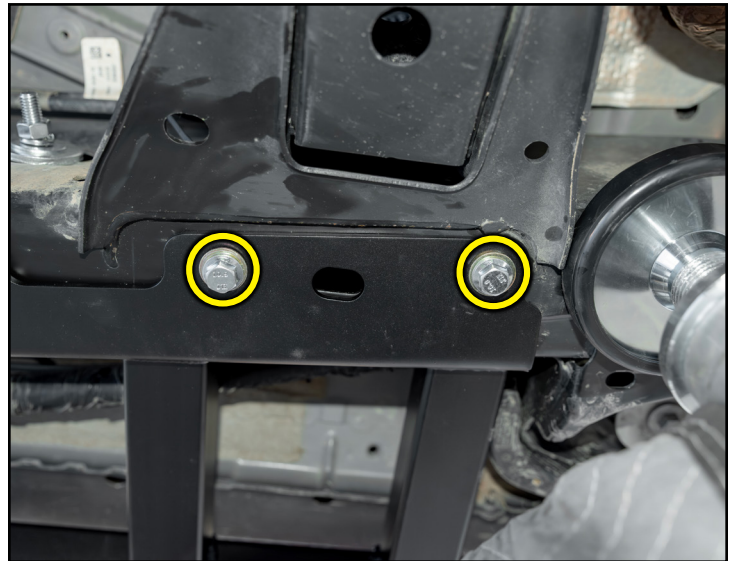
Align the RH frontmost bottom mounting locations (circled in **YELLOW**) of the LH slider frame plate with the existing holes in the LH frame rail.

Insert the provided MP2 brackets (as shown in inset photo) into the oval shaped hole (arrow) then align the threaded holes with the mounting locations (circled in **YELLOW**) in the slider frame plate.



Step #28 15mm Socket & Ratchet

Install the provided M10 hardware (circled in **YELLOW**) into the threaded holes of the MP2 brackets previously installed.

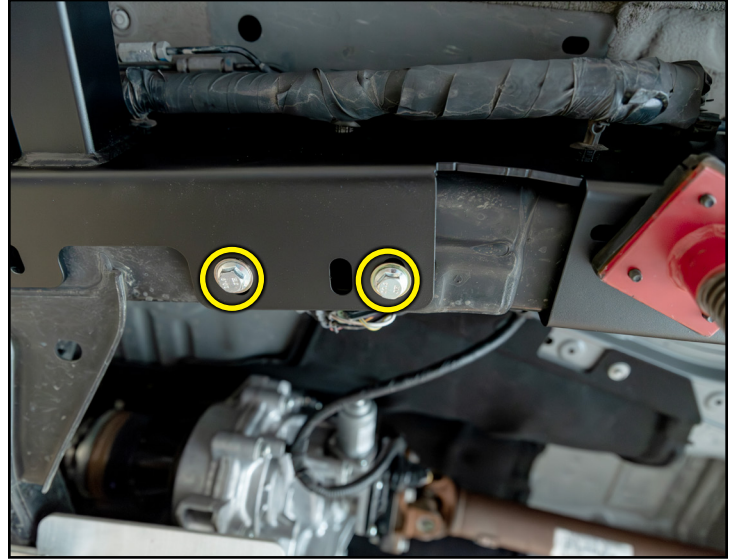


Section 2: Installing the New Rock Sliders

Step #29 | 15mm Socket & Ratchet

Install the provided M10 hardware (circled in **YELLOW**) into the threaded holes of the MP2 brackets previously installed.

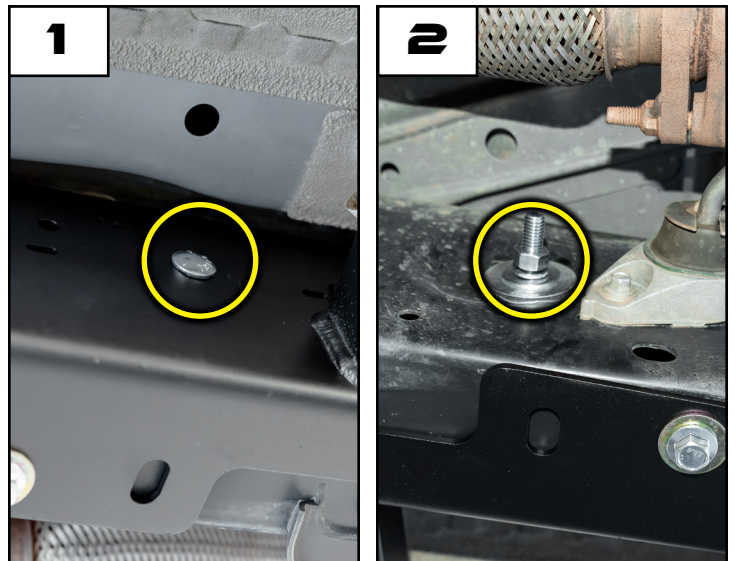
Note: the mounting locations mentioned are utilized for the stock transfer case & RCI transfer case skid plate installation, reinstall the skid plate after both sliders have been fully installed. Refer to the transfer case installation guide for further skid plate installation information.



Step #30 | 11/16 Socket & Torque Wrench

Install the provided 7/16" (circled in **YELLOW** in **photo #1**) carriage bolt into the frontmost carriage bolt through the outside surface of the slider frame plate and frame rail.

Secure the carriage bolt with the provided full-moon washer, flat washer, split-lock washer and hex nut (circled in **YELLOW** in **photo #2**), then torque the hardware to 20 ft-lbs.



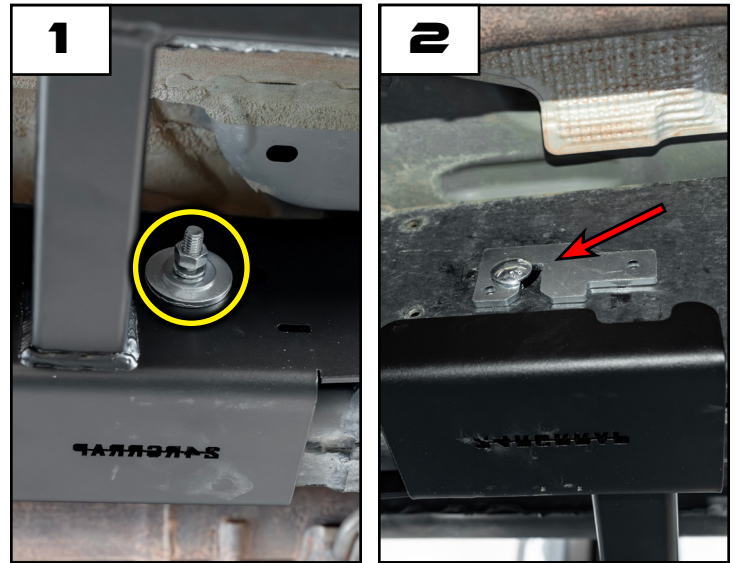
Section 2: Installing the New Rock Sliders

Step #31 | 11/16 Socket & Torque Wrench

Assemble a full-moon washer, flat washer, split-lock washer and hex nut onto the 7/16 carriage bolt, then install the assembled 7/16 carriage bolt (circled in **YELLOW** in **photo #1**) through the rearmost carriage bolt mounting location in the slider frame plate and frame.

Hook a carriage bolt plate onto the 7/16 carriage bolt (arrow in **photo #2**) and torque the hardware to 20 ft-lbs.

Repeat **steps 8-19** for the LH slider installation.



Step #32 | 10mm Socket & Ratchet

Reinstall the fuel control module and secure it in place with the provided M6 hardware (circled in **YELLOW**).

Reinstall the OEM transfer case skid plate –OR– RCI skid plate if equipped.

Re-attach ground cable end.

Secure clips into slider frame plate.



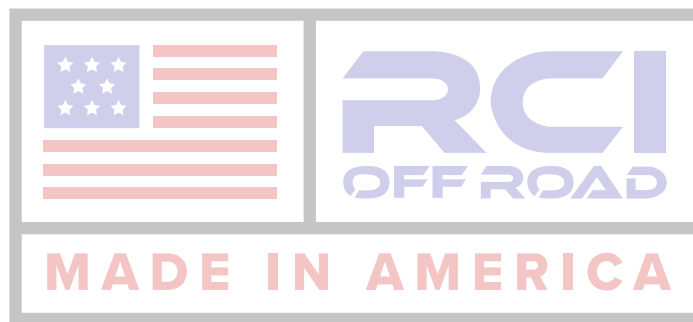
*One bolt is hidden behind the wiring harness.

CONGRATULATIONS, YOUR INSTALLATION IS COMPLETE!

ENJOY YOUR NEW RCI PROTECTION!



**Share your new install with us on social media!
We love seeing our products in the wild!**



Follow us on social media:
[instagram.com/rcioffroad/#](https://www.instagram.com/rcioffroad/)
[facebook.com/RCIOffroad](https://www.facebook.com/RCIOffroad)
[youtube.com/@RCIOFFROAD](https://www.youtube.com/@RCIOFFROAD)

Contact:
1.970.797.3089
SALES@RCIOFFROAD.COM
6701 N. FRANKLIN AVE. LOVELAND, CO 80538

These instructions are provided as a courtesy by RCI Offroad

Disclaimer: The products sold by RCI Metalworks are intended for off-road use only, should not be modified, and are for use only on the vehicle(s) specifically stated. RCI Metalworks makes no warranties express or implied, including of fitness for a particular purpose or merchantability. RCI Metalworks will not be liable for any damages arising out of the use or misuse of its products. It is the customers' responsibility to ensure the products are safely and properly attached to the vehicle, and all products should be installed by trained professionals. We strive to maintain extremely high-quality standards; however, all RCI Metalworks products are individually handcrafted, may vary slightly, and may contain minor imperfections. Due to the nature of raw aluminum, the material may have minor scratches and other blemishes caused by the manufacturing process, especially on the back side of product. RCI Metalworks is constantly seeking to improve its products and reserves the right to make changes to any product.