

TIME FOR INSTALLATION

15-30 MINUTES

# RCI OFFROAD

EASY

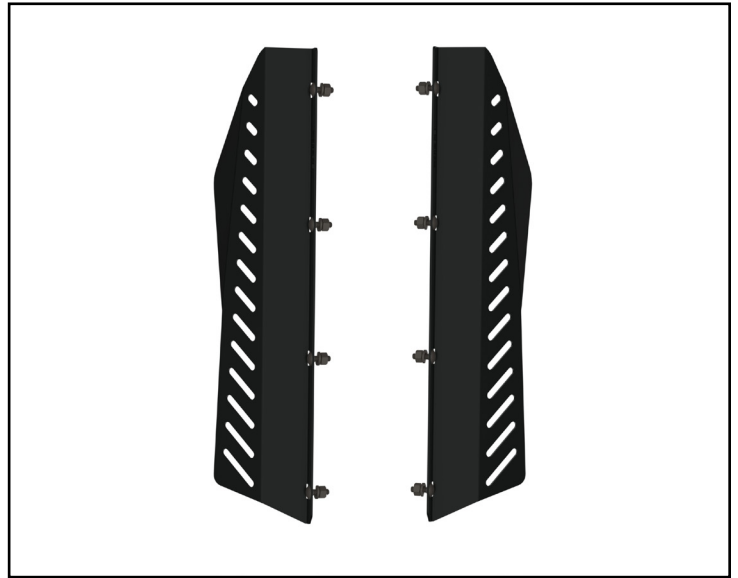
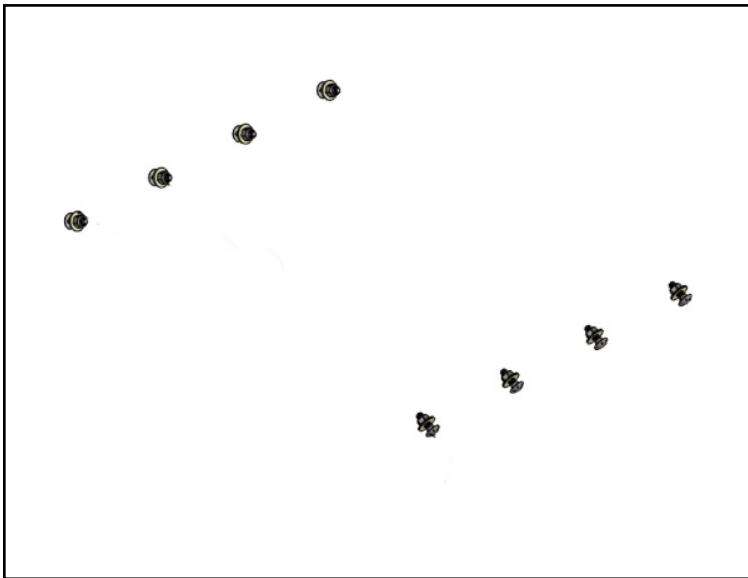


BASIC SKILLS  
REQUIRED

## 23+ Chevrolet Colorado - GMC Canyon Catalytic Guard Installation Guide

Contact RCI: [SALES@RCIOFFROAD.COM](mailto:SALES@RCIOFFROAD.COM)  
(970) 797-3089

Part Number	Description	Qty:
SM-00xxx	Colorado Catalytic Guard Driver	1
SM-00xxx	Colorado Catalytic Guard Passenger	1
HK-00048	Cat Guard Hardware Kit	1
HW-00037	5/16 USS Flat Washer Zinc	8
HW-00062	5/16-18 Nylon Insert Lock Nut	8
HW-00061	5/16-18 X 1 Carriage Bolt GR-5	8



The installation of any RCI Catalytic Guards **REQUIRES** the installation of an RCI Transmission Skid Plate to complete this installation.

**Caution:** Use hand tools, impact wrenches may cause damage if over torqued.

**Read the entire notes and instructions before installation.**

# Installation Notes

## Installation Notes:

**RH** refers to the passenger side of the vehicle.

**LH** refers to the driver side of the vehicle.

Always use the proper torque specifications.

If applicable to this installation, torque specifications will be listed throughout the document.

Please read all of these instructions and familiarize yourself with the complete process **BEFORE** you begin.

## General Safety:

Park your car in a safe, well lit, level area.

Shut the engine off and remove the key from the ignition switch.

Make sure any remote start devices are properly disabled.

**ALWAYS** wear safety glasses.

Make sure the parking brake is applied until the vehicle is safely lifted and supported.

Whether lifting a vehicle using an automotive lift or a hydraulic jack, utilize the factory specified lift points.

Lifting a vehicle in an incorrect location can cause damage to the suspension/running gear.

**ALWAYS** support the vehicle with properly rated jack stands.

**ALWAYS** read and follow all safety information and warnings for the equipment you are using.

## Required Tools:

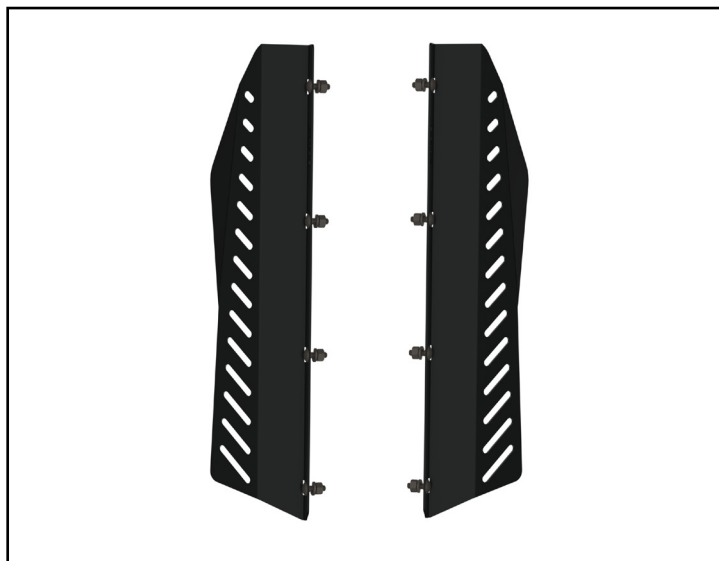
3/8" -OR- 1/2" Drive Sockets & Ratchets

Combination Wrench Set

# Section 1: Installing the New Catalytic Guards

## Step #1

Unpack and remove all components and hardware from their packaging, and verify that all the components are present.



## Step #2

***If you have an RCI transmission skid plate installed previously:*** Remove the transmission skid plate from the vehicle.

Place the transmission skid plate and new catalytic guards on a soft level surface for assembly.

**Note:** The Catalytic guards are designed to be theft deterrent and prohibits mounting or removal while the transmission skid plate is fully installed.

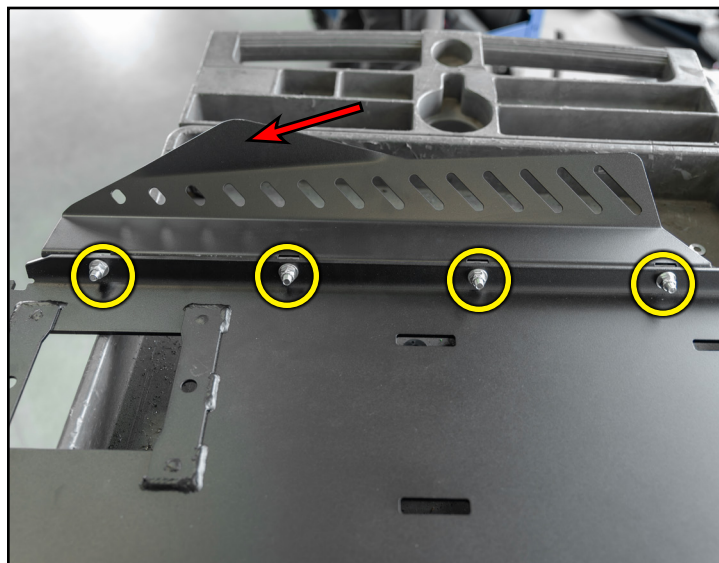
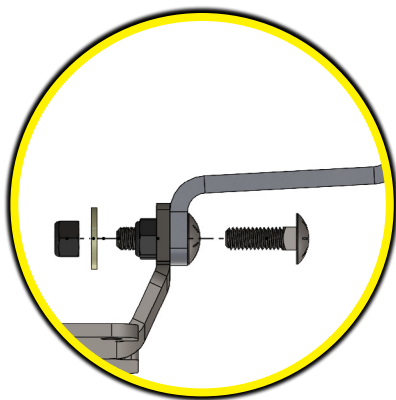


## Section 1: Installing the New Catalytic Guards

### Step #3

Align the LH and RH catalytic guards with the mounting locations on the transmission skid plate and ensure the notch (arrow) is facing toward the front of the transmission skid plate.

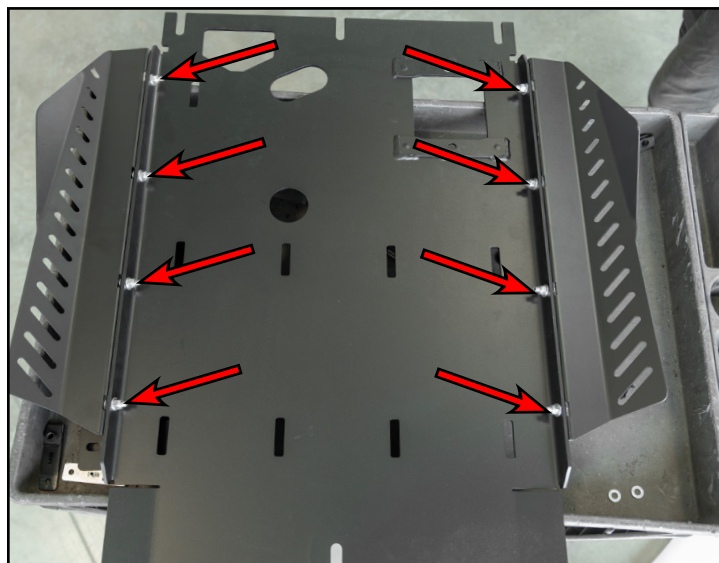
Insert the provided 5/16" carriage bolts (circled in **YELLOW**) through the catalytic guards and the transmission skid plate towards the center of the transmission skid plate as shown in the inset photo.



### Step #4 9/16" SAE Socket & Ratchet

Secure the LH and RH catalytic guards onto the transmission skid plate, then fully tighten the hardware (arrows).

Install the assembled transmission skid plate into place. ***\*Refer to the RCI Transmission Skid Plate Installation Guide.***

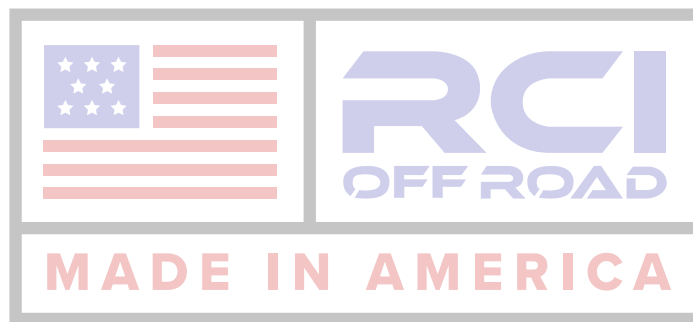


**CONGRATULATIONS, YOUR INSTALLATION IS COMPLETE!**

**ENJOY YOUR NEW RCI PROTECTION!**



**Share your new install with us on social media!  
We love seeing our products in the wild!**



**Follow us on social media:**  
[instagram.com/rcioffroad/#](https://www.instagram.com/rcioffroad/)  
[facebook.com/RCIOffroad](https://www.facebook.com/RCIOffroad)  
[youtube.com/@RCIOFFROAD](https://www.youtube.com/@RCIOFFROAD)

**Contact:**  
1.970.797.3089  
[SALES@RCIOFFROAD.COM](mailto:SALES@RCIOFFROAD.COM)  
6701 N. FRANKLIN AVE. LOVELAND, CO 80538

**These instructions are provided as a courtesy by RCI Offroad**

Disclaimer: The products sold by RCI Metalworks are intended for off-road use only, should not be modified, and are for use only on the vehicle(s) specifically stated. RCI Metalworks makes no warranties express or implied, including of fitness for a particular purpose or merchantability. RCI Metalworks will not be liable for any damages arising out of the use or misuse of its products. It is the customers' responsibility to ensure the products are safely and properly attached to the vehicle, and all products should be installed by trained professionals. We strive to maintain extremely high-quality standards; however, all RCI Metalworks products are individually handcrafted, may vary slightly, and may contain minor imperfections. Due to the nature of raw aluminum, the material may have minor scratches and other blemishes caused by the manufacturing process, especially on the back side of product. RCI Metalworks is constantly seeking to improve its products and reserves the right to make changes to any product.