

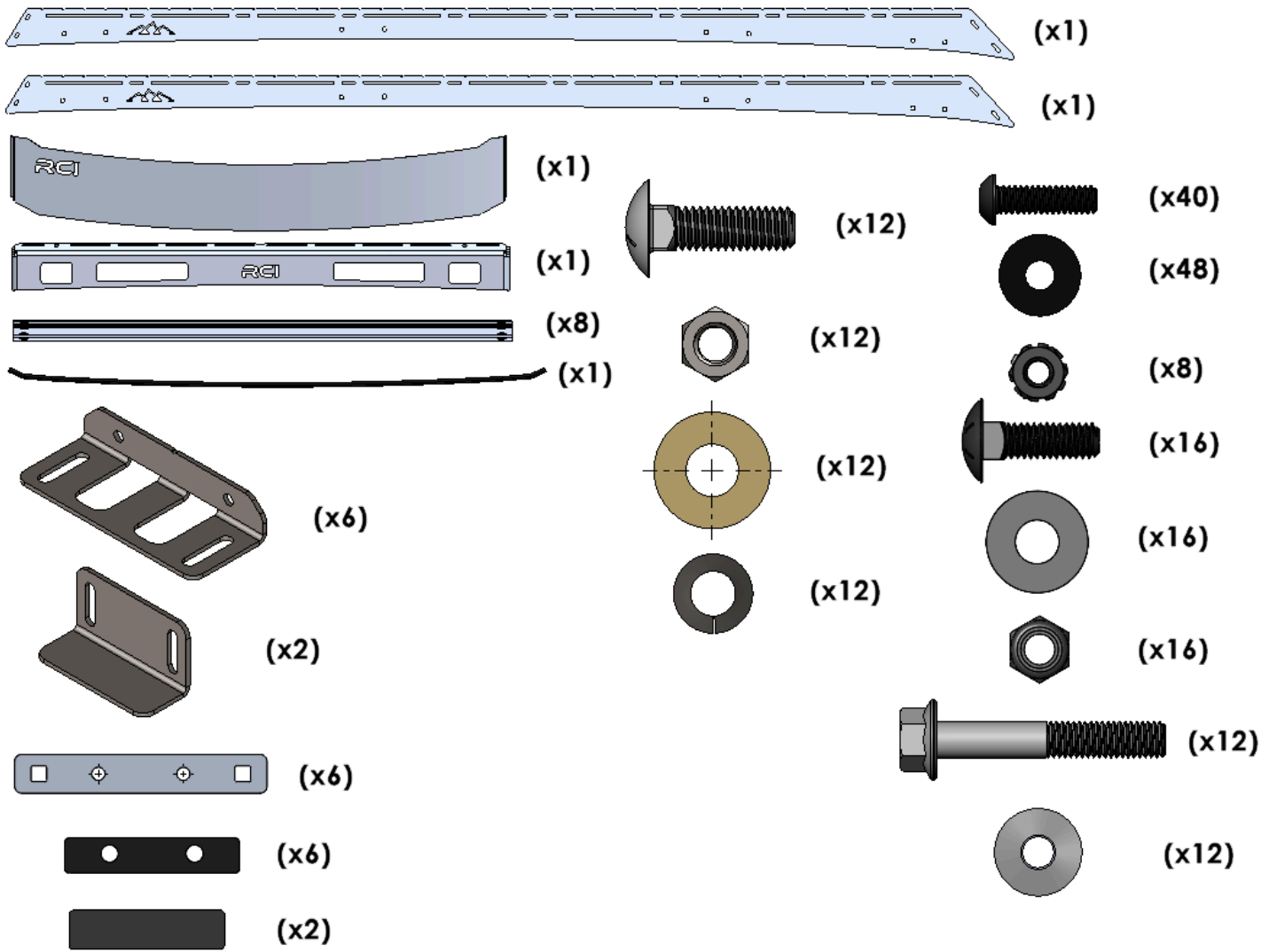
RCI 2024+ LC250 Roof Rack Installation Guide

ITEM NO.	PART NUMBER	DESCRIPTION	QTY.
1	SM-00967 (Passenger)	.25 AL LC250 Roof Rack Side Panel Passenger	1
2	SM-00966 (Driver)	.25 AL LC250 Roof Rack Side Panel Driver	1
3	SM-00360	.25_AL_T4RREAR Faring	1
4	SM-00968	.125 AL LC250 Roof Rack Front Faring	1
5	HW-00041	47" Roof Rack Extrusion Cross Bar	8
6	SM-00971	.135MS Adjustable Front Foot	2
7	SM-00970	.135MS Roof Rack Foot UNI	6
8	SM-00969	.25 AL Uni Foot Base	6
9	HK-00169	KIT: LC250 Roofrack	1



UNLESS OTHERWISE SPECIFIED:	PROPRIETARY AND CONFIDENTIAL	NAME	DATE
DIMENSIONS ARE IN INCHES TOLERANCES: FRACTIONAL ± 0.010 ANGULAR: BEND ± 0.5 TWO PLACE DECIMAL ± 0.015 THREE PLACE DECIMAL ± 0.010	THE INFORMATION CONTAINED IN THIS DRAWING IS THE SOLE PROPERTY OF RCI Offroad. ANY REPRODUCTION IN PART OR AS A WHOLE WITHOUT THE WRITTEN PERMISSION OF RCI Offroad IS PROHIBITED.	DRAWN	NA
		Export Date	
		2/6/2025	
RCI OFFROAD			
TITLE: RCI LC250 Roofrack Install Guide BOM			
Item Number RCI	FG-00582	REV 1	
DO NOT SCALE DRAWING		SCALE: 1:50	WEIGHT: SHEET 1 OF 1

RCI OFFROAD



INSTALLATION STEPS:

****Use hand tools, impact wrenches may cause damage if over torqued****

- 1) Begin by unpacking and removing all components and hardware. Please verify that all hardware and mounting components are present. Reference your original order invoice and verify all items are accounted for.
- 2) Remove OEM roof rack from the vehicle if applicable.
- 3) Remove the six plastic caps covering the mounting locations on the roof.





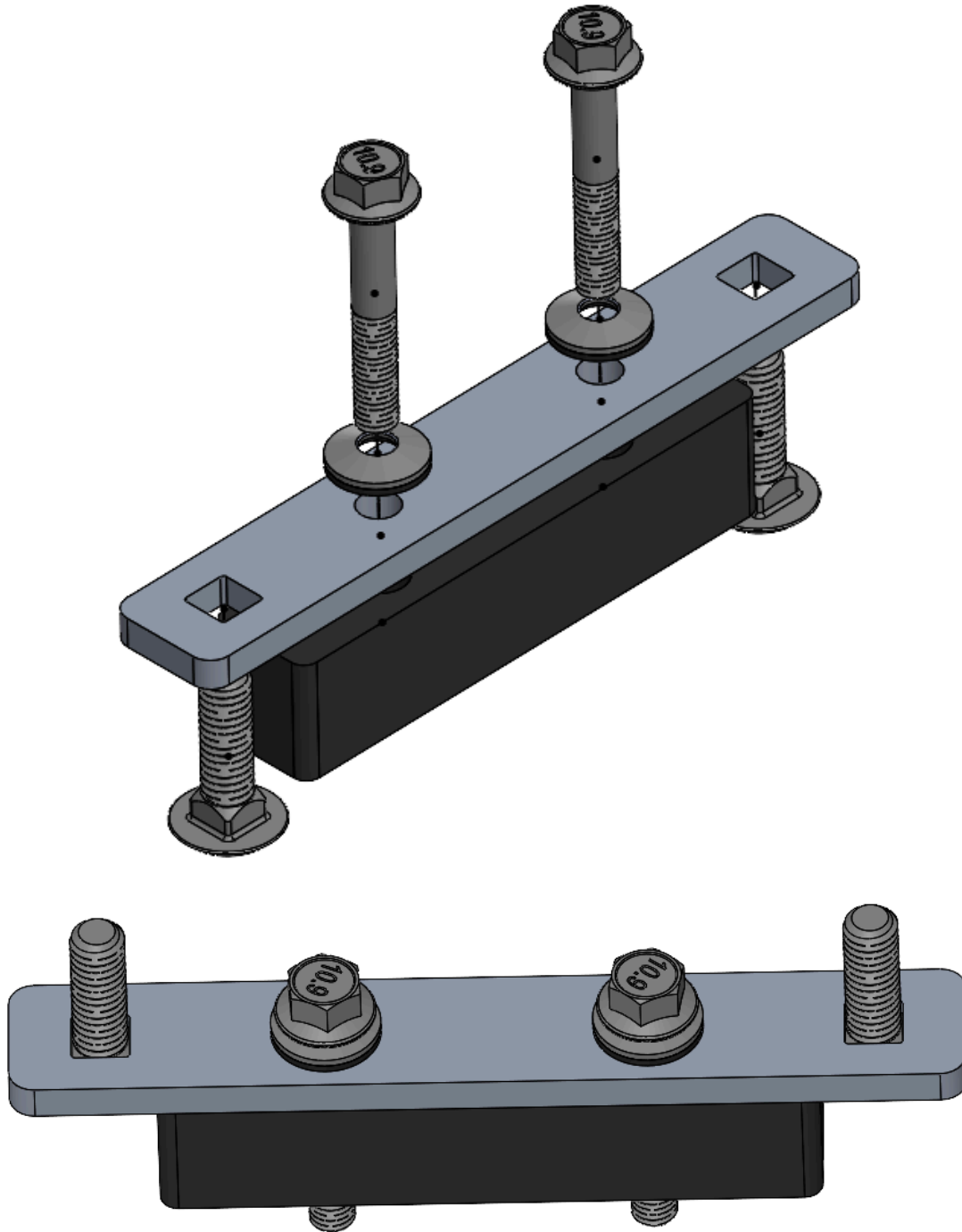
4) Remove the factory bolts and clip retainers.

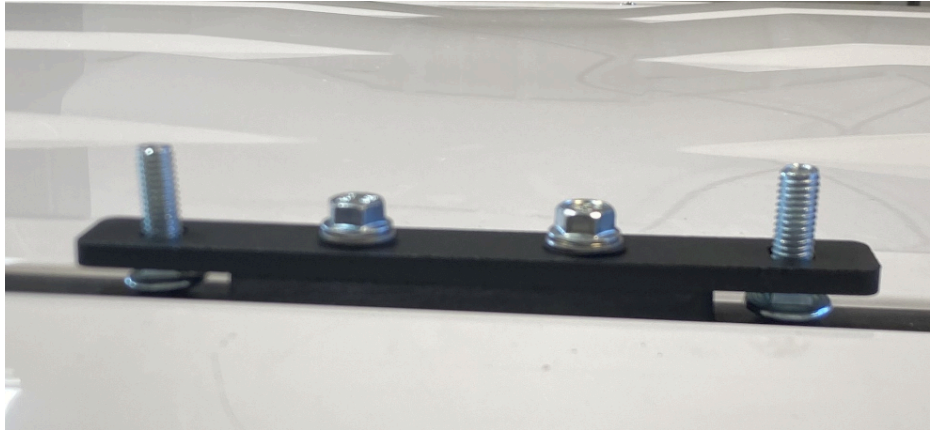


5) Collect the six rubber bases with two mounting holes and place them over the holes on the roof as depicted below.



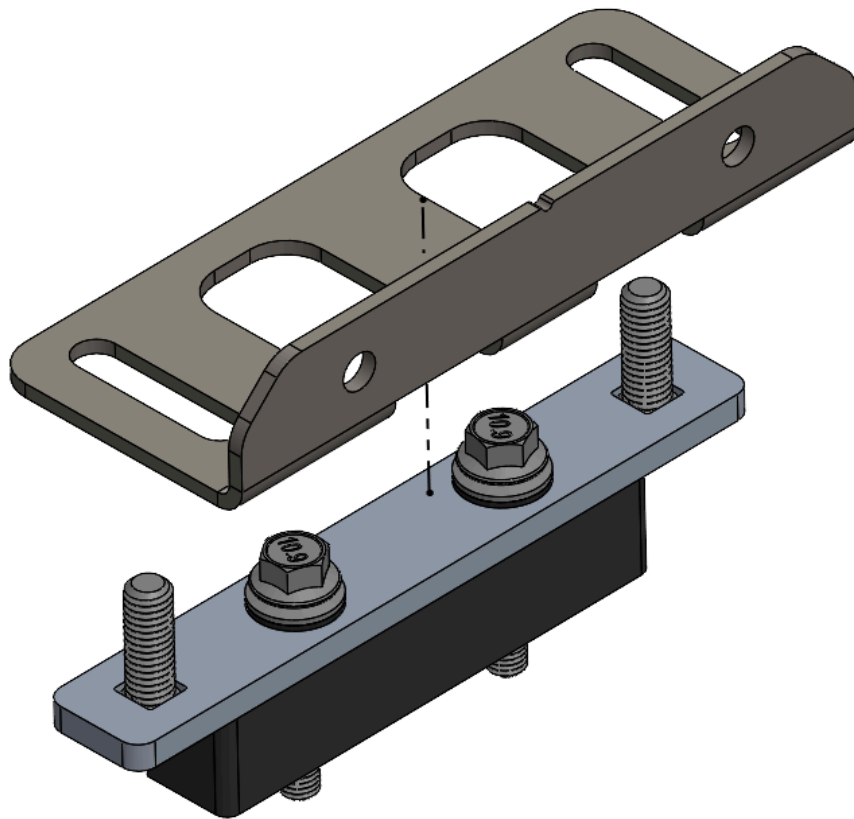
- 6) Collect the six roof rack mounting bases along with twelve (12) M8 x 50mm bolts, twelve (12) bonded rubber washers, and twelve (12) $\frac{3}{8}$ x 1.25 carriage bolts.
- 7) Place the mounting base onto the rubber pad with the carriage bolts installed. Make sure that the threads are facing up.
- 8) Secure the base by threading the M8 bolt with bonded washers into the mounting holes. Reference the figures below.

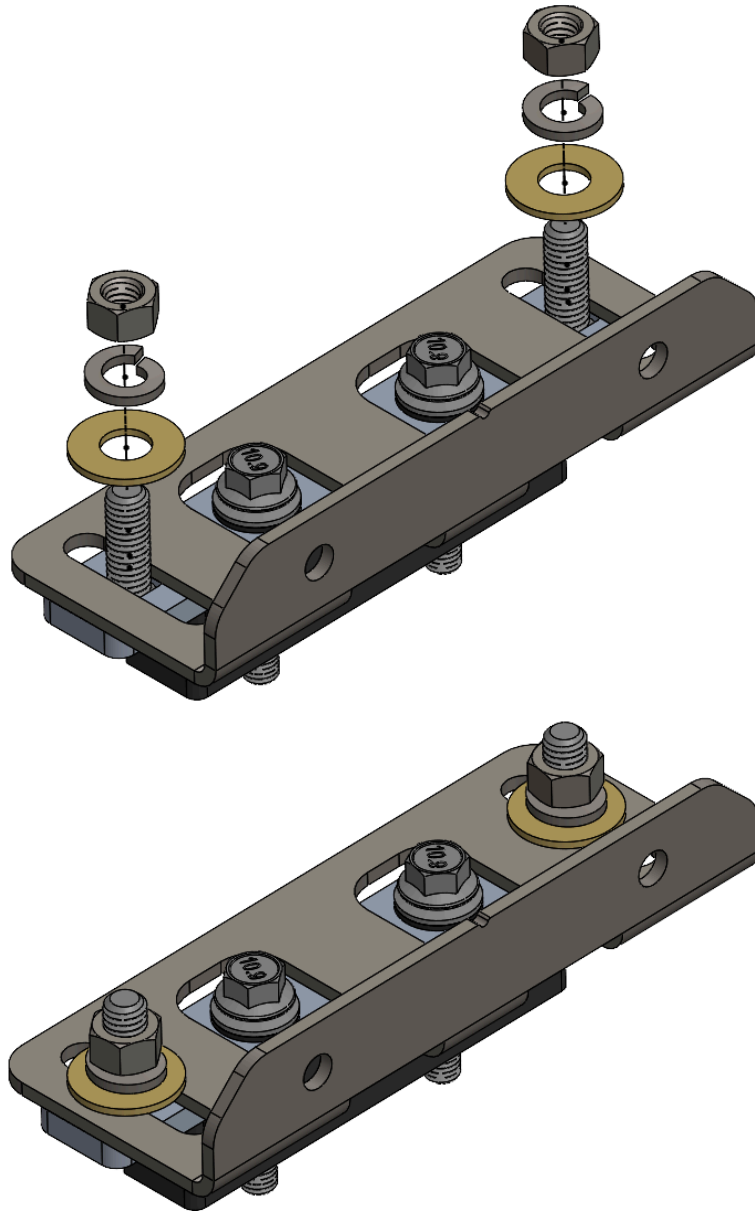




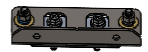
- 9) Repeat the process for all 6 mounting locations on the roof.
 - a. Torque all M8 hardware to **60in-lb**.

- 10) Install the six (6) steel mounting feet on the mounting base. Loosely secure them with the $\frac{3}{8}$ " hardware.
 - a. Ensure that the holes are facing the outside of the vehicle.





11) Repeat this process for all 6 mounting locations

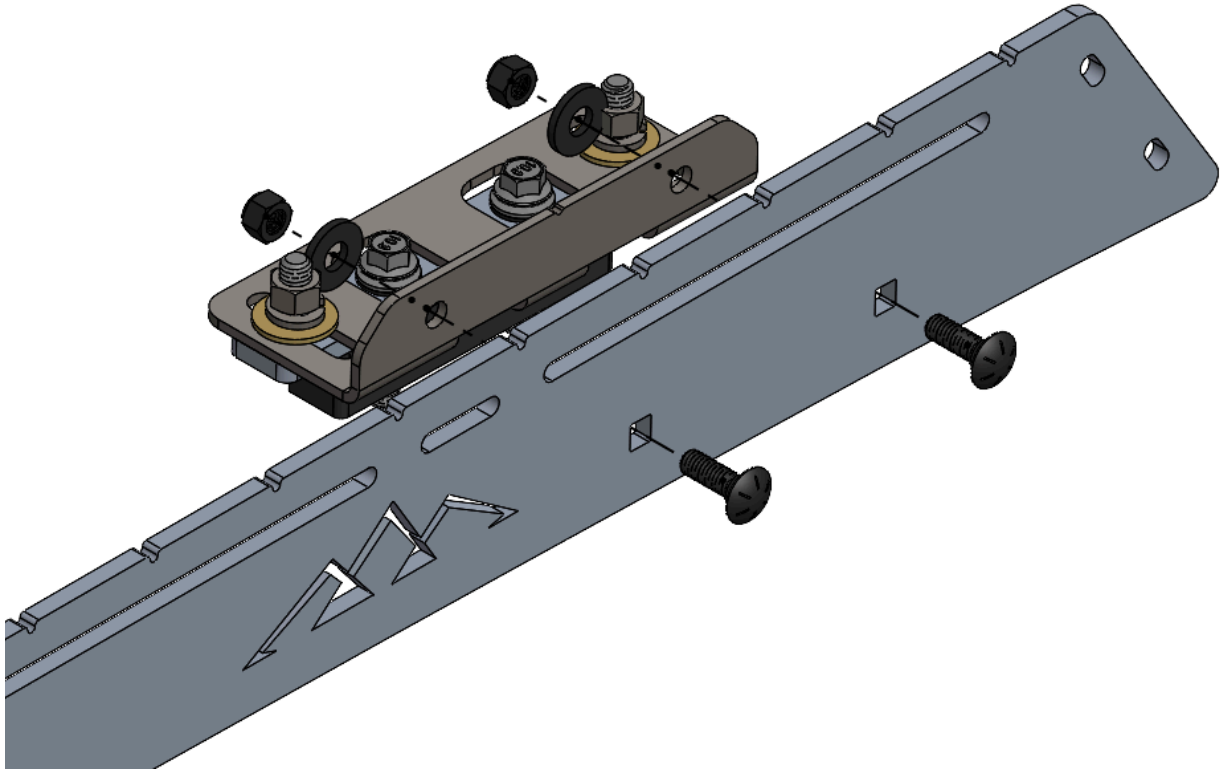


12) Collect the Driver side panel with six (6) 5/16" black carriage bolts and the corresponding black washers and lock nuts.

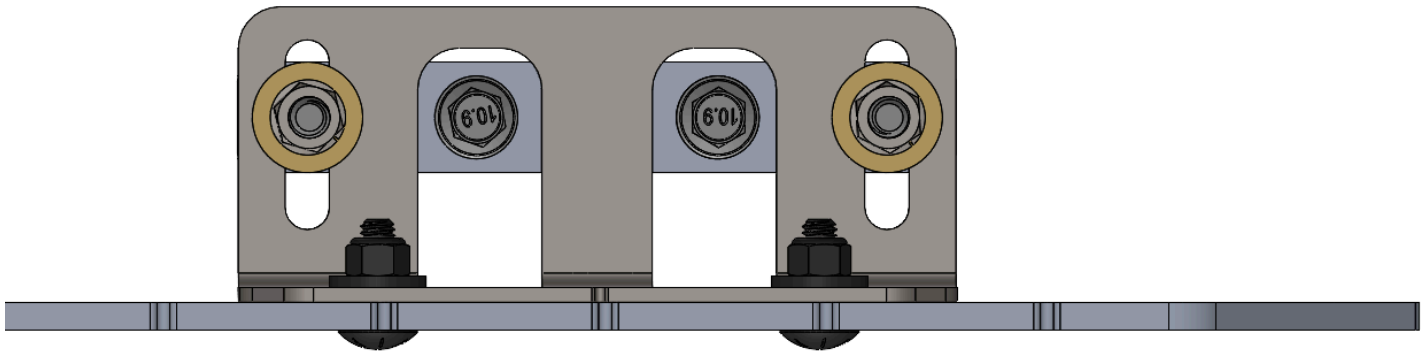
13) Hold the side panel in place and install the carriage bolts into the side panel with the head of the carriage bolt facing outwards.

14) Loosely install the washer and nut on the back side.

15) Repeat this for all six rear most mounting holes



16) Fully tighten the six 5/16" carriage bolts.

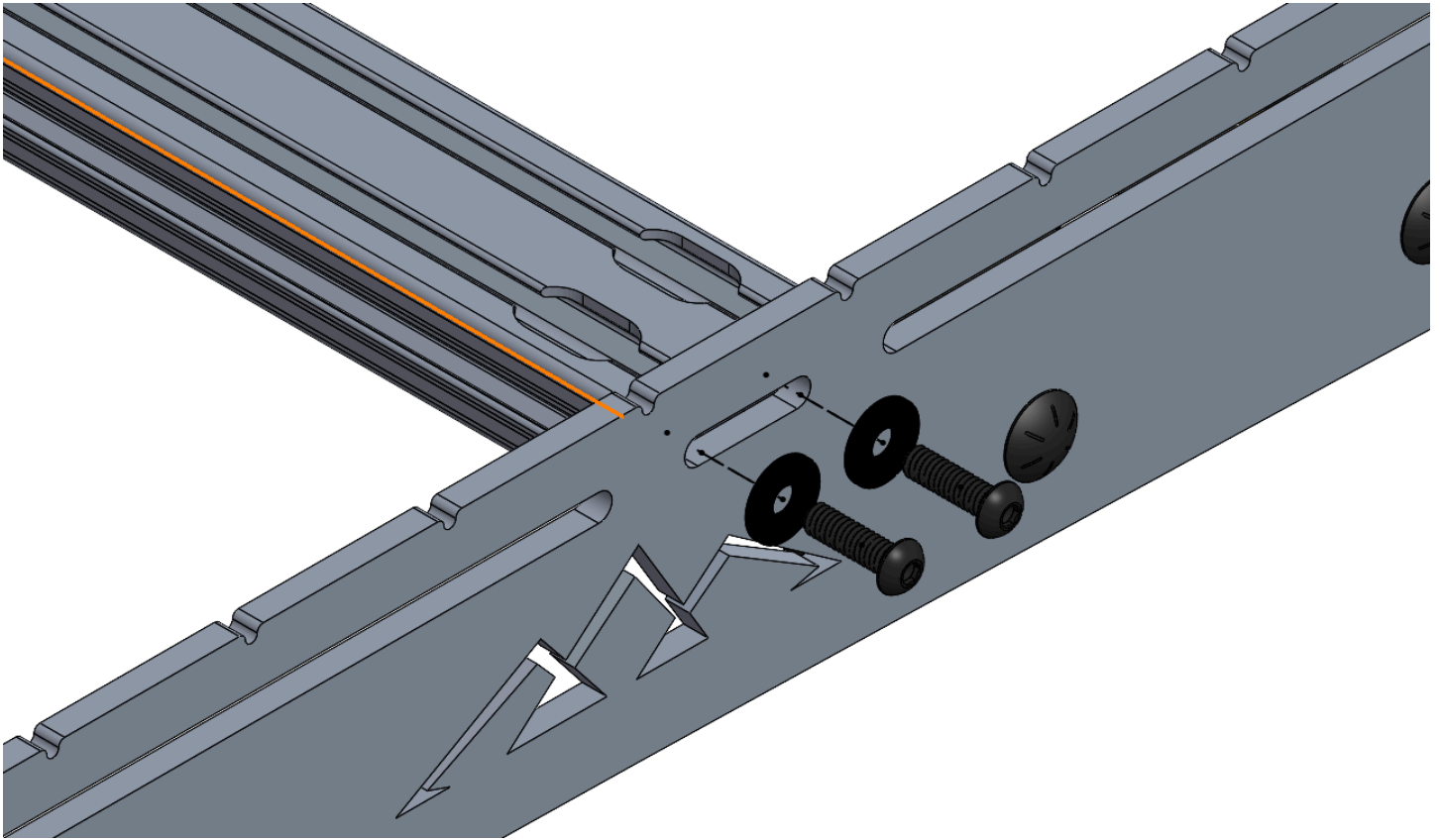


17) Repeat this process on the Passenger side of the vehicle.



18) Once both side panels are installed, collect one aluminum extrusion cross bar along with four (4) 1/4" button head bolts with four (4) 1/4" black washers.

19) Hold the cross bar into place and thread the button head bolt with a washer into the tapped holes on the extrusion. Begin on the rear of the rack and use the 1" slots for mounting.
a. NOTE: RCI recommends placing a blanket on the opposite side of the roof to rest the extrusion on to prevent damaging the paint.



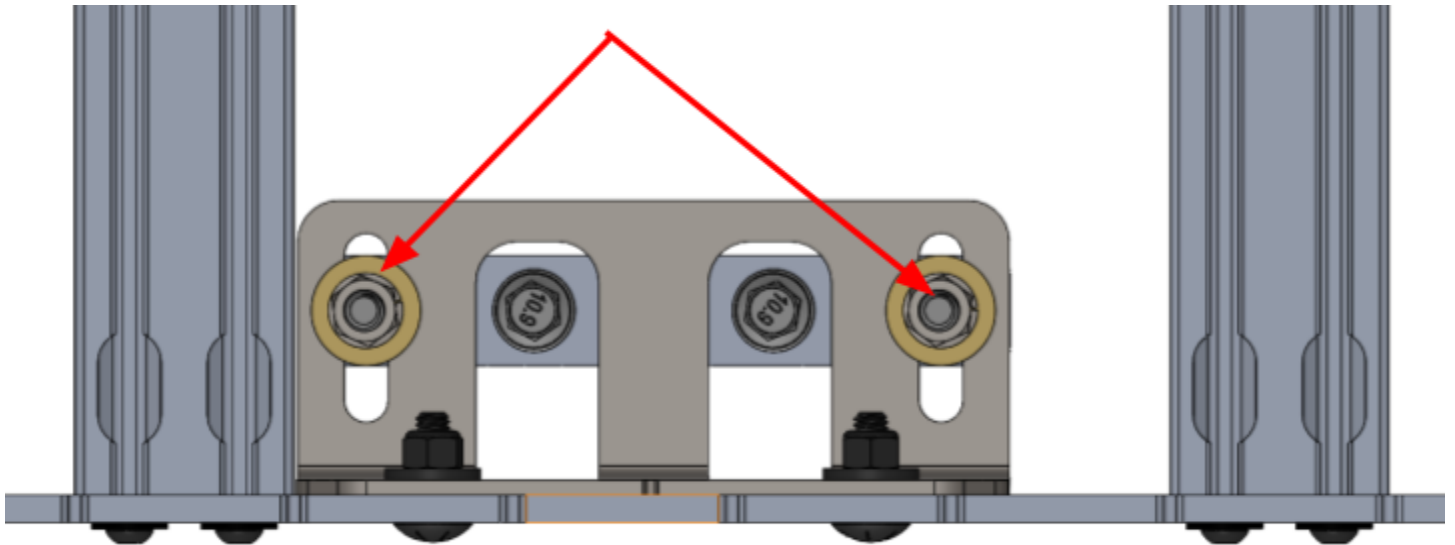
20) Move to the other side of the rack and secure the cross bar into place.



21) Repeat this process until all 8 cross bars are installed on the rack.

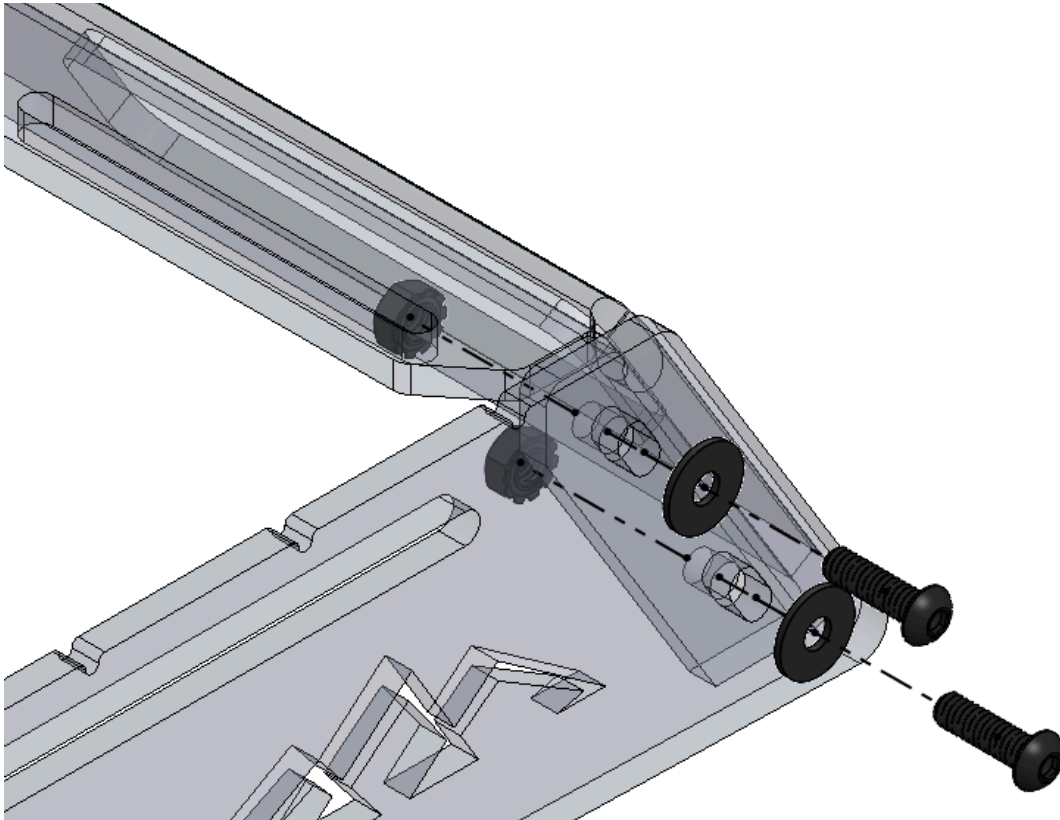


22) Make sure the rack is perfectly centered on the vehicle and fully tighten the $\frac{3}{8}$ " hardware on the mounting feet. Twelve carriage bolts in total.



23) Collect the rear fairing along with four (4) $\frac{1}{4}$ " button head bolts, eight (8) $\frac{1}{4}$ " black washers, and four (4) $\frac{1}{4}$ " keps nuts.

24) Install the rear fairing as depicted below.

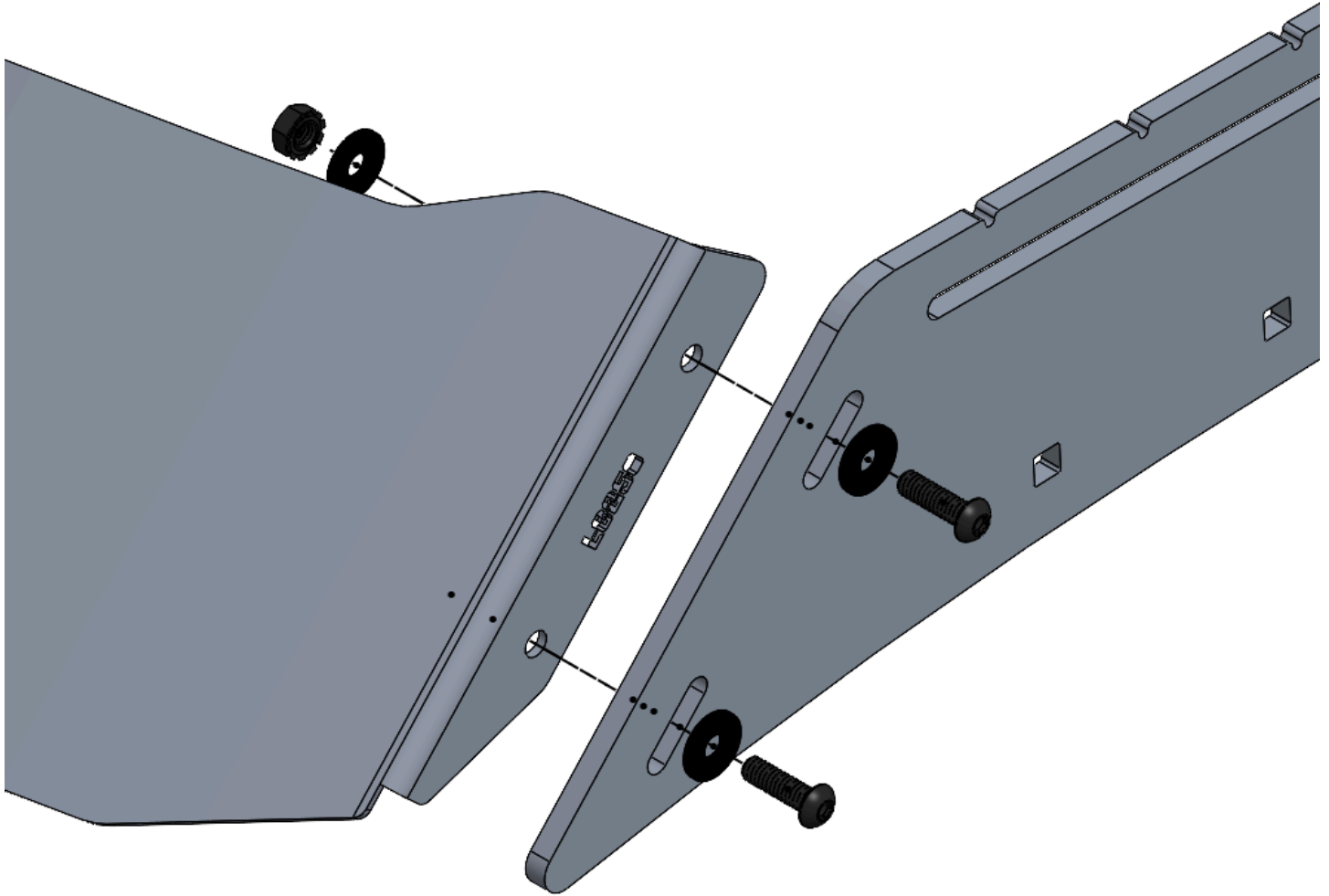


25) Collect the front fairing and install the provided weather stripping along the bottom edge.



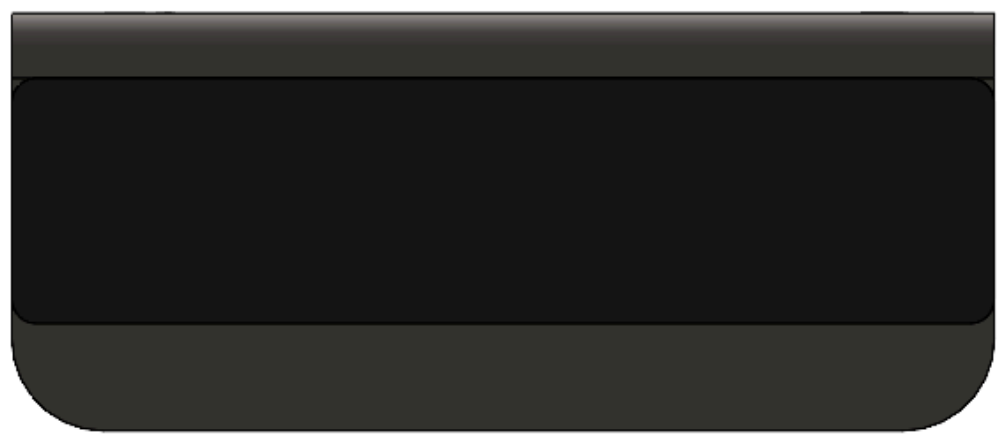
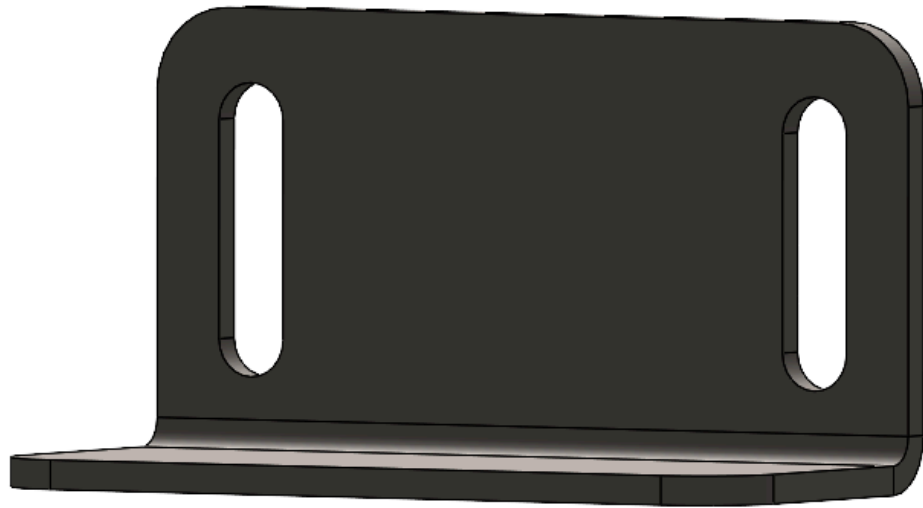
26) Collect four (4) ¼" button head bolts, eight (8) ¼" black washers, and four (4) ¼" keps nuts. Install the front fairing as depicted below.

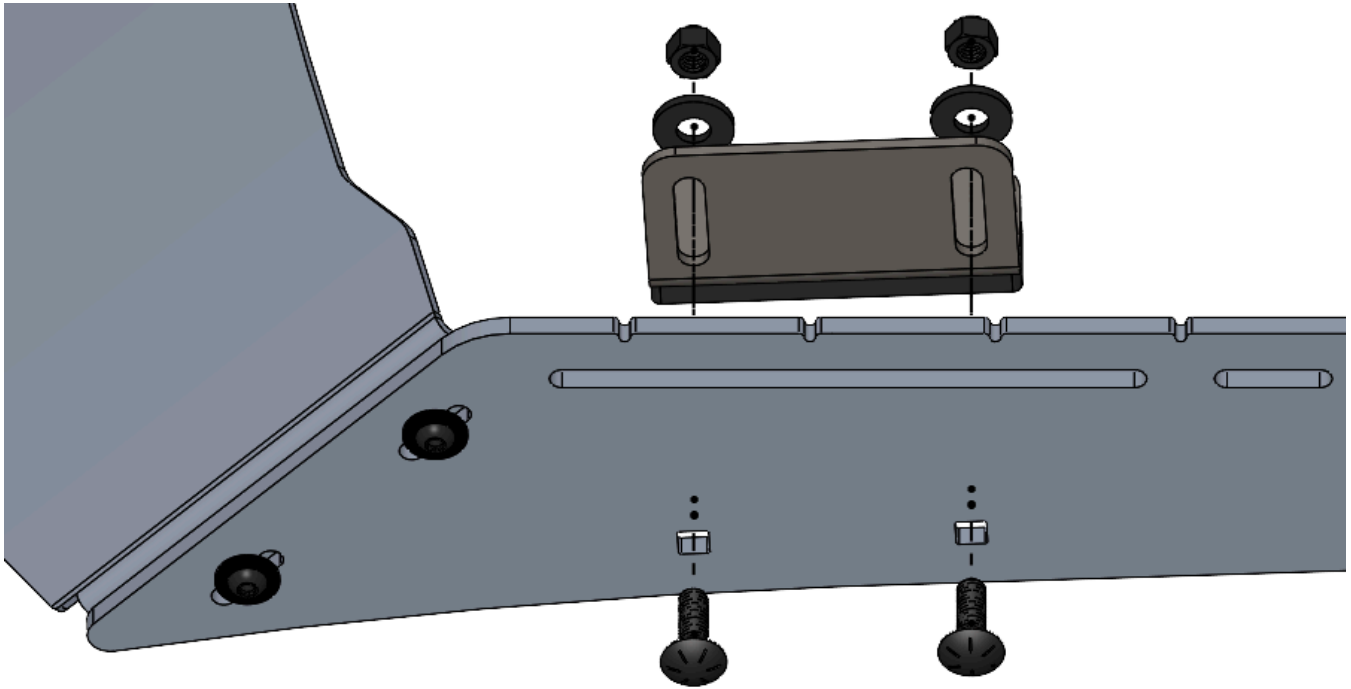
- a. NOTE: When installing the front fairing, it is designed to bow towards the front of the truck. It is IMPORTANT to push the front fairing as far down as possible. It should be touching the roof of your truck.



27) Collect one (1) adjustable mounting foot, one (1) adhesive rubber pad, and two (2) 5/16" black carriage bolts with washers and nuts.

28) Install the rubber pad on the base of the mounting foot and install it as depicted below.





29) Pull up on the front of the rack while pushing down on the mounting foot and fully tighten the 5/16" hardware.

30) Repeat this process on the opposite side of the vehicle.

31) Go through and ensure all hardware is fully tightened.

Enjoy your new RCI protection!



**Share your new install with us on social media!
We love seeing our products out in the wild!**

www.rcimetalworks.com

sales@rcioffroad.com

970-797-3089



Disclaimer: The products sold by RCI Metalworks are intended for off-road use only, should not be modified, and are for use only on the vehicle(s) specifically stated. RCI Metalworks makes no warranties express or implied, including of fitness for a particular purpose or merchantability. RCI Metalworks will not be liable for any damages arising out of the use or misuse of its products. It is the customers' responsibility to ensure the products are safely and properly attached to the vehicle, and all products should be installed by trained professionals. We strive to maintain extremely high quality standards; however, all RCI Metalworks products are individually handcrafted, may vary slightly, and may contain minor imperfections. Due to the nature of raw aluminum, the material may have minor scratches and other blemishes caused by the manufacturing process, especially on the back side of product. RCI Metalworks is constantly seeking to improve its products and reserves the right to make changes to any product.