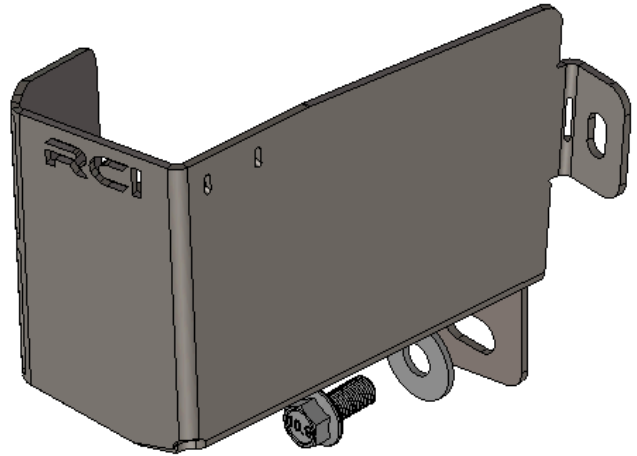


RCI 10+ 4Runner Washer Fluid Reservoir Skid Plate Installation Guide

| ITEM NO. | PART NUMBER | DESCRIPTION | QTY. |
|----------|-------------|---|------|
| 1 | SM-00929 | 10+ 4Runner Washer Fluid Reservoir Skid | 1 |
| 2 | HK-00163 | 10-T4R WASHER RES SKID HARDWARE | 1 |
| 2.1 | HW-00022 | 1/2 USS FLAT WASHER THRU HARD | 1 |
| 2.2 | HW-00063 | M12-1.25 X 25MM HEX FLANGE | 1 |



| UNLESS OTHERWISE SPECIFIED: | PROPRIETARY AND CONFIDENTIAL | DRAWN | NAME | DATE |
|--|--|-------------|---------|--------------|
| DIMENSIONS ARE IN INCHES TOLERANCES: FRACTIONAL ± 0.010 ANGULAR: BEND ± 0.5 TWO PLACE DECIMAL ± 0.015 THREE PLACE DECIMAL ± 0.010 | THE INFORMATION CONTAINED IN THIS DRAWING IS THE SOLE PROPERTY OF RCI Offroad. ANY REPRODUCTION IN PART OR AS A WHOLE WITHOUT THE WRITTEN PERMISSION OF RCI Offroad IS PROHIBITED. | NA | NA | NA |
| | | Export Date | | |
| | | | | 12/12/2024 |
| RCI OFFROAD | | | | |
| TITLE: | | | | |
| 10+ T4R Washer Reservoir Skid Plate Install Guide BOM | | | | |
| Item Number | | | | REV |
| FG-00548 | | | | 1 |
| DO NOT SCALE DRAWING | | SCALE: 1:5 | WEIGHT: | SHEET 1 OF 1 |

Figure 1:BOM

INSTALLATION STEPS:

****Use hand tools, impact wrenches may cause damage if over torqued.**

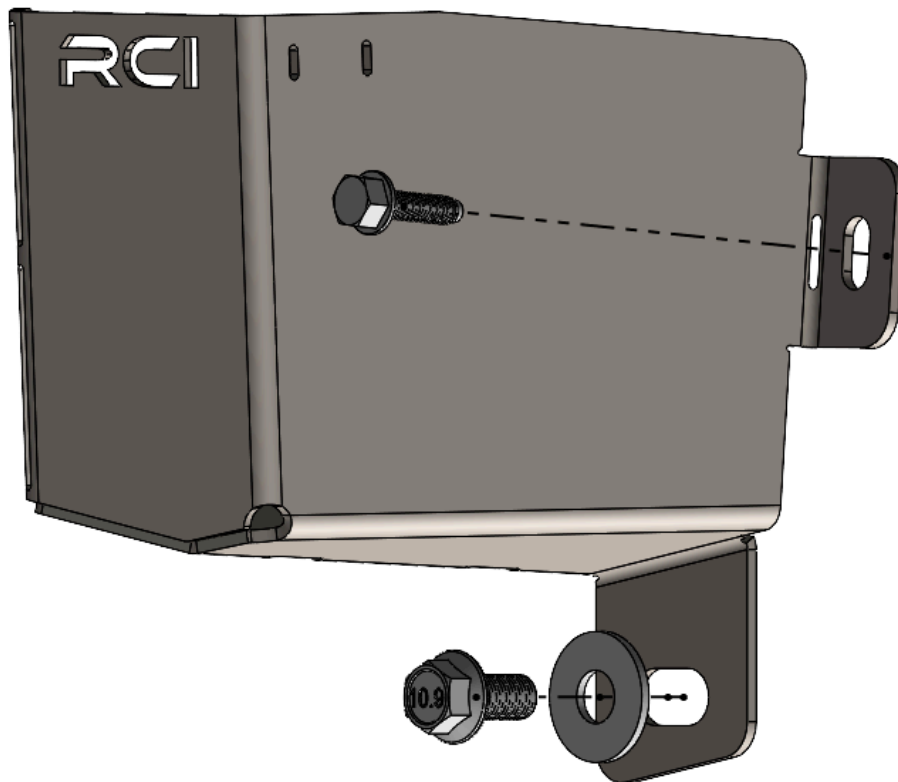
1. Begin by unpacking and removing all components and hardware. Please verify that all hardware, components, and mounting components are present. Please reference your original order invoice and verify all items are accounted for.

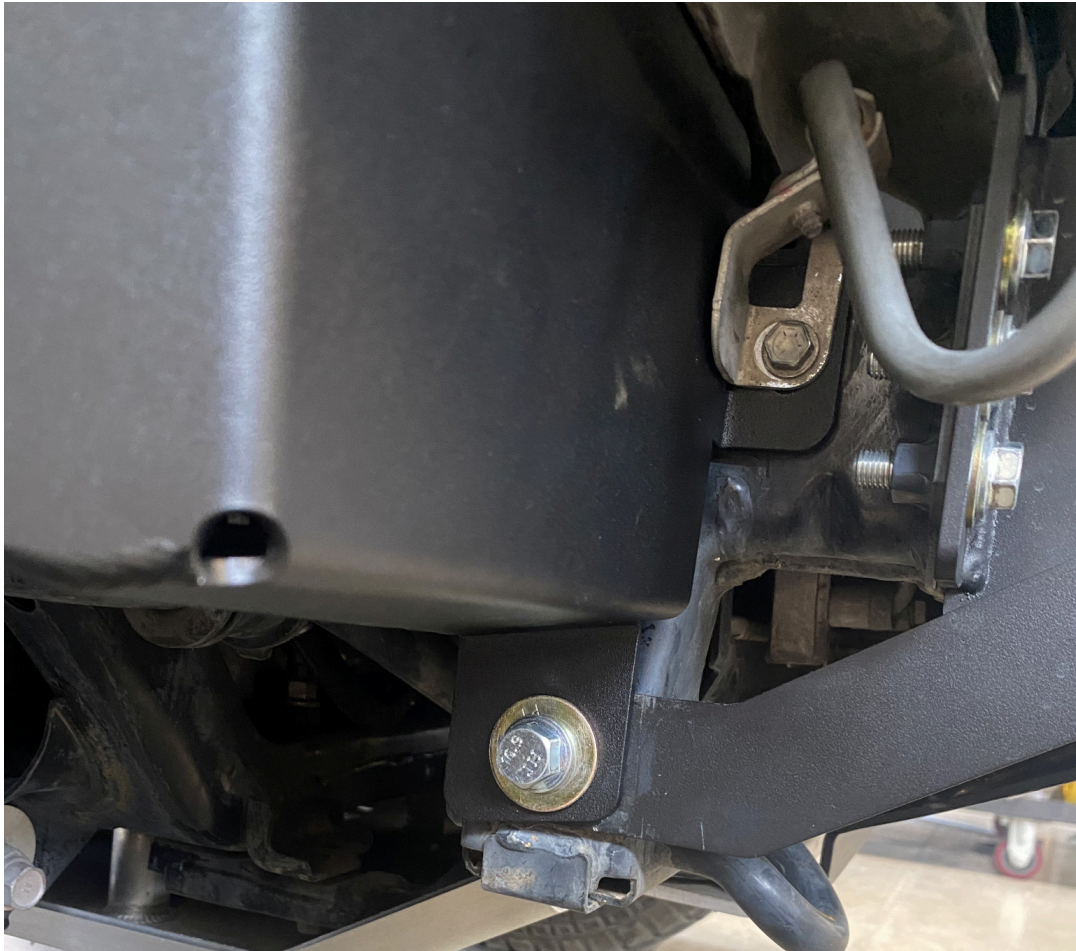
2. Prepare the vehicle for installation.
 - a. Remove the power steering line bolt.
 - b. Remove the sticker on the frame to expose the threaded hole



RCI OFFROAD

3. Slide the RCI skid plate over the washer fluid reservoir and sandwich it behind the power steering mount. Secure the skid with the oem power steering bolt.
4. Collect the provided M12 bolt and washer and install it in the lower mounting location as depicted below.
 - a. If installing the skid plate in conjunction with an RCI front bumper, install the reservoir skid on top of the bumper support bracket.





5. If desired, secure the washer fluid reservoir pump lines with a zip tie.



6. Congratulations! You have successfully completed installation of the RCI 10+ 4Runner Washer Fluid Reservoir Skid Plate. Take a moment to admire your work and ensure all hardware is tightened.



Enjoy your new RCI protection!



Share your new install with us on social media!

We love seeing our products out in the wild!

www.rcimetalworks.com

sales@rcioffroad.com

970-797-3089

REV: 1 | 9/29/2022

Disclaimer: The products sold by RCI Metalworks are intended for off-road use only, should not be modified, and are for use only on the vehicle(s) specifically stated. RCI Metalworks makes no warranties express or implied, including of fitness for a particular purpose or merchantability. RCI Metalworks will not be liable for any damages arising out of the use or misuse of its products. It is the customers' responsibility to ensure the products are safely and properly attached to the vehicle, and all products should be installed by trained professionals. We strive to maintain extremely high-quality standards; however, all RCI Metalworks products are individually handcrafted, may vary slightly, and may contain minor imperfections. Due to the nature of raw aluminum, the material may have minor scratches and other blemishes caused by the manufacturing process, especially on the back side of product. RCI Metalworks is constantly seeking to improve its

