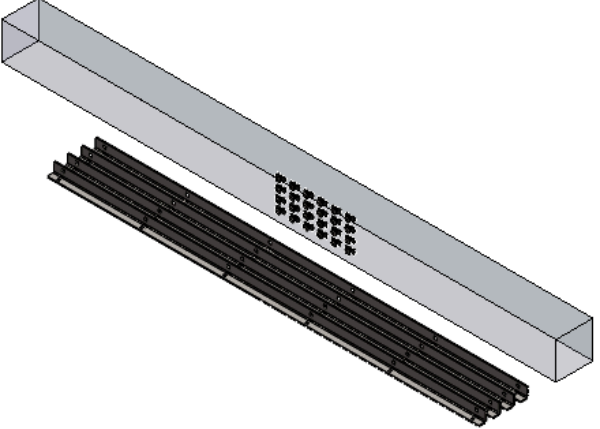


Universal Roof Rack Extrusion Stiffener Installation Guide

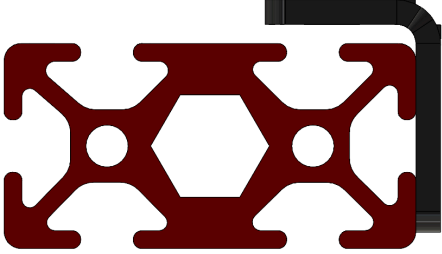
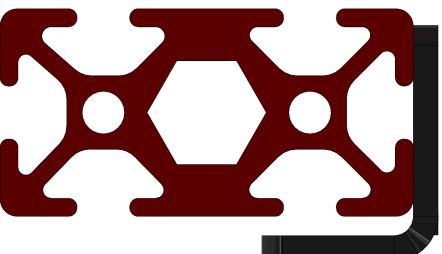
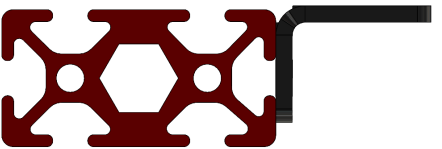
ITEM NO.	PART NUMBER	DESCRIPTION	QTY.	
1	SM-00894	Roof Rack Extrusion Stiffener - 47" Length, L-Bend	4	
2	HK-00155	Roof Rack Extrusion Stiffener Kit X4	1	
2.1	HW-00189	1/4-20 0.375in Flanged Button-head screw	24	
2.2	HW-00014	1/4-20 ECONOMY T-SLOT NUT	24	
3	BX-00048	60x4x4 Bronco – 2 Pinch Seam Covers	1	

UNLESS OTHERWISE SPECIFIED:	PROPRIETARY AND CONFIDENTIAL	NAME	DATE
DIMENSIONS ARE IN INCHES TOLERANCES: FRACTIONAL: ±0.010 ANGULAR: BEND ±0.5 TWO PLACE DECIMAL: ± 0.015 THREE PLACE DECIMAL: ± 0.010	THE INFORMATION CONTAINED IN THIS DRAWING IS THE SOLE PROPERTY OF RCI Offroad. ANY REPRODUCTION IN PART OR AS A WHOLE WITHOUT THE WRITTEN PERMISSION OF RCI Offroad IS PROHIBITED.	DRAWN KL	9/30/2024
		Export Date	
		9/30/2024	
RCI OFFROAD			
TITLE: UNI-Roof-Stiff-47L-X4 BOM			
Item Number Default		REV 1	
DO NOT SCALE DRAWING		SCALE: 1:10	WEIGHT: SHEET 1 OF 6

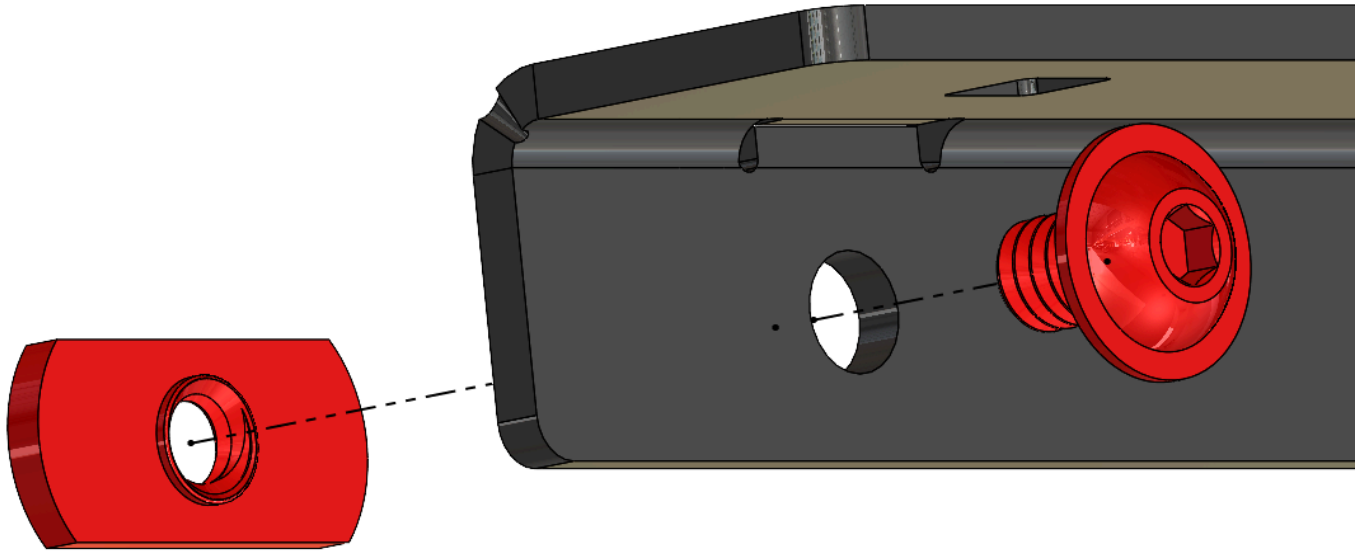
INSTALLATION STEPS:

****Use hand tools, impact wrenches may cause damage if over torqued.**

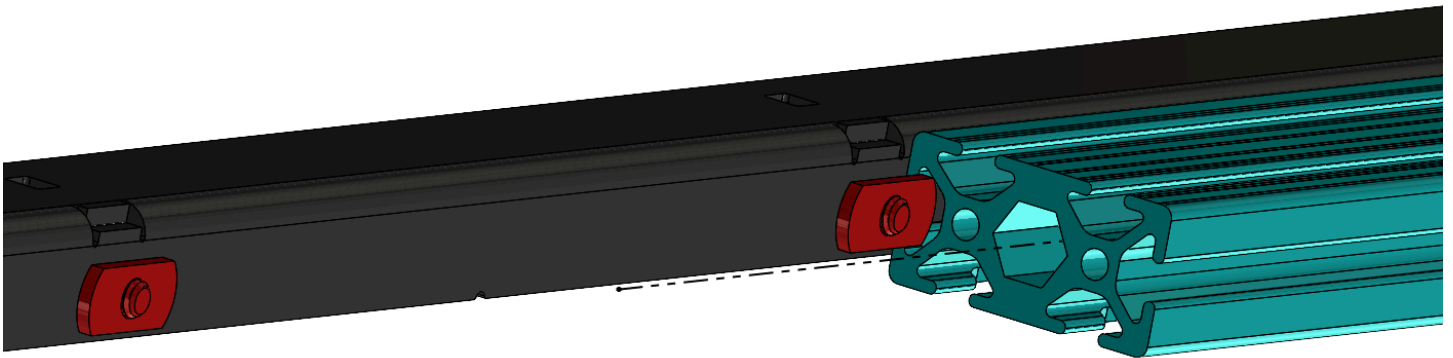
1. Begin by unpacking and removing all components and hardware. Please verify that all hardware, components, and mounting components are present. Please reference your original order invoice and verify all items are accounted for.
2. These roof rack extrusion stiffeners can be mounted in several orientations. Please review the possible orientations below and choose the best suited orientation for your roof rack use-case.
 - a. Though highly unnecessary in normal operating conditions, you can mount two stiffeners to each crossbar as you deem necessary.

Mounting Holes	Orientation	Things to consider
Square		<ul style="list-style-type: none"> • Provides the most support. Reduces crossbar deflection by up to 50% in our testing. • Covers one of the upper mounting slots. Accessory panels may be used to mount tents and other accessories between two crossbars.
Square		<ul style="list-style-type: none"> • Provides maximal support(up to 41%) while keeping the upper mounting face available for tents and other accessories. • The lower support flange extends past the lower face of the extrusion. On crossbars with little roof clearance,this mounting method is not recommended
Circle		<ul style="list-style-type: none"> • Provides support (up to 29%) without interfering with roof clearance or mounting availability. • The square holes on the upper face of the support can be used as additional mounting locations with 1/4" hardware.

3. Identify the crossbars that will experience the most load and/or at greatest risk for flexing into the roof of the vehicle. Remove these crossbars from the roof rack.
4. Loosely install a set of 1/4-20 flanged bolts and t-slot nuts in each of the square or round holes in the extrusion stiffener based on your selected configuration.

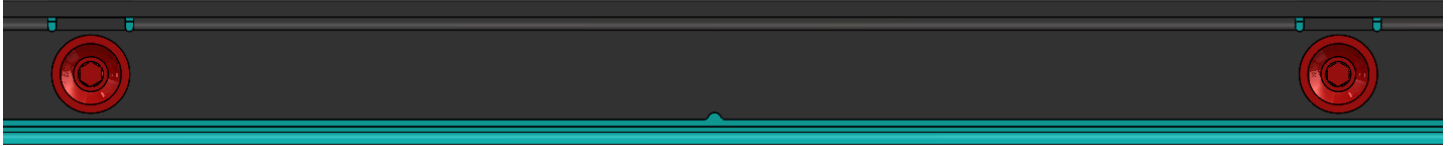


5. From the side, slide the t-slot nuts into the slots of the extrusion crossbar.





6. Center the stiffener on the extrusion crossbar and tighten the hardware to secure it.
 - a. There is a small dimple at the center of the stiffener. Measure and mark the center of the extrusion and align the dimple with this mark to ensure that the stiffener is centered.



7. Repeat this process for all of the stiffeners.
8. Reinstall any crossbars removed from an existing rack or proceed to assemble and install your new RCI roof rack!



Enjoy your new RCI protection!

Share your new install with us on social media!

We love seeing our products out in the wild!

www.rcimetalworks.com

sales@rcioffroad.com

970-797-3089



REV: 11/02/2022

Disclaimer: The products sold by RCI Metalworks are intended for off-road use only, should not be modified, and are for use only on the vehicle(s) specifically stated. RCI Metalworks makes no warranties express or implied, including of fitness for a particular purpose or merchantability. RCI Metalworks will not be liable for any damages arising out of the use or misuse of its products. It is the customers' responsibility to ensure the products are safely and properly attached to the vehicle, and all products should be installed by trained professionals. We strive to maintain extremely high-quality standards; however, all RCI Metalworks products are individually handcrafted, may vary slightly, and may contain minor imperfections. Due to the nature of raw aluminum, the material may have minor scratches and other blemishes caused by the manufacturing process, especially on the back side of product. RCI Metalworks is constantly seeking to improve its products and reserves the right to make changes to any product.