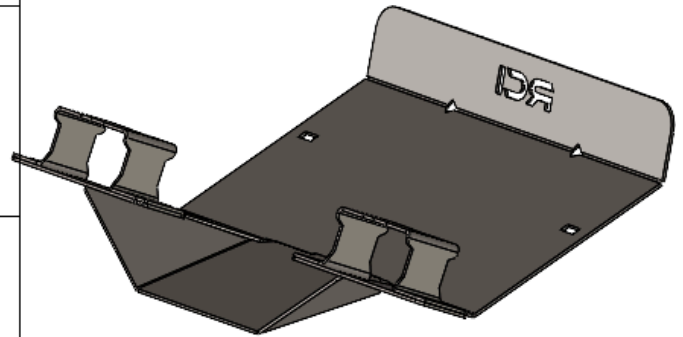


2008-2023 Sequoia Rear Diff Skid Installation Guide

ITEM NO.	DESCRIPTION	QTY.
1	08-23 Sequoia Rear Diff Skid	1
2	08-23 Sequoia Rear Diff Subframe Clamps	2
3	KIT: 08-22 Sequoia Rear Diff Skid Hardware	1



UNLESS OTHERWISE SPECIFIED:	PROPRIETARY AND CONFIDENTIAL	NAME	DATE
DIMENSIONS ARE IN INCHES TOLERANCES: FRACTIONAL ± 0.010 ANGULAR: BEND ± 0.5 TWO PLACE DECIMAL ± 0.015 THREE PLACE DECIMAL ± 0.010	THE INFORMATION CONTAINED IN THIS DRAWING IS THE SOLE PROPERTY OF RCI Offroad. ANY REPRODUCTION IN PART OR AS A WHOLE WITHOUT THE WRITTEN PERMISSION OF RCI Offroad IS PROHIBITED.	DRAWN SS	7/10/2024
		Export Date	
		8/21/2024	
RCI OFFROAD			
TITLE: SEQ-08-DIFF			
Item Number		REV	1
DO NOT SCALE DRAWING		SCALE: 1:10 WEIGHT:	SHEET 1 OF 13

Figure 1: BOM

ITEM NO.	DESCRIPTION	QTY.
1	3/8 TRANSMISSION SPACER	2
2	3/8-16 X 4 CARRIAGE BOLT GR-5	2
3	3/8-16 X 1-1/2 CARRIAGE BOLT	4
4	3/8 USS FLAT WASHER THRU HARD	6
5	3/8 SPLIT LOCK WASHER ZINC	6
6	3/8-16 FIN HEX NUT GR-5 ZINC	6
7	Full Moon Spacer	2



UNLESS OTHERWISE SPECIFIED:	PROPRIETARY AND CONFIDENTIAL	NAME	DATE
DIMENSIONS ARE IN INCHES TOLERANCES: FRACTIONAL ± 0.010 ANGULAR: BEND ± 0.5 TWO PLACE DECIMAL ± 0.015 THREE PLACE DECIMAL ± 0.010	THE INFORMATION CONTAINED IN THIS DRAWING IS THE SOLE PROPERTY OF RCI OFFROAD. ANY REPRODUCTION IN PART OR AS A WHOLE WITHOUT THE WRITTEN PERMISSION OF RCI OFFROAD IS PROHIBITED.	DRAWN	SS 8/21/2024
		Export Date	
		8/21/2024	
RCI OFFROAD			
TITLE: KIT: 08-23 Sequoia Rear Diff Skid Hardware			
Item Number		REV	
5		1	
DO NOT SCALE DRAWING		SCALE: 1:10 WEIGHT:	SHEET 5 OF 13

Figure 2: Hardware BOM

INSTALLATION STEPS

****Use hand tools, impact wrenches may cause damage if over torqued****

1. Begin by unpacking and removing all components and hardware. Please verify that all hardware and mounting components are present. Reference your original order invoice and verify all items are accounted for.
2. Using a floor jack, or an additional pair of hands, place the Diff skid up against the rear diff subframe.
3. Using the two provided $\frac{3}{8}$ " x 4" carriage bolts, two transmission spacers, two $\frac{3}{8}$ " washers, two $\frac{3}{8}$ " lock washers and two $\frac{3}{8}$ " nuts. Place the transmission spacers between the skid and subframe, along the two center square cut slots and assemble the hardware, loosely, as shown in Figure 3.

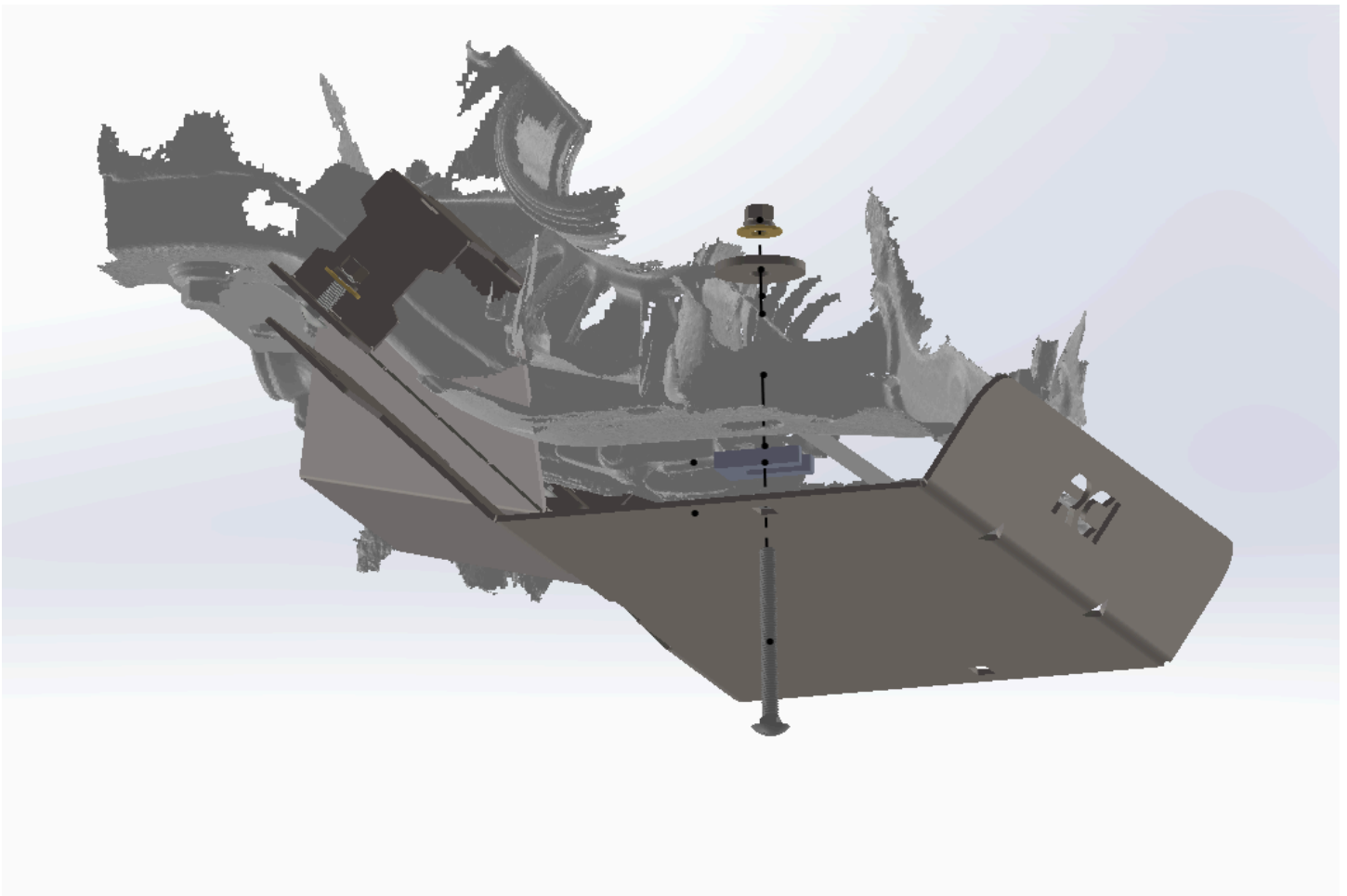


Figure 3:Center Hardware Assembly.

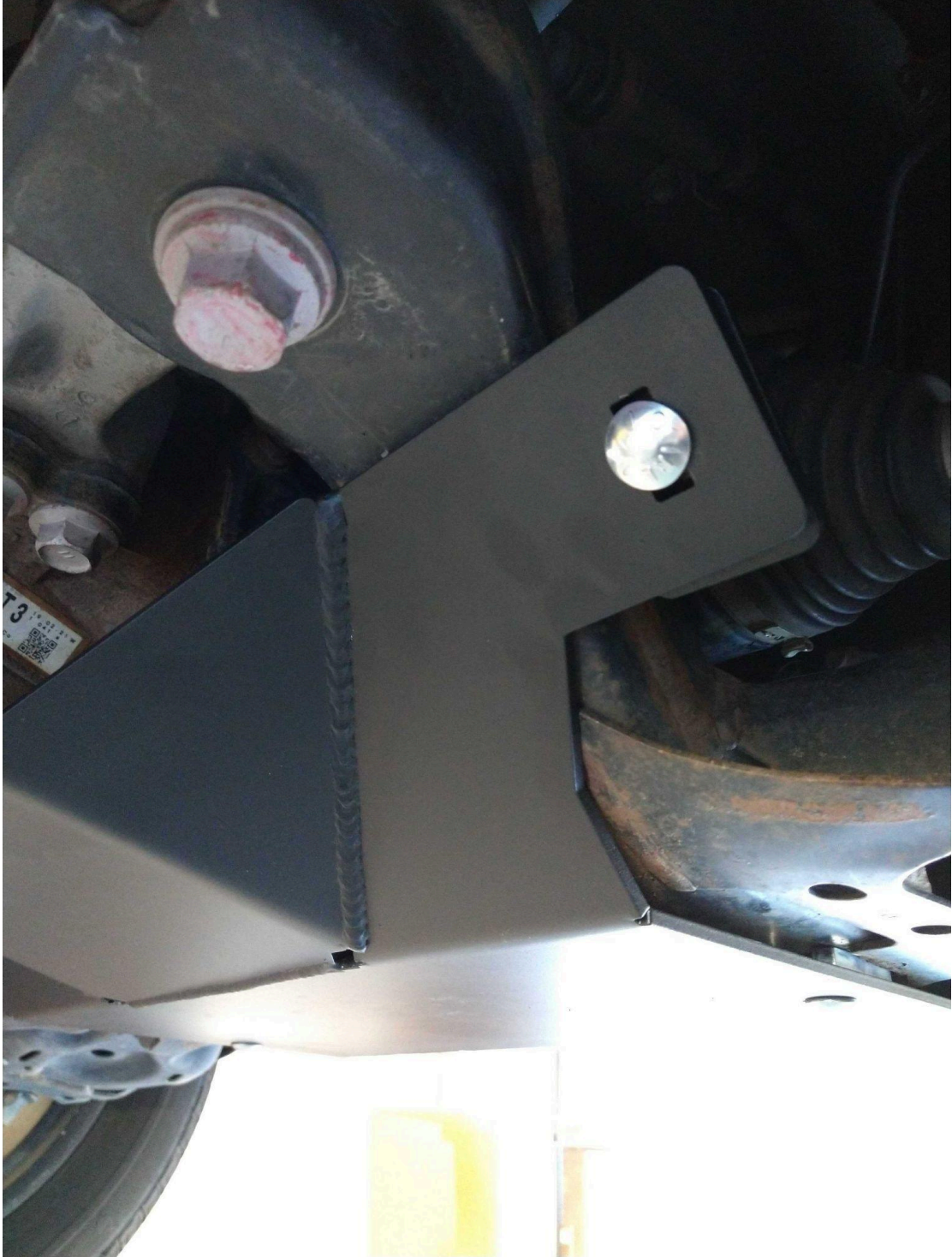


4. Gather the remaining hardware, the driver and passenger diff clamps.
5. Place the diff clamp over the top of the sub frame, matching the contours of the diff clamp and bolt together as shown in Figure 4



Figure 4: Diff Clamp Assembly.

6. Tighten all bolts.



Enjoy your new RCI protection!



Share your new install with us on social media!

We love seeing our products out in the wild!

www.rcimetalworks.com

sales@rcioffroad.com

970-797-3089



Disclaimer: The products sold by RCI Metalworks are intended for off-road use only, should not be modified, and are for use only on the vehicle(s) specifically stated. RCI Metalworks makes no warranties express or implied, including of fitness for a particular purpose or merchantability. RCI Metalworks will not be liable for any damages arising out of the use or misuse of its products. It is the customers' responsibility to ensure the products are safely and properly attached to the vehicle, and all products should be installed by trained professionals. We strive to maintain extremely high quality standards; however, all RCI Metalworks products are individually handcrafted, may vary slightly, and may contain minor imperfections. Due to the nature of raw aluminum, the material may have minor scratches and other blemishes caused by the manufacturing process, especially on the back side of product. RCI Metalworks is constantly seeking to improve its products and reserves the right to make changes to any product.