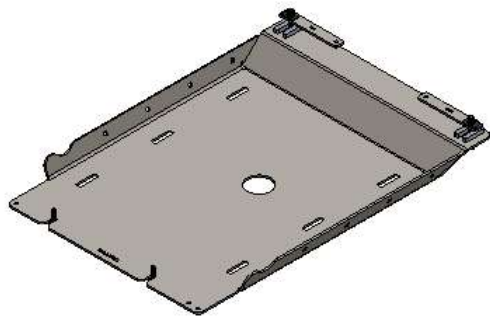


## 24+ Tacoma Transmission Skid Plate Install Guide

ITEM NO.	PART NUMBER	DESCRIPTION	QTY.
1	SM-00768	2024 Tacoma Transmission Skid Plate - Steel	1
3	HW-00003	Mounting Plate #3 .188MS	2
4	HW-00125	3/8 TRANSMISSION SPACER	2
5	HK-00124	24+ Tacoma Transmission Skid Hardware Kit	1
5.1	HW-00026	3/8 USS FLAT WASHER THRU HARD	2
5.2	HW-00025	M8-1.25 X 30MM HEX FLANGE BOLT	2
5.3	HW-00037	5/16 USS FLAT WASHER ZINC	2
5.4	HW-00162	M10 X 45 Flanged Bolt Partially Threaded	2
5.5	HW-00023	5558B1M: M10-1.5 U-NUT .90MM-	2
6	BX-00018	36x23x3 F150 TRANS	1

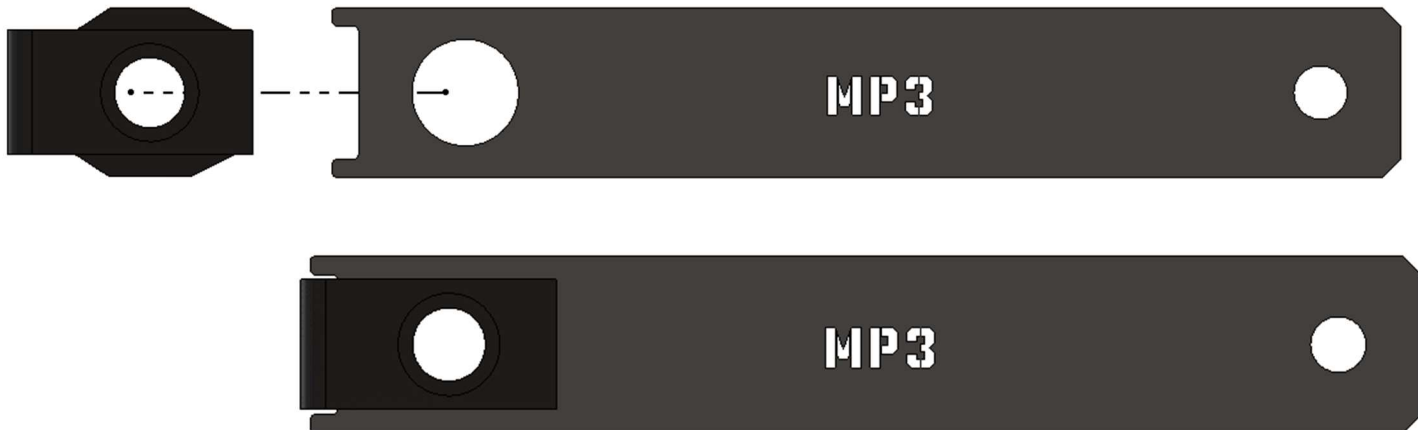
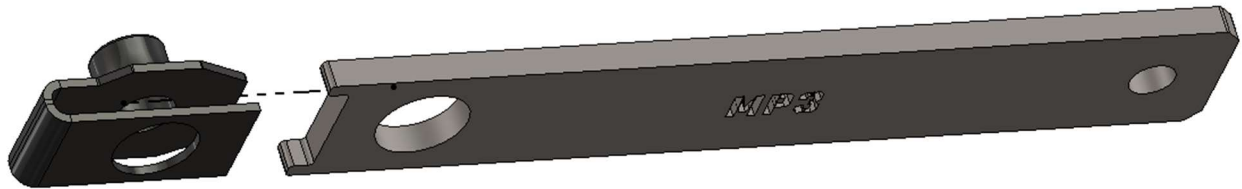
UNLESS OTHERWISE SPECIFIED:	PROPRIETARY AND CONFIDENTIAL	NAME	DATE
DIMENSIONS ARE IN INCHES TOLERANCES: FRACTIONAL ±0.010 ANGULAR BEND ±0.5 TWO PLACE DECIMAL ±0.015 THREE PLACE DECIMAL ±0.010	THE INFORMATION CONTAINED IN THIS DRAWING IS THE SOLE PROPERTY OF RCI OFFROAD. ANY REPRODUCTION IN PART OR AS A WHOLE WITHOUT THE WRITTEN PERMISSION OF RCI OFFROAD IS PROHIBITED.	DRAWN KL	04/19/2024
		Export Date 4/22/2024	
<b>RCI OFFROAD</b>			
TITLE: 24 Taco Non-Hybrid Transmission - SHIP BOM			
Item Number FG-00457		REV 1	
DO NOT SCALE DRAWING		SCALE: 1:10 WEIGHT:	SHEET 1 OF 1

Figure 1: BOM

## INSTALLATION STEPS:

**\*\*Use hand tools, impact wrenches may cause damage if over torqued.\*\***

- 1) Begin by unpacking and removing all components and hardware. Please verify that all hardware and mounting components are present. Reference your original order invoice and verify all items are accounted for.
- 2) Install the M10 speed clips on the MP3 plates.



- 3) Insert the MP3 subassemblies into the rear vehicle crossmember. Align the threaded holes of the MP3 subassemblies with the large holes in the vehicle crossmember.
  - a. Insert the MP3 plates into the crossmember from the cutouts in the center of the crossmember.



- b. Align the threaded ends of the MP3s with the large holes in the rear crossmember.



- 4) Prepare front for installation.
  - a. If installing the 24+ Tacoma Transmission Skid Plate in conjunction with the 24+ Tacoma Engine Skid Plate, loosen the engine skid plate mounting hardware so there is at least 1/4" gap between the rear of the engine skid plate and the vehicle crossmember.



- b. If installing the 24+ Tacoma Transmission Skid Plate without the 24+ Tacoma Engine Skid Plate, loosely install a set of M8 bolts in the crossmember.
- 5) Slide the front mounting flange of the transmission skid plate between the vehicle crossmember and the engine skid plate or the M8 hardware.
- 6) Hold the skid plate assembly up to the vehicle frame and loosely install the included M10 hardware through the rear of the transmission skid plate and into the MP3 plates in the crossmember.
- 7) Finishing up.
  - a. If installing the 24+ Tacoma T-Case Skid Plate, proceed to the appropriate installation guide.

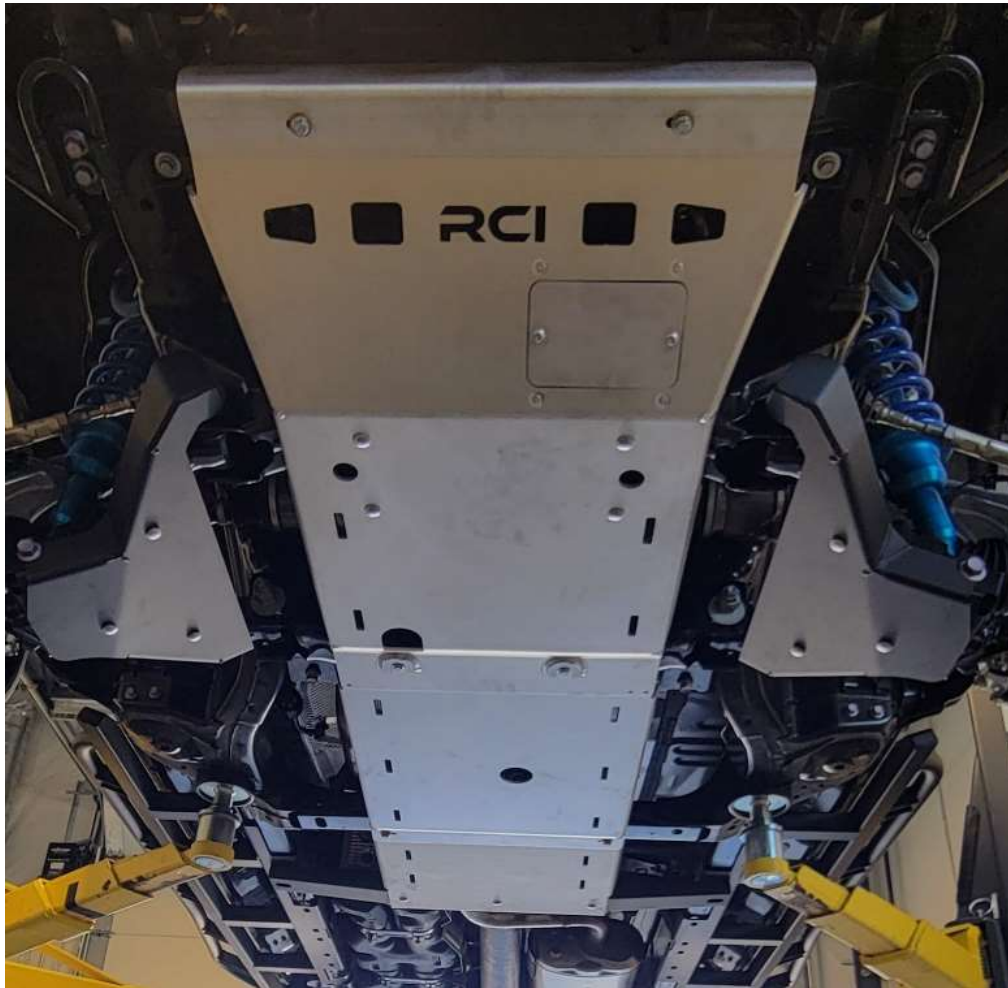
# RCI OFFROAD

- b. Otherwise, slide the included 3/8" ("U" shaped) transmission spacers between the vehicle frame and the rear mounting face of the RCI 24+ Tacoma Transmission Skid Plate and tighten all hardware.



# RCI OFFROAD

**Enjoy your new RCI protection!**



**Share your new install with us on social media!**

**We love seeing our products out in the wild!**

[www.rcimetalworks.com](http://www.rcimetalworks.com)

[sales@rcioffroad.com](mailto:sales@rcioffroad.com)

970-797-3089



---

Disclaimer: The products sold by RCI Metalworks are intended for off –road use only, should not be modified, and are for use only on the vehicle(s) specifically stated. RCI Metalworks makes no warranties express or implied, including of fitness for a particular purpose or merchantability. RCI Metalworks will not be liable for any damages arising out of the use or misuse of its products. It is the customers' responsibility to ensure the products are safely and properly attached to the vehicle, and all products should be installed by trained professionals. We strive to maintain extremely high quality standards; however, all RCI Metalworks products are individually handcrafted, may vary slightly, and may contain minor imperfections. Due to the nature of raw aluminum, the material may have minor scratches and other blemishes caused by the manufacturing process, especially on the back side of product. RCI Metalworks is constantly seeking to improve its products and reserves the right to make changes to any product.