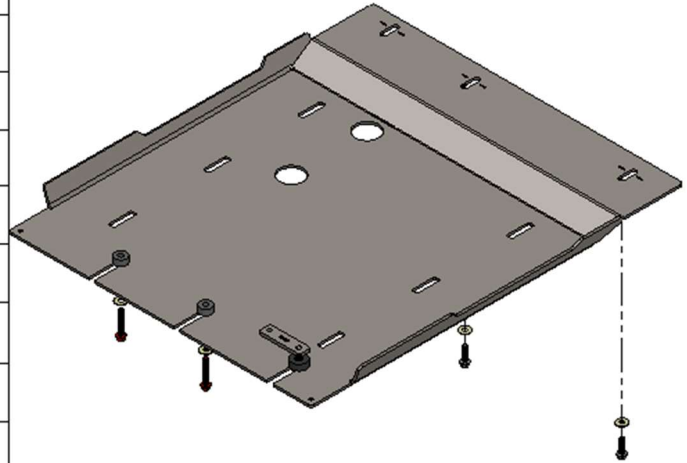


05+ Nissan Frontier Transmission Skid Plate Installation Guide

ITEM NO.	PART NUMBER	DESCRIPTION	QTY.
1	SM-00753	05 Frontier Transmission Skid	1
2	HW-00069	M8-1.25 X 50MM HEX FLANGE BOLT	2
3	HW-00037	5/16 USS FLAT WASHER ZINC	4
4	HW-00025	M8-1.25 X 30MM HEX FLANGE BOLT	2
5	HW-00012	1/2ID X 1-1/4OD X 1/2 LONG NYLON SPACER	1
6	HW-00104	Mounting Plate #2 .25MS R2	1
7	HW-00026	3/8 USS FLAT WASHER THRU HARD	1
8	HW-00088	M10-1.5 X 40MM NON SERRATED	1
9	HW-00076	3/8 ID X 1 OD X 1/2 LONG Nylon Spacer	2



RCI OFFROAD			
TITLE:			
05+ Frontier Transmission Skid Install Guide			
Item Number	SKU	REV	
BOM		1	
DO NOT SCALE DRAWING		SCALE: 1:12 WEIGHT:	SHEET 1 OF 1

Figure 1: BOM

INSTALLATION STEPS:

****Use hand tools, impact wrenches may cause damage if over torqued****

- 1) Begin by unpacking and removing all components and hardware. Please verify that all hardware and mounting components are present. Reference your original order invoice and verify all items are accounted for.
- 2) Pre-install the provided M8 x 50mm bolts with 5/16" washers and 3/8" nylon spacers as depicted below.
- 3) Pre-install the provided M10 x 40mm bolt with a 3/8" washer, 7/16" nylon spacer into the frame using the MP2 mounting plate.

**M10 x 40mm
bolts**



**M8 x 50mm
bolts**

Figure 2: Hardware pre-installed.

- 4) Slide the front of the skid plate into place so that the nylon spacers sit between the skid plate and the vehicle frame.



Figure 3: Front mounting of transmission skid.

- 5) Collect two (2) M8 x 30mm bolts with 5/16" washers and install them in the two rearmost slots that align with the threaded holes in the crossmember.
 - a. NOTE: There will be one hole that is not used in the rear. This is for compatibility with all Nissan Frontier models.

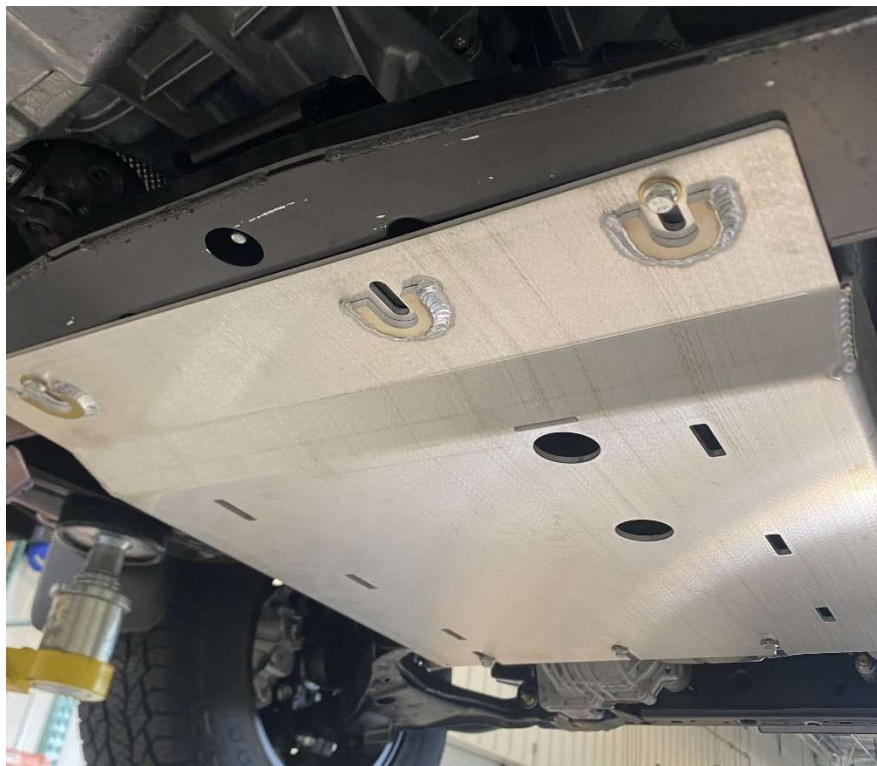


Figure 4: Rear mounting example.



- 6) Align the skid plate and fully tighten all hardware.
 - a. If installing with RCI engine skid plate, install the front of the transmission skid on top of the rear of the engine skid plate (From the ground up, engine skid-transmission skid-spacer-frame).
 - b. If installing with RCI t-case skid plate, install the rear of the transmission skid on top of the t-case skid plate. (From the ground up, transmission skid-transfer case skid-frame).



Enjoy your new RCI protection!



Share your new install with us on social media!

We love seeing our products out in the wild!

www.rcimetalworks.com

sales@rcioffroad.com

970-797-3089



Disclaimer: The products sold by RCI Metalworks are intended for off-road use only, should not be modified, and are for use only on the vehicle(s) specifically stated. RCI Metalworks makes no warranties express or implied, including of fitness for a particular purpose or merchantability. RCI Metalworks will not be liable for any damages arising out of the use or misuse of its products. It is the customers' responsibility to ensure the products are safely and properly attached to the vehicle, and all products should be installed by trained professionals. We strive to maintain extremely high quality standards; however, all RCI Metalworks products are individually handcrafted, may vary slightly, and may contain minor imperfections. Due to the nature of raw aluminum, the material may have minor scratches and other blemishes caused by the manufacturing process, especially on the back side of product. RCI Metalworks is constantly seeking to improve its products and reserves the right to make changes to any product.