

RCI 05-23 Tacoma Front Bumper Reinforcement Bracket Installation Guide

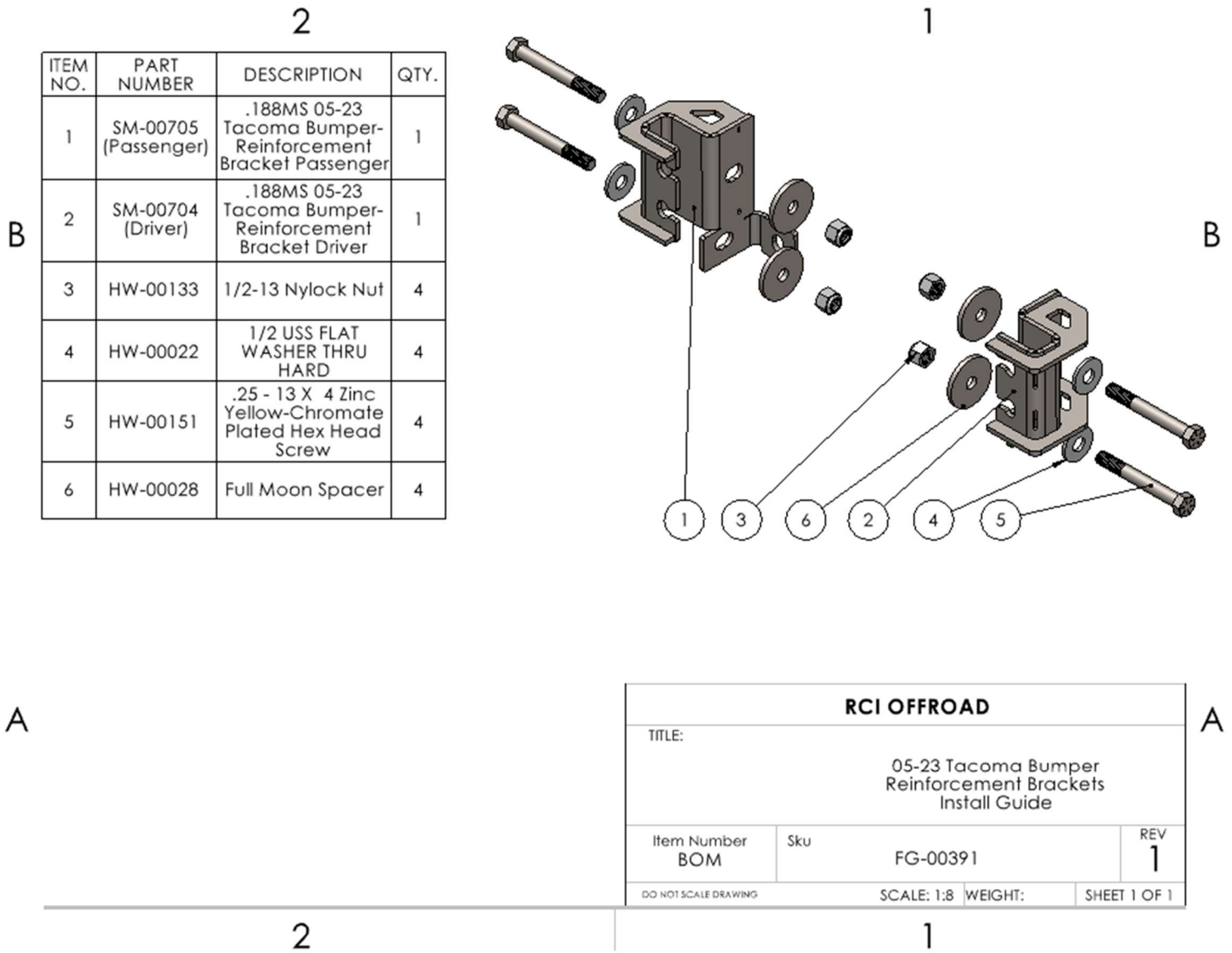


Figure 1: BOM

INSTALLATION STEPS:

****Use hand tools, impact wrenches may cause damage if over torqued****

- 1) Begin by unpacking and removing all components and hardware. Please verify that all hardware and mounting components are present. Reference your original order invoice and verify all items are accounted for.
 - a. **NOTE: The RCI Bumper Reinforcement Brackets are designed to be installed with RCI manufactured bumpers. RCI cannot guarantee fitment with any other aftermarket front bumpers.**

- 2) Remove the two (2) outside OEM mounting nuts securing the bumper along with the 0.5" x 4.5" hex bolt.

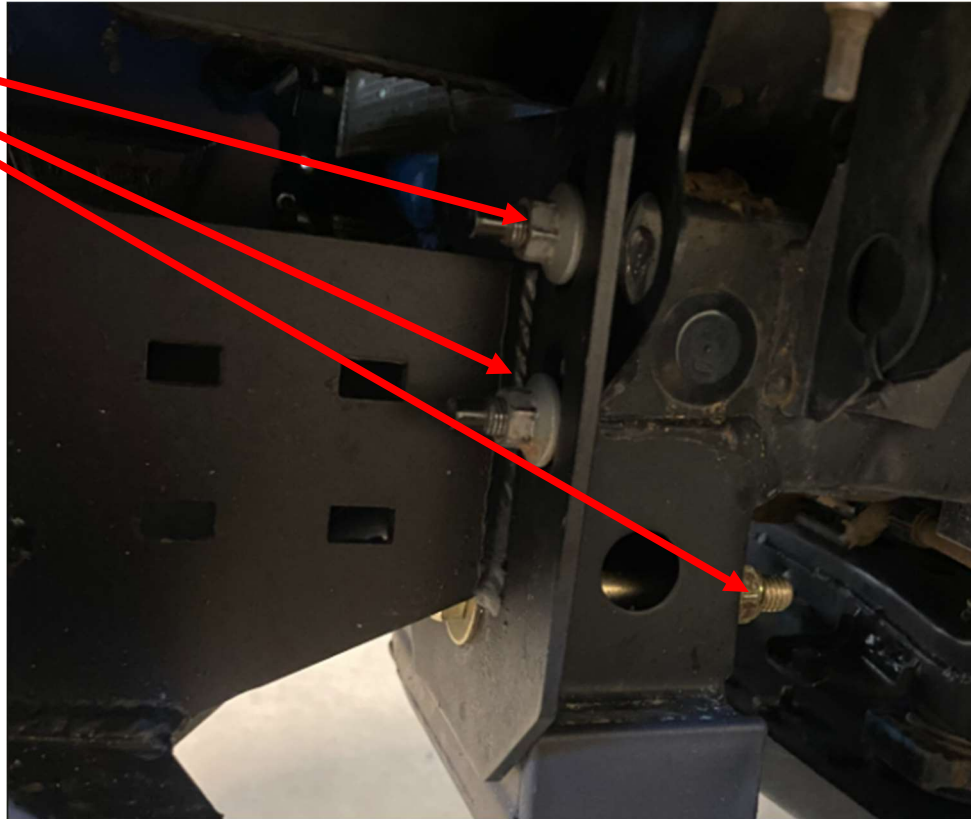


Figure 2:Mounts to remove.

3) Remove the plastic caps covering the mounting holes on the frame. (Inside & outside).



Figure 3: Plastic caps to remove.

- 4) With the hardware removed, slide the reinforcement bracket over the bumper mounting studs. Make sure the three mounting holes on the bracket align with the holes on the frame.
- 5) Reinstall the two (2) outside OEM mounting nuts and the 0.5" x 4.5" hex bolt.
- 6) Collect two (2) of the provided 0.5" x 4" hex bolts with two (2) 0.5" washers, two (2) full moon washers, and two (2) 0.5" nylock nuts.
- 7) Install the bolts through the side of the frame with the 0.5" washers installed on the outside of the frame and the full moon washers installed on the inside. Reference the figure below.

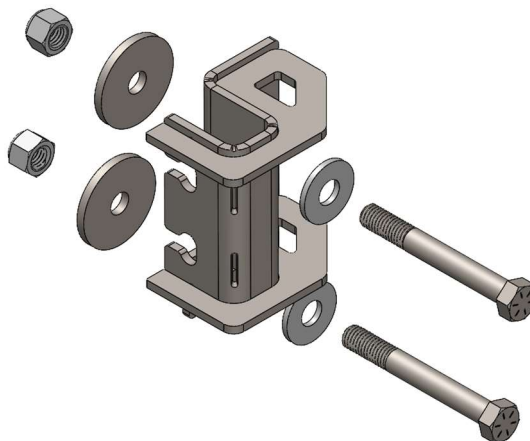


Figure 4: Correct hardware orientation.

8) Fully tighten all hardware and repeat the installation on the other side of the vehicle.

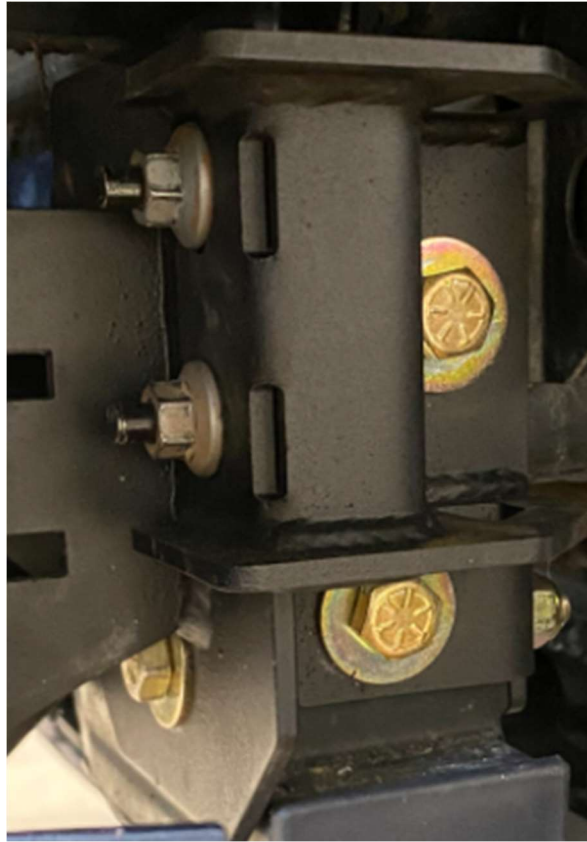


Figure 5: Correctly installed bracket.



Figure 6: Rear view of mounted bracket.



Enjoy your new RCI protection!



**Share your new install with us on social media!
We love seeing our products out in the wild!**

www.rcimetalworks.com

sales@rcioffroad.com

970-797-3089

REV: 1 | 9/29/2022



Disclaimer: The products sold by RCI Metalworks are intended for off-road use only, should not be modified, and are for use only on the vehicle(s) specifically stated. RCI Metalworks makes no warranties express or implied, including of fitness for a particular purpose or merchantability. RCI Metalworks will not be liable for any damages arising out of the use or misuse of its products. It is the customers' responsibility to ensure the products are safely and properly attached to the vehicle, and all products should be installed by trained professionals. We strive to maintain extremely high quality standards; however, all RCI Metalworks products are individually handcrafted, may vary slightly, and may contain minor imperfections. Due to the nature of raw aluminum, the material may have minor scratches and other blemishes caused by the manufacturing process, especially on the back side of product. RCI Metalworks is constantly seeking to improve its products and reserves the right to make changes to any product.