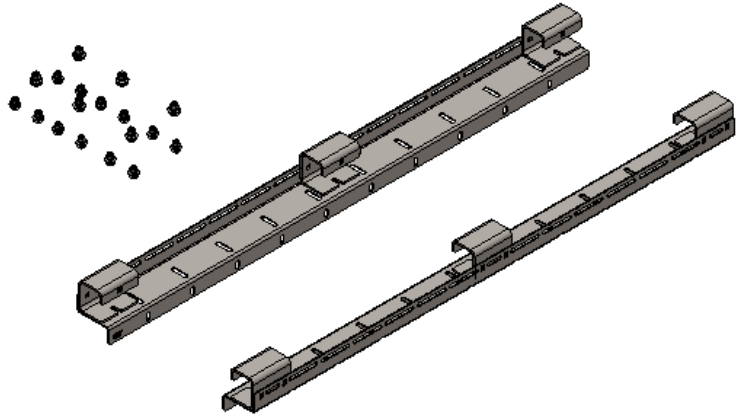


## RCI Modular Tonneau Adapter Installation Guide

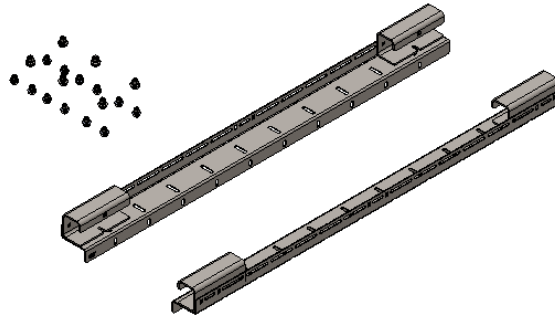
ITEM NO.	PART NUMBER	DESCRIPTION	QTY.
1	SM-00690	12ga Tonneau Plate Z-bracket 52in	2
2	SM-00294	Bedrack Tonneau Bracket 188ms	6
4	HK-00038	KIT: BED RACK TONNEAU ADAPTER	1



UNLESS OTHERWISE SPECIFIED:	<b>PROPRIETARY AND CONFIDENTIAL</b>	NAME	DATE
DIMENSIONS ARE IN INCHES TOLERANCES: FRACTIONAL $\pm 0.010$ ANGULAR: BEND $\pm 0.5$ TWO PLACE DECIMAL $\pm 0.015$ THREE PLACE DECIMAL $\pm 0.010$	THE INFORMATION CONTAINED IN THIS DRAWING IS THE SOLE PROPERTY OF RCI Offroad. ANY REPRODUCTION IN PART OR AS A WHOLE WITHOUT THE WRITTEN PERMISSION OF RCI Offroad IS PROHIBITED.	DRAWN	KL
		Export Date	
		1/25/2024	
<b>RCI OFFROAD</b>			
TITLE:			
BOM_UNIBEDRACK- TONNEAUADAPT-52HD BOM			
Item Number	FG-00372	REV	1
DO NOT SCALE DRAWING		SCALE: 1:10	WEIGHT: SHEET 1 OF 1

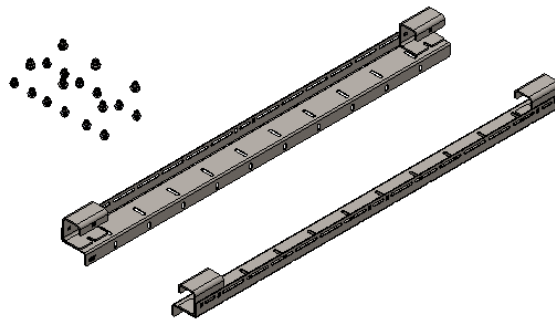
# RCI OFFROAD

ITEM NO.	PART NUMBER	DESCRIPTION	QTY.
1	SM-00690	12ga Tonneau Plate Z-bracket 52in	2
3	HK-00038	KIT: BED RACK TONNEAU ADAPTER	1
4	SM-00434	.188MS Bed Bars Bedrack Tonneau Bracket R2	4



UNLESS OTHERWISE SPECIFIED:	PROPRIETARY AND CONFIDENTIAL	DRAWN	NAME	DATE
DIMENSIONS ARE IN INCHES TOLERANCES: FRACTIONAL ±0.010 ANGULAR: BEND ±0.5 TWO PLACE DECIMAL ± 0.015 THREE PLACE DECIMAL ± 0.010	THE INFORMATION CONTAINED IN THIS DRAWING IS THE SOLE PROPERTY OF RCI OFFROAD. ANY REPRODUCTION IN PART OR AS A WHOLE WITHOUT THE WRITTEN PERMISSION OF RCI OFFROAD IS PROHIBITED.	KL		01/23/24
		Export Date		
<b>RCI OFFROAD</b>				
TITLE:				
BOM_UNIBEDRACK-TONNEAUADAPT-52BB9 BOM				
Item Number			REV	
FG-00379			1	
DO NOT SCALE DRAWING		SCALE: 1:10 WEIGHT:		SHEET 1 OF 1

ITEM NO.	PART NUMBER	DESCRIPTION	QTY.
1	SM-00690	12ga Tonneau Plate Z-bracket 52in	2
2	SM-00294	Bedrack Tonneau Bracket 188ms	4
4	HK-00038	KIT: BED RACK TONNEAU ADAPTER	1

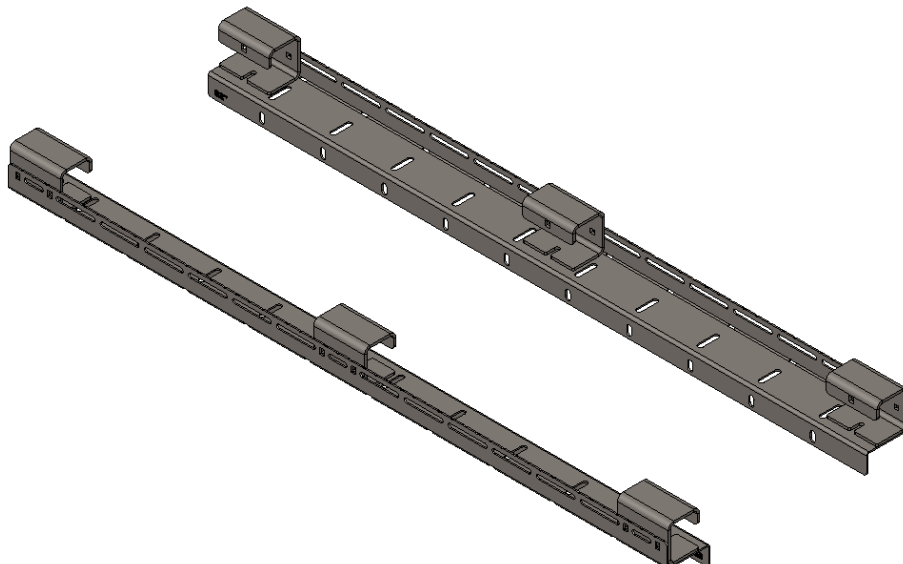
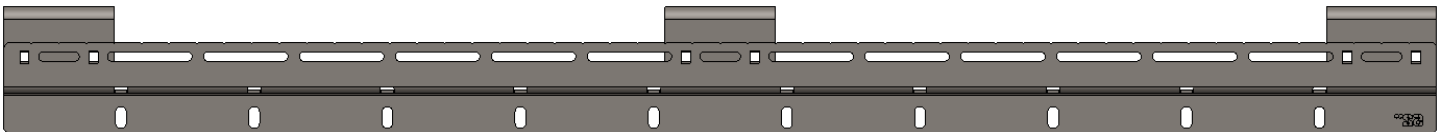


UNLESS OTHERWISE SPECIFIED:	PROPRIETARY AND CONFIDENTIAL	DRAWN	NAME	DATE
DIMENSIONS ARE IN INCHES TOLERANCES: FRACTIONAL ±0.010 ANGULAR: BEND ±0.5 TWO PLACE DECIMAL ± 0.015 THREE PLACE DECIMAL ± 0.010	THE INFORMATION CONTAINED IN THIS DRAWING IS THE SOLE PROPERTY OF RCI OFFROAD. ANY REPRODUCTION IN PART OR AS A WHOLE WITHOUT THE WRITTEN PERMISSION OF RCI OFFROAD IS PROHIBITED.	KL		01/23/24
		Export Date		
<b>RCI OFFROAD</b>				
TITLE:				
BOM_UNIBEDRACK-TONNEAUADAPT-52SP BOM				
Item Number			REV	
FG-00376			1	
DO NOT SCALE DRAWING		SCALE: 1:10 WEIGHT:		SHEET 1 OF 1

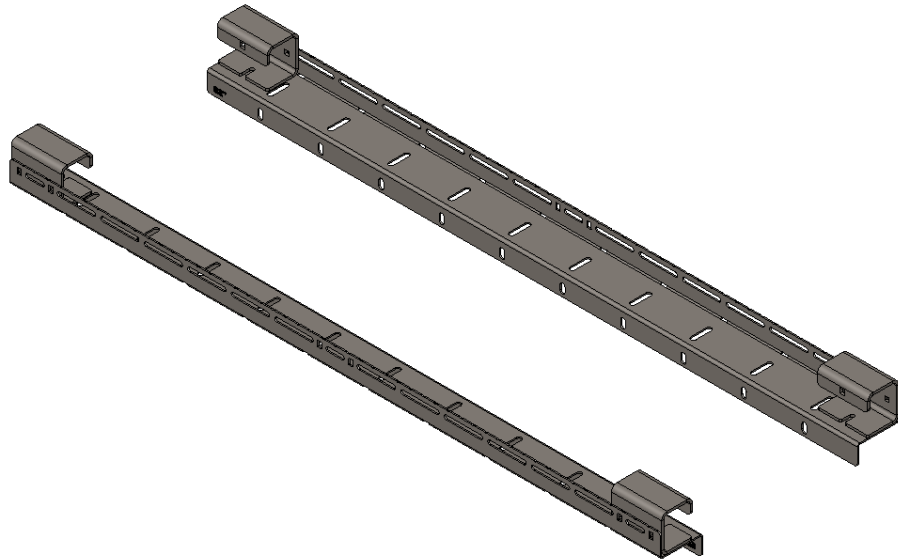
## INSTALLATION STEPS:

**\*\*Use hand tools, impact wrenches may cause damage if over torqued\*\***

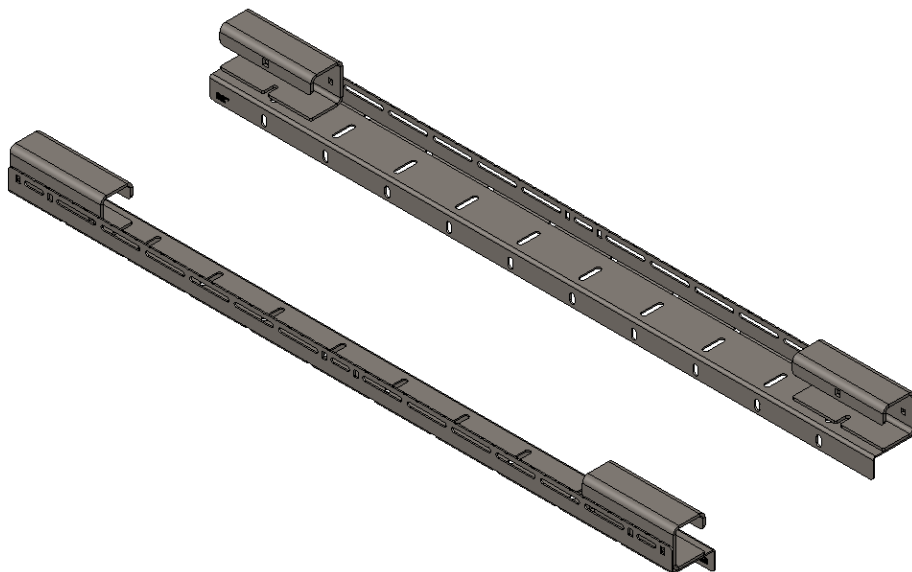
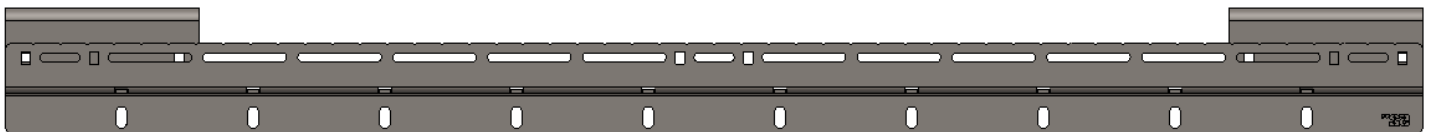
- 1) Begin by unpacking and removing all components and hardware. The RCI Tonneau Adapter Kit comes in several configurations; please confirm that all included components correspond with the kit ordered.
  - a. Hardware Kit: All Tonneau Adapter Kits include the same hardware.
  - b. Thin Tonneau Adapter “Z Bracket”: The RCI Tonneau Adapter Kit comes in 3 length configurations (46”, 52”, 58”). Please verify that the Z brackets received correspond with the length of the adapter kit ordered.
  - c. Thick Tonneau Adapter “C Bracket”: The RCI Tonneau Adapter Kit can include different quantities and sizes of C brackets depending on the kit.
    - i. HD Tonneau Adapter Kit: six small C brackets measuring 4 inches in width.
    - ii. Sport Tonneau Adapter Kit: four small C Brackets measuring 4 inches in width.
    - iii. 9” Bed Bar Tonneau Adapter Kit: four large C Brackets measuring 7+1/8 inches in width.
  
- 2) If a tonneau cover is already installed on the truck, please uninstall the tonneau cover.
  
- 3) Install the included C brackets on each of the included Z brackets using the included 5/16” carriage bolts, washers, and nuts.
  - a. HD Tonneau Adapter Kit: Align each of the included C brackets with the corresponding vertical rectangular slots in the Z brackets and secure with included hardware.



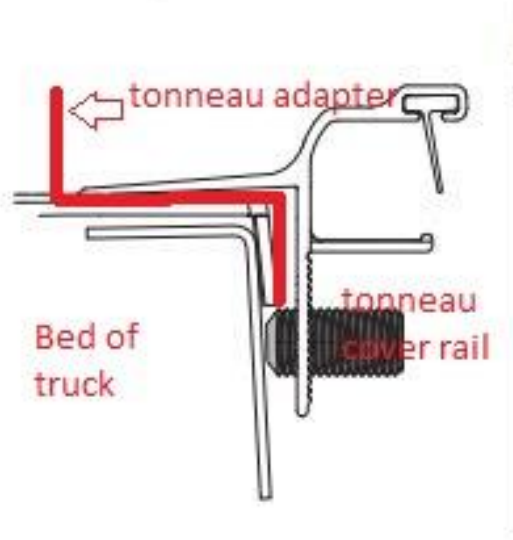
- b. Sport Tonneau Adapter Kit: Align each of the included C brackets with the corresponding vertical rectangular slots at the ends of the Z brackets and secure with included hardware.



- c. 9" Bed Bar Tonneau Adapter Kit: Align the included C brackets with the slots of the Z brackets. Install at desired locations.



- 4) Place the assembled Tonneau Adapter Kit brackets on the bed rails of the vehicle.
- 5) Adjust the assembled Tonneau Adapter Kit brackets on the bed rails to be as aligned with the mounting points of the tonneau cover as possible. Ensure that the Tonneau Adapter Kit brackets are evenly spaced on either side of the vehicle bed.
  - a. Because the RCI Tonneau Adapters are secured by the clamping pressure of the tonneau cover and are not directly hard mounted to the vehicle, alignment of the Tonneau Adapter Kit assembly with the mounting points of the tonneau cover is critical for secure installation.
    - i. The RCI Tonneau Adapter Kit is intended for light use. If you intend to use the RCI Tonneau Adapter Kit off-road, particularly in high-stress/high dynamic load situations, secure the Tonneau Adapters to the bed rails utilizing the included slots on the vertical and horizontal faces of the Z brackets by drilling a hole and using your desired nut and bolt combo or self-threading bolts.
- 6) Refer to the manufacturer's installation guide to install the tonneau cover with the Tonneau Adapters in place.



- 7) Refer to the RCI Adjustable Bed Rack or 9" Bed Bar installation guide to install.
  - a. When placing the leg and crossmember assemblies onto the vehicle in step 3 of either installation guide, loosely secure them to the C brackets using the included 3/8" carriage bolts, washers, and nuts.



8) Tighten all hardware.

**\*\* Due to the high variability between tonneau cover systems, RCI accepts no responsibility for improper use and/or any damage that occurs due to insufficient or improper installation\*\***





**Enjoy your new RCI Tonneau Adapter Kit and Bed System!**



**Share your new install with us on social media!**

**We love seeing our products out in the wild!**

**[www.rcimetalworks.com](http://www.rcimetalworks.com)**

**[sales@rcioffroad.com](mailto:sales@rcioffroad.com)**

**970-797-3089**

REV: 1 | 9/29/2022



Disclaimer: The products sold by RCI Metalworks are intended for off-road use only, should not be modified, and are for use only on the vehicle(s) specifically stated. RCI Metalworks makes no warranties express or implied, including of fitness for a particular purpose or merchantability. RCI Metalworks will not be liable for any damages arising out of the use or misuse of its products. It is the customers' responsibility to ensure the products are safely and properly attached to the vehicle, and all products should be installed by trained professionals. We strive to maintain extremely high quality standards; however, all RCI Metalworks products are individually handcrafted, may vary slightly, and may contain minor imperfections. Due to the nature of raw aluminum, the material may have minor scratches and other blemishes caused by the manufacturing process, especially on the back side of product. RCI Metalworks is constantly seeking to improve its products and reserves the right to make changes to any product.