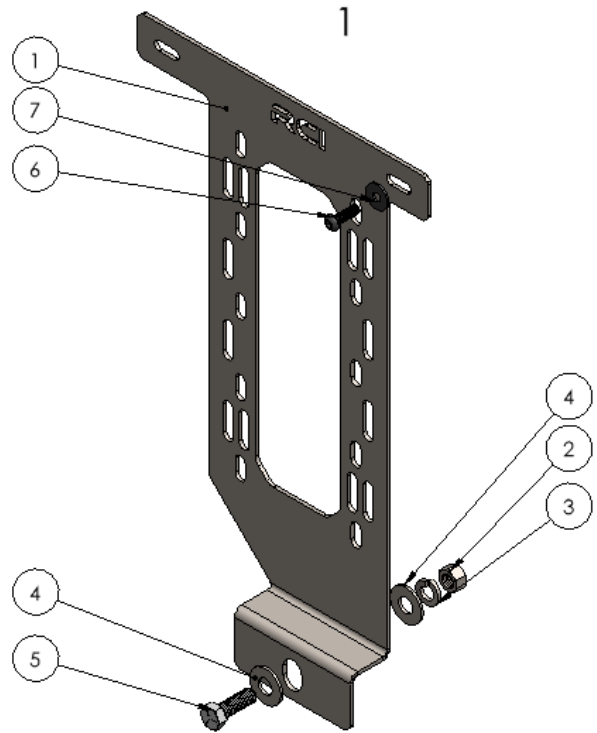


RCI 16-23 Tacoma Winch Control Box Relocation Bracket Installation Guide

ITEM NO.	PART NUMBER	DESCRIPTION	QTY.
1	SM-00555	16+ Tacoma Winch Control Box Relocation Bracket	1
2	HW-00030	3/8-16 FIN HEX NUT GR-5 ZINC	1
3	HW-00029	3/8 SPLIT LOCK WASHER ZINC	1
4	HW-00026	3/8 USS FLAT WASHER THRU HARD	2
5	HW-00064	3/8-16 X 1-1/8 HEX CAP SCREW	1
6	HW-00094	M6-1.0 X 20MM BUTTON SOC CAP	1
7	HW-00019	1/4 SAE FLAT WASHER BLK ZINC	1



NAME		DATE	RCI OFFROAD	
DRAWN	GM	12/13/23	TITLE: 16+ Tacoma Winch Control Box Relocation Bracket Install Guide	
SOURCE	Hitech			
PROPRIETARY AND CONFIDENTIAL THE INFORMATION CONTAINED IN THIS DRAWING IS THE SOLE PROPERTY OF RCI OFFROAD. ANY REPRODUCTION IN PART OR AS A WHOLE WITHOUT THE WRITTEN PERMISSION OF RCI OFFROAD IS PROHIBITED.			Export Date	REV
			12/27/2023	1
			DO NOT SCALE DRAWING	SHEET 1 OF 1

Figure 1: BOM

INSTALLATION STEPS:

****Use hand tools, impact wrenches may cause damage if over torqued****

- 1) Begin by unpacking and removing all components and hardware. Please verify that all hardware and mounting components are present. Reference your original order invoice and verify all items are accounted for.
- 2) Remove the grille from the vehicle.
 - a. Remove the two mounting screws and two clips securing the grille.
 - b. If applicable, disconnect the ACC sensor.
 - c. To finish the removal, tug on the grille to release the clips holding it in place.

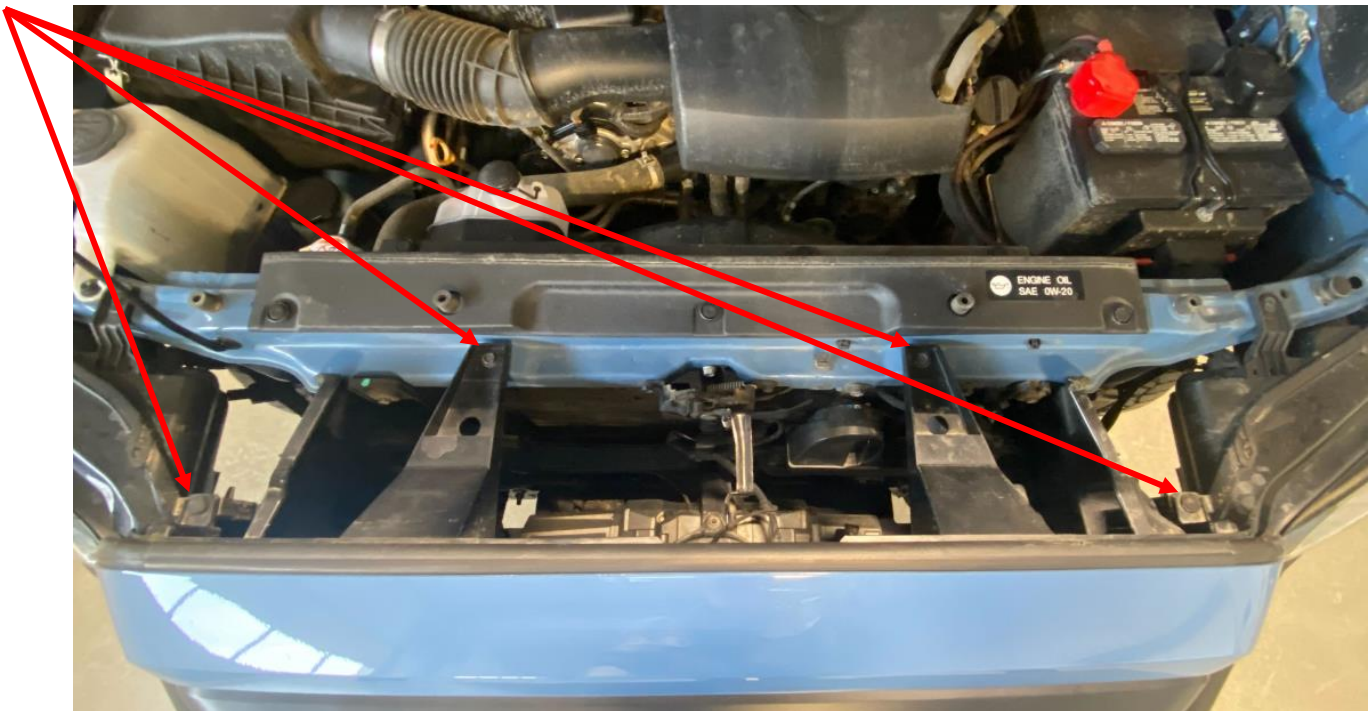


Figure 2: Fastener Locations.

3) Unthread the fastener depicted below and save for installation process.



Figure 3: Fastener to be Removed.

- 4) Collect all provided hardware. Install the RCI component behind the black bracket and reuse the fastener removed in step 3. Mount the M6 button head bolt with a black washer into the threaded hole on the vehicle that aligns with the hole on the relocation bracket.
- 5) Next mount the 3/8" bolt in the lowest mounting hole with a washer, lock washer and nut on the back of the crossmember.



Figure 4: Correct Installation of Relocation Bracket.

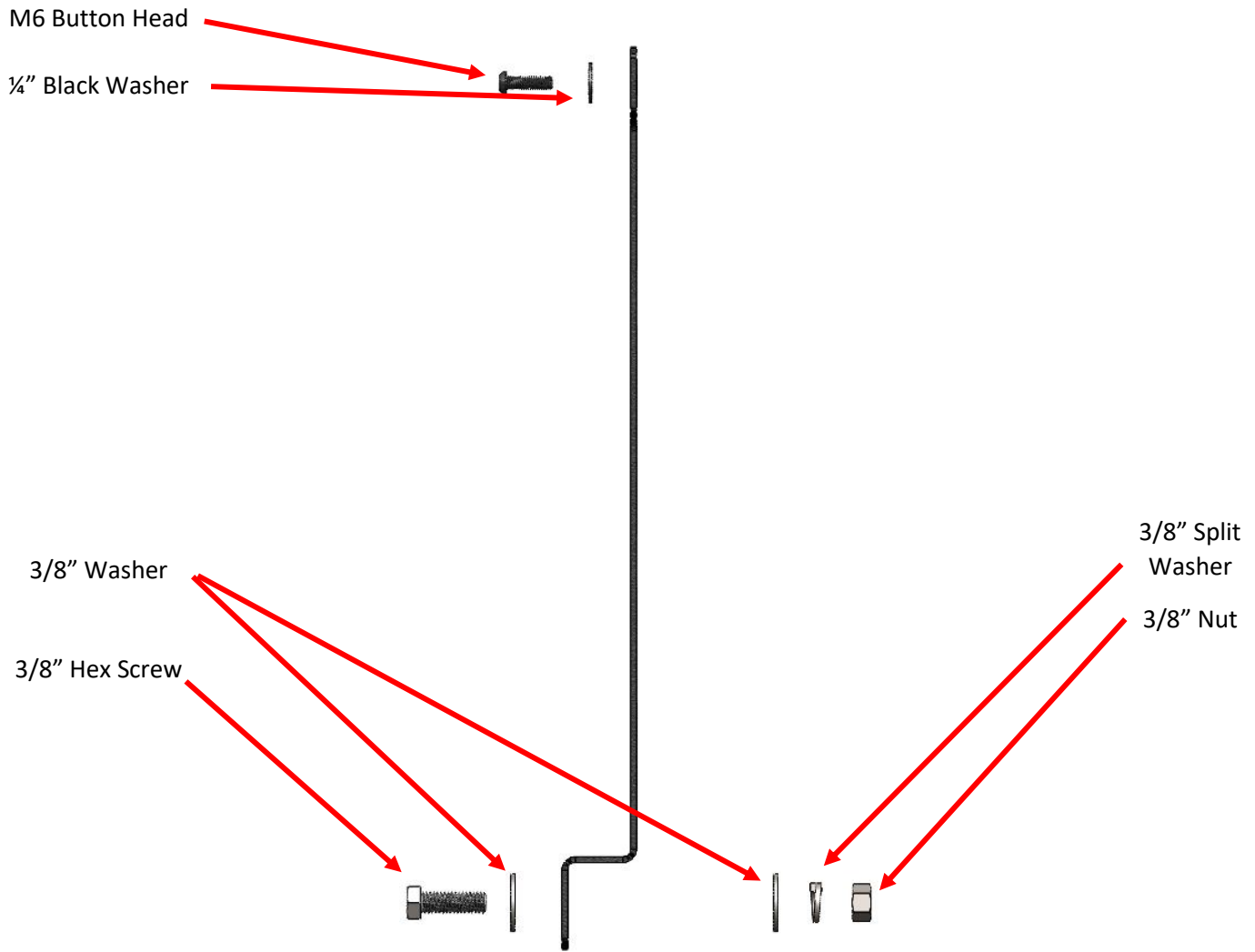


Figure 5: Hardware Orientation.

- 6) Install the winch control box using the numerous slots in the relocation bracket. More hardware may need to be purchased depending on the type of winch being installed. Below is an example installation of a Warn control box.



Figure 6: Example Mounting Possibility.



Enjoy your new RCI protection!



Share your new install with us on social media!

We love seeing our products out in the wild!

www.rcimetalworks.com

sales@rcioffroad.com

970-797-3089

REV: 1 | 9/29/2022



Disclaimer: The products sold by RCI Metalworks are intended for off –road use only, should not be modified, and are for use only on the vehicle(s) specifically stated. RCI Metalworks makes no warranties express or implied, including of fitness for a particular purpose or merchantability. RCI Metalworks will not be liable for any damages arising out of the use or misuse of its products. It is the customers' responsibility to ensure the products are safely and properly attached to the vehicle, and all products should be installed by trained professionals. We strive to maintain extremely high quality standards; however, all RCI Metalworks products are individually handcrafted, may vary slightly, and may contain minor imperfections. Due to the nature of raw aluminum, the material may have minor scratches and other blemishes caused by the manufacturing process, especially on the back side of product. RCI Metalworks is constantly seeking to improve its products and reserves the right to make changes to any product.