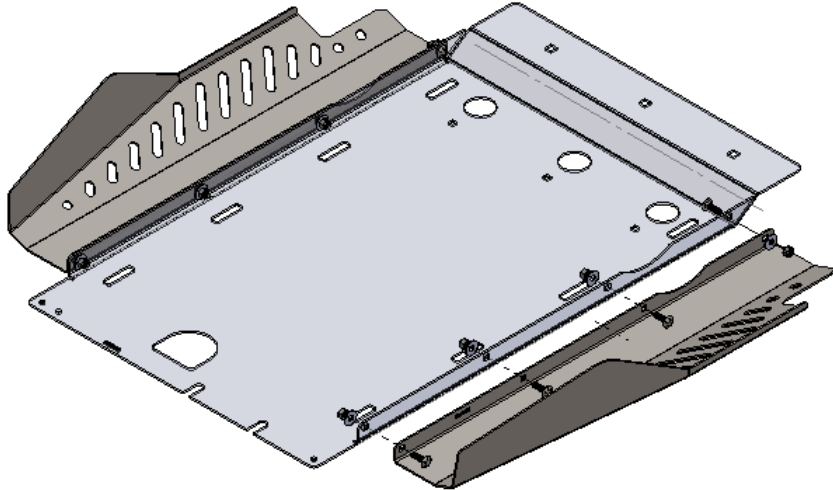


RCI 19+ RAM 1500 Catalytic Guard Install Guide

ITEM NO.	PART NUMBER	DESCRIPTION	QTY.					
1	19+ RAM 1500 CatGuard	Passenger + Driver	1					
2	5/16 X 1 Carriage Bolt	Hardware	8					
3	5/16" Steel Flat Washer	Hardware	8					
4	5/16"- Nyloc Nut	Hardware	8					
<p><small>UNLESS OTHERWISE SPECIFIED:</small></p> <p><small>DIMENSIONS ARE IN INCHES</small></p> <p><small>TOLERANCES:</small></p> <p><small>FRACTIONAL ±0.010</small></p> <p><small>ANGULAR: BEND ±0.5</small></p> <p><small>TWO PLACE DECIMAL ± 0.015</small></p> <p><small>THREE PLACE DECIMAL ± 0.010</small></p> <p>PROPRIETARY AND CONFIDENTIAL</p> <p><small>THE INFORMATION CONTAINED IN THIS DRAWING IS THE SOLE PROPERTY OF RCI Offroad. ANY REPRODUCTION IN PART OR AS A WHOLE WITHOUT THE WRITTEN PERMISSION OF RCI Offroad IS PROHIBITED.</small></p>				<small>DRAWN</small>	<small>NAME</small>	<small>DATE</small>	RCI OFFROAD	
				<small>SOURCE</small>	HTEch	7/17/23	<small>TITLE:</small>	
<p style="text-align: center;">Export Date</p> <p style="text-align: center;">7/20/2023</p>				<small>Item Number</small>		<small>Sku</small>	<small>REV</small>	
				BOM			1	
				<small>DO NOT SCALE DRAWING</small>		<small>SCALE: 1:7</small>	<small>WEIGHT:</small>	<small>SHEET 1 OF 7</small>

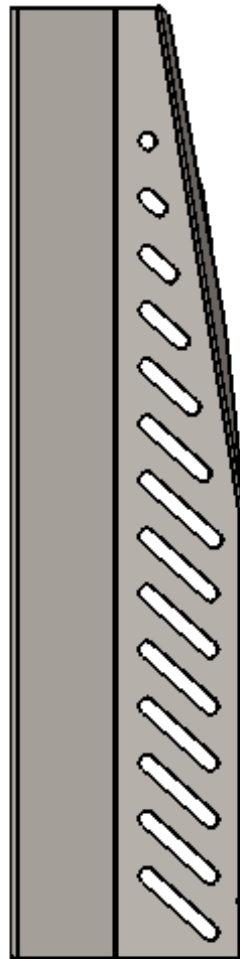
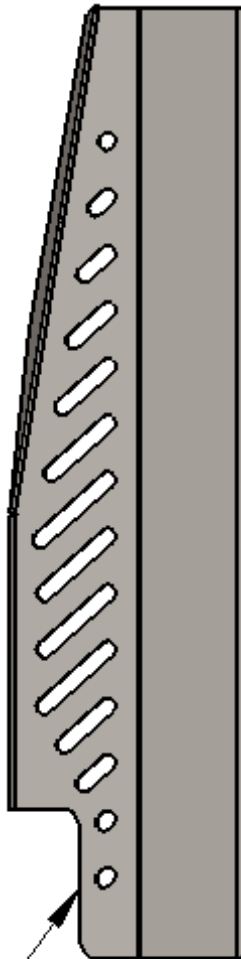
INSTALLATION STEPS:

****Use hand tools, impact wrenches may cause damage if over torqued.****

- 1) Begin by unpacking and removing all components and hardware. Please verify that all hardware and mounting components are present. Reference your original order invoice and verify all items are accounted for.
 - a. **PLEASE NOTE:** An RCI 19+ RAM 1500 transmission skid plate is required for use with this kit, but one is **NOT** Supplied
 - b. Please verify that you have the correct CatGuard for your truck model.

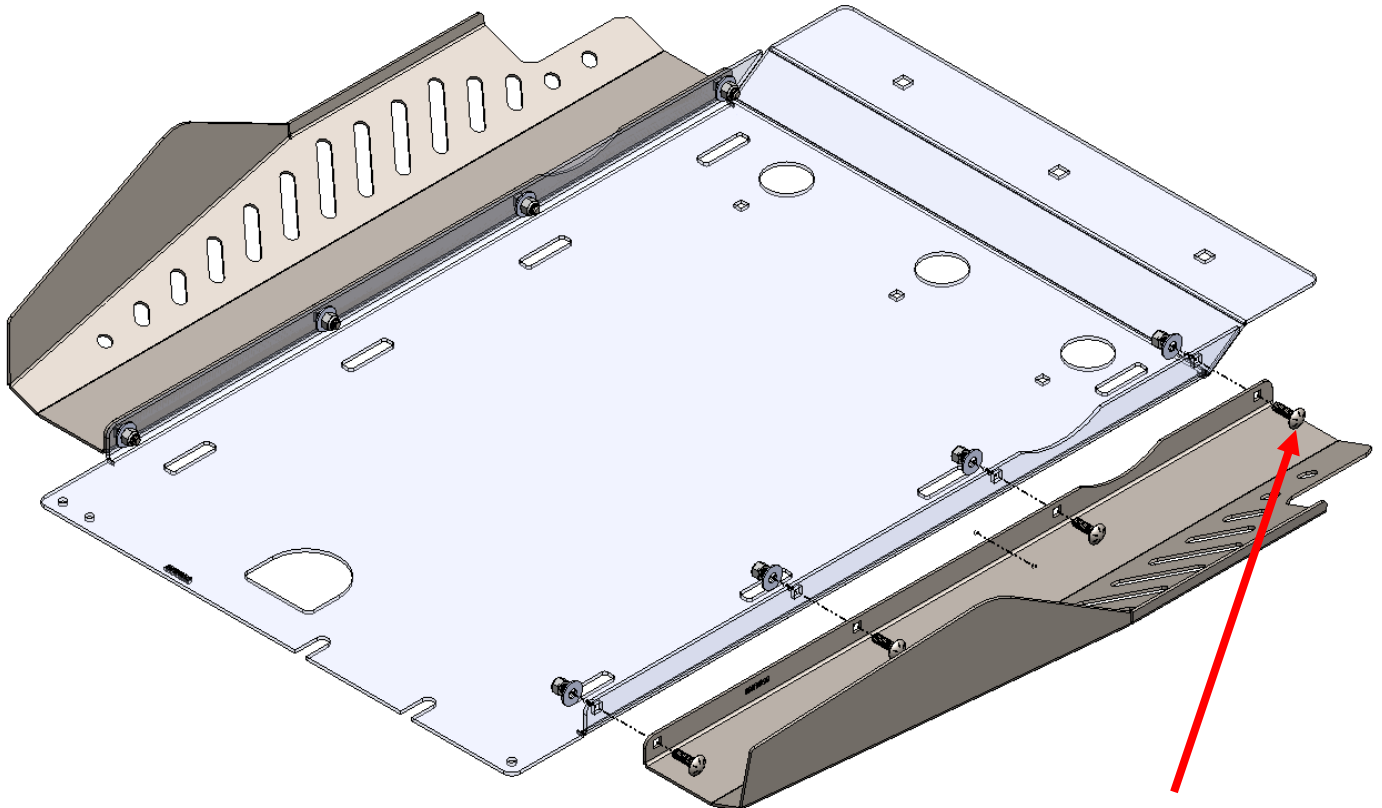
EcoDiesel

Non-EcoDiesel



EcoDiesel has this cutout
Non-EcoDiesel does not

- 2) If an RCI transmission skid plate is currently installed on the vehicle, it will need to be removed prior to the beginning of this installation. The catalytic guards from RCI are designed to be theft resist and prohibit removal while the transmission skid plate is fully installed.
- 3) Using the included hardware, secure the catalytic guards to the transmission skid plate as shown below:



For installation on a EcoDiesel equipped vehicle, do not install the rear-most hardware on either the passenger or driver sides. This will be covered in the transmission skid plate installation guide.

- 4) Follow the steps outlined in the RCI 19+ RAM 1500 Transmission Skid Plate installation guide to install the transmission skid plate and catalytic guard assembly on the vehicle.



Enjoy your new RCI protection!



Share your new install with us on social media!

We love seeing our products out in the wild!

www.rcimetalworks.com

sales@rcioffroad.com

970-797-3089

REV: 1 | 9/29/2022



Disclaimer: The products sold by RCI Metalworks are intended for off –road use only, should not be modified, and are for use only on the vehicle(s) specifically stated. RCI Metalworks makes no warranties express or implied, including of fitness for a particular purpose or merchantability. RCI Metalworks will not be liable for any damages arising out of the use or misuse of its products. It is the customers' responsibility to ensure the products are safely and properly attached to the vehicle, and all products should be installed by trained professionals. We strive to maintain extremely high quality standards; however, all RCI Metalworks products are individually handcrafted, may vary slightly, and may contain minor imperfections. Due to the nature of raw aluminum, the material may have minor scratches and other blemishes caused by the manufacturing process, especially on the back side of product. RCI Metalworks is constantly seeking to improve its products and reserves the right to make changes to any product.