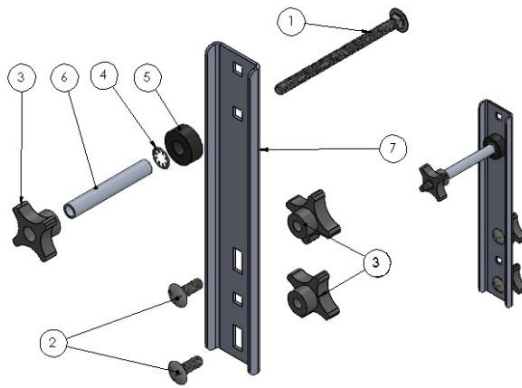


# Front Bike Tire Mount Installation

ITEM NO.	PART NUMBER	QTY.
1	3/8 x 5.5 Carriage Bolt	1
2	3/8 x 1 Carriage Bolt	2
3	3/8-16 Knob	3
4	3/8 retaining washer	1
5	Nylon Spacer	1
6	Aluminum Spacer	1
7	Front Bike Tire Holder	1



Front bike tire mount can be installed on either side of bed rack, ideally install it behind the bike.

1. Prepare the mount to be installed on the bed rack by inserting the long 3/8-inch carriage bolt (1) into the bracket. Next install the nylon spacer (5) and then the retaining washer (4). Use the aluminum spacer (6) and a hammer to seat the retaining washer to flush to the nylon spacer. It may be necessary to stack a socket on the aluminum spacer in order to get the washer flush.



2. Use the two short 3/8 carriage bolts (2) and threaded knobs (3) to install the assembly to the bed rack.
3. Slide the aluminum spacer (6) on the long 3/8 carriage bolt (1) then slide the tire over the aluminum spacer. Finally use the last threaded knob (3) to secure the bike tire to the mount.
4. Fully tighten all hardware and you are ready to hit the trails!



5. To deploy the RTT the tire will need to be removed. The mount will need to be rotated 90 degrees. Loosen the lower threaded knob, remove the bolt directly above the loosened one then rotate the assembly 90 degrees, re-install the short 3/8 bolt and knob.



Disclaimer: The products sold by RCI Metalworks are intended for off-road use only, should not be modified, and are for use only on the vehicle(s) specifically stated. RCI Metalworks makes no warranties express or implied, including of fitness for a particular purpose or merchantability. RCI Metalworks will not be liable for any damages arising out of the use or misuse of its products. It is the customers' responsibility to ensure the products are safely and properly attached to the vehicle, and all products should be installed by trained professionals. We strive to maintain extremely high quality standards; however, all RCI Metalworks products are individually handcrafted, may vary slightly, and may contain minor imperfections. Due to the nature of raw aluminum, the material may have minor scratches and other blemishes caused by the manufacturing process, especially on the back side of product. RCI Metalworks is constantly seeking to improve its products and reserves the right to make changes to any product.